

# IFD8500-A

EN Instruction Sheet  
TR Bilgi Dökümanı  
TW 安裝說明  
CN 安裝說明



5014061302  
2022-05-16



[www.deltaww.com](http://www.deltaww.com)



- EN ✘ This is an OPEN TYPE module and therefore should be installed in an enclosure free of airborne dust, humidity, electric shock and vibration. The enclosure should prevent non-maintenance staff from operating the device (e.g. key or specific tools are required for operating the enclosure) in case danger and damage on the device may occur.
- FR ✘ Ceci est un module ouvert et il doit donc être installé dans un coffret à l'abri des poussières, des vibrations et ne pas être exposé aux chocs électriques. Le boîtier ou l'armoire doit éviter toute action d'un personnel autre que celui affecté à la maintenance de l'appareil (par exemple, clefs, outils spécifiques pour l'ouverture du coffret), ceci afin d'éviter tout accident corporel ou endommagement du produit).
- TR ✘ Bu ürün AÇIK TİP bir modül olup toz, rutubet, elektrik şoku ve titreşimden uzak kapalı yerlerde muhafaza edilmelidir. Yanlış kullanım sonucu ürünün zarar görmesini önlemek için yetkili olmayan kişiler tarafından ürüne müdahale edilmesini önleyecek koruyucu önlemler alınmalıdır. (Ürünün bulunduğu panoya kilit konulması gibi).
- TW ✘ 本機為開放型 (OPEN TYPE) 機種，因此使用者使用本機時，必須將之安裝於具防塵、防潮及免於電擊/衝擊意外之外殼配線箱內。另必須具備保護措施 (如：特殊之工具或鑰匙才可打開) 防止非維護人員操作或意外衝擊本體，造成危險及損壞。
- CN ✘ 本机为开放型 (OPEN TYPE) 机种，因此使用者使用本机时，必须将其安装于具防尘、防潮及免于电击/冲击意外的外壳配线箱内。另必须具备保护措施 (如：特殊的工具或钥匙才可打开) 防止非维护人员操作或意外冲击本体，造成危险及损坏。

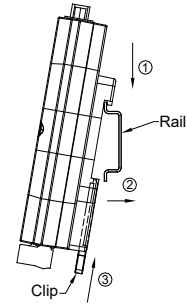
EN Assembly TR Montaj TW 安裝 CN 組裝

EN Place the device onto the rail in the direction of the arrow 1 shown, and gently push it down in the direction of the arrow 2 shown. After that pull the rail clip up to lock the device onto the rail. To remove the device, pull the rail clip down with a flat screwdriver and gently remove the device from the DIN rail.

TR Aygıtı 1 no'lu ok yönünde gösterildiği gibi raya yerleştirin ve 2 no'lu ok yönünde gösterildiği gibi yavaşça bastırınız. Ardından aygıtı ray üzerine kilitlemek için ray klipsini yukarı itin. Aygıtı çıkarmak için düz bir tornavida ile sabitleme klipsini aşağı çekin ve DIN raydan aygıtı yavaşça çıkartınız.

TW 將機器後方勾槽依 1 號箭頭方向掛上鋁軌並依 2 號箭頭方向往鋁軌壓，將下方鋁軌固定扣扣上，即完成。欲取下機器時，以一字形起子先將鋁軌固定扣撐開，再將機器往外向上的方式取出即可。

CN 将机器后方勾槽依 1 号箭头方向挂上铝轨并依 2 号箭头方向往铝轨压，将下方铝轨固定扣扣上，即完成。欲取下机器时，以一字形起子先将铝轨固定扣撑开，再将机器以往外向上的方式取出即可。

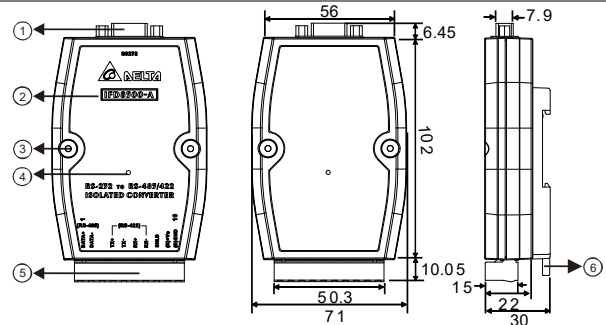


EN Dimensions(mm) & Product Profile

TR Ölçüler(mm) & Ürün Görünüşü

TW 尺寸 (mm) 及產品外觀

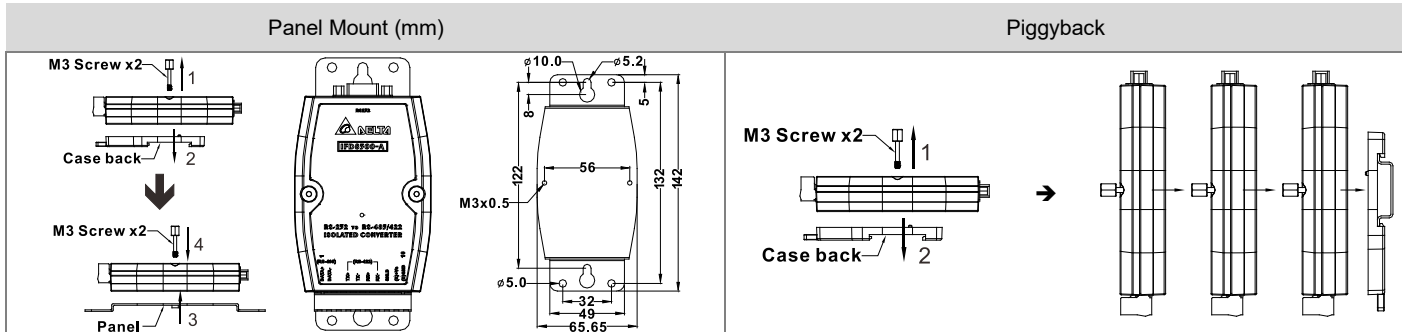
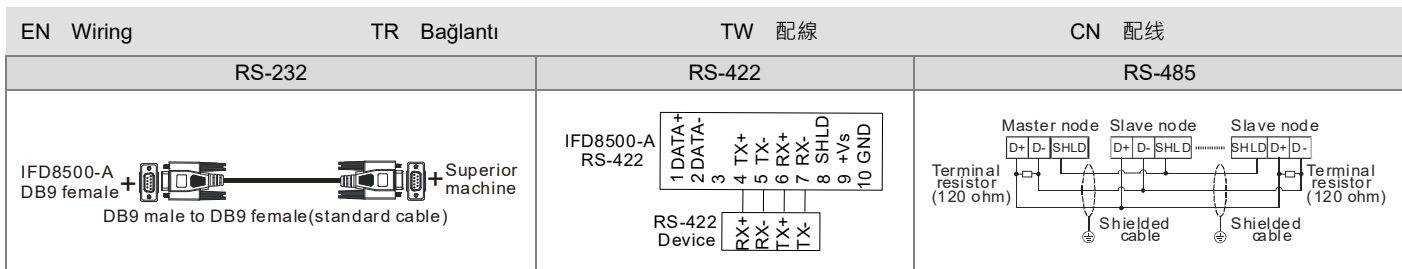
CN 尺寸 (mm) 及產品外觀



EN	TR	TW	CN
1 RS-232 port (DB9)	RS-232 port (DB9)	RS-232 連接埠 (DB9)	RS-232 端口 (DB9)
2 Model name	Model adı	機種名稱	机种名称
3 M3 special screw	M3 özel vida	M3 特殊螺絲	M3 特殊螺丝
4 LED indicator	LED gösterge	LED 指示燈	LED 指示灯
5 RS-485/RS-422 & Power terminal	RS-485/RS-422 & Güç terminali	RS-485/RS-422 & 電源輸入端子台	RS-485/RS-422 & 电源输入端子台
6 DIN rail clip	DIN ray klipsi	鋁軌固定扣	铝轨固定扣

EN Specification	TR Spesifikasyonu	TW 產品規格	CN 产品规格
Power supply/Güç Besleme/電源需求/电源需求		+9V ~ +48VDC	
Power consumption/Güç Tüketimi/消耗功率/消耗功率		0.4W	
Operation Tem./Çalışma Sıcaklığı/操作溫度/操作溫度		-20°C ~ 65°C	
Storage Tem./Saklama Sıcaklığı/儲存溫度/儲存溫度		-40°C ~ 70°C	
Isolated Voltage/İzolasyon Voltajı/隔離電壓/隔离电压		5000VAC	
Baud rate/Baud rate/傳輸速度/传输速度		Up to 115200 bps (Auto)	
Propagation delay/Propagasyon Gecikmesi/傳輸延遲/传输延迟		<2.5 us	
Weight/Ağırlık/重量/重量		122g	

EN Pin definition	TR Pin açıklama	TW 接腳定義	CN 接腳定義
RS-232 (DB9)		RS-485/RS-422 & Power Input (10-PIN Terminal)	
Pin 2 TX	Pin 5 Signal GND	Pin 1 RS-485 DATA+	Pin 5 RS-422 TX-
Pin 3 RX	Pin 9 NC	Pin 2 RS-485 DATA-	Pin 6 RS-422 RX+
NOTE: Pin 1-4-6 and Pin 7-8 is short-circuited on the PCB.		Pin 3 NC	Pin 7 RS-422 RX-
		Pin 4 RS-422 TX+	Pin 8 SHLD



Part Name	有毒物质-Hazardous Substances						台達電子工業股份有限公司 機電事業群 地址：33068 桃園市桃園區興隆路 18 號 電話：886-3-3626301 傳真：886-3-3716301	Industrial Automation Headquarters Delta Electronics, Inc. Taoyuan Technology Center No.18, Xinglong Rd., Taoyuan District, Taoyuan City, 33068, Taiwan TEL: 886-3-362-6301 / FAX: 886-3-371-6301
	鉛 (Pb)	汞 (Hg)	鎘 (Cd)	六价铬 (Cr VI)	多溴联苯 (PBB)	多溴二苯醚 (PBDE)		
金属部件 Metal Part	X	O	O	O	O	O	中达电通股份有限公司 地址：上海市浦东新区区民路 238 号 邮编：201209 电话：(021) 5863-5678 传真：(021) 5863-0003	Delta Greentech (China) Co., Ltd. 238 Min-Xia Road, Pudong District, Shanghai, P.R.C. 201209 TEL: 86-21-5863-5678 / FAX: 86-21-5863-0003
塑料部件 Plastic Part	O	O	O	O	O	O		
电子件 Electronic	X	O	O	O	O	O	沈阳 电话:(024)2334-1160 济南 电话:(0531)8690-6277 杭州 电话:(0571)8882-0610 重庆 电话:(023)8806-0306 乌鲁木齐 电话:(0991)4678-141 天津 电话:(022)2301-5082	
触点 Contacts	O	O	X	O	O	O		
线缆和线缆附件 Cable & Cabling accessories	X	O	O	O	O	O	哈尔滨 电话:(0451)5366-5568 太原 电话:(0351)4039-485 合肥 电话:(0551)6281-6777 昆明 电话:(0871)6313-7362 兰州 电话:(0931)6406-725 南京 电话:(025)8334-6585	
电池 Battery	O	O	O	O	O	O		
<p>本表格依据 SJ/T 11364 的规定编制。 O：表示该有害物质在该部件所有均质材料中的含量均在 GB/T 26572 规定的限量要求以下。 X：表示该有害物质至少在该部件的某一均质材料中的含量超出 GB/T 26572 规定的限量要求。</p> <p>This table is made according to SJ/T 11364. O: Indicates that the concentration of hazardous substance in all of the homogeneous materials for this part is below the limit as stipulated in GB/T 26572. X: Indicates that concentration of hazardous substance in at least one of the homogeneous materials used for this part is above the limit as stipulated in GB/T 26572.</p>								<p>呼尔浩特 电话:(0471)6297-808 石家庄 电话:(0311)8666-7337 南昌 电话:(0791)8625-5010 厦門 电话:(0592)5313-601 貴陽 电话:(0851)8690-1374 福州 电话:(0591)8755-1305</p> <p>北京 电话:(010)8225-3225 上海 电话:(021)6301-2827 成都 电话:(028)8434-2075 南寧 电话:(0771)2621-501 北京 电话:(010)8225-3225 上海 电话:(021)6301-2827</p>
<p>Asia China: Delta Electronics (Shanghai) Co., Ltd. No.182 Minyu Rd., Pudong Shanghai, P.R.C. Post code: 201209 TEL: +86-21-6872-3988 / FAX: +86-21-6872-3996 Customer Service: 400-820-9595 Japan: Delta Electronics (Japan), Inc. Industrial Automation Sales Department 2-1-14 Shibadaimon, Minato-ku Tokyo, Japan 105-0012 TEL: +81-3-5733-1155 / FAX: +81-3-5733-1255 Korea: Delta Electronics (Korea), Inc. 151-1, 219, Gassan Digital 1-Ro., Geumcheon-gu, Seoul, 08501 South Korea TEL: +82-2-515-5305 / FAX: +82-2-515-5302 Singapore: Delta Energy Systems (Singapore) Pte Ltd. 4 Kaki Bukit Avenue 1 #05-04, Singapore 417939 TEL: +65-6747-5155 / FAX: +65-6744-9228 India: Delta Electronics (India) Pvt. Ltd. Plot No.43, Sector 35, HSIIDC Gurgaon, PIN 122001, Haryana, India TEL: +91-124-4874900 / FAX: +91-124-4874945</p>								
<p>Thailand: Delta Electronics (Thailand) PCL. 909 Soi 9, Moo 4, Bangpoo Industrial Estate (E.P.Z), Pattana 1 Rd., T.Phraksa, A.Muang, Samutprakam 10280, Thailand TEL: +66-2709-2800 / FAX: +66-2709-2827 Australia: Delta Electronics (Australia) Pty Ltd. Unit 20-21/45 Normanby Rd., Notting Hill Vic 3168, Australia TEL: +61-3-9543-3720 Americas USA: Delta Electronics (Americas) Ltd. 5101 Davis Drive, Research Triangle Park, NC 27709, U.S.A. TEL: +1-919-767-3813 / FAX: +1-919-767-3969 Brazil: Delta Electronics Brazil Ltd. Estrada Velha Rio-São Paulo, 5300 Eugênio de Melo - São José dos Campos CEP:12247-004-SP- Brazil TEL: +55-12-3932-2300 / FAX: +55-12-3932-237 Mexico: Delta Electronics International Mexico S.A. de C.V. Gustavo Baz No. 309 Edificio E PB 103 Colonia La Loma, CP 54060 Tlaxiapanita, Estado de México TEL: +52-55-3603-9200</p>								<p>EMEA EMEA Headquarters: Delta Electronics (Netherlands) B.V. Sales: Sales.IA.EMEA@deltawww.com Marketing: Marketing.IA.EMEA@deltawww.com Technical Support: iatechnicalsupport@deltawww.com Customer Support: Customer-Support@deltawww.com Service: Service.IA.EMEA@deltawww.com TEL: +31(0)40 800 3900 BENELUX: Delta Electronics (Netherlands) B.V. Automotive Campus 260, 5708 JZ Helmond, The Netherlands Mail: Sales.IA.Benelux@deltawww.com TEL: +31(0)40 800 3900 DACH: Delta Electronics (Netherlands) B.V. Coesterweg 45, D-59494 Soest, Germany Mail: Sales.IA.DACH@deltawww.com TEL: +49(0)2921 987 0 France: Delta Electronics (France) S.A. Zi du bois Chaland 2, 15 rue des Pyrénées, Lisses, 91090 Evry Cedex, France Mail: Sales.IA.FR@deltawww.com TEL: +33(0)1 69 77 82 60 UK: Delta Electronics Europe Ltd. 1 Redwood Court, East Kilbride, Glasgow, G74 5PF, United Kingdom TEL: +44-1355-588-888</p>
<p>Iberia: Delta Electronics Solutions (Spain) S.L.U. Ctra. De Villaverde de Vallecas, 265 1º Dcha Ed. Hormigueras - P.I. de Vallecas 28031 Madrid TEL: +34(0)91 223 74 20 Carrer Llacuna 166, 08018 Barcelona, Spain Mail: Sales.IA.Iberia@deltawww.com Italy: Delta Electronics (Italy) S.r.l. Via Meda 2-22060 Novedrate(CO) Piazza Grazioli 18 00186 Roma Italy Mail: Sales.IA.Italy@deltawww.com TEL: +39 039 8900365 Russia: Delta Energy System LLC Verenskaya Piazza II, office 112 Vereyskaya str. 17 121357 Moscow Russia Mail: Sales.IA.RU@deltawww.com TEL: +7 495 644 3240 Turkey: Delta Greentech Elektronik San. Ltd. Sti. (Turkey) Serfilai Mah. Hendem Cad. Kule Sok. No:16-A 34775 Ümraniye - Istanbul Mail: Sales.IA.Turkey@deltawww.com TEL: +90 216 499 9910 MEA: Eitek Dubai (Eitek MEA DMCC) OFFICE 2504, 25th Floor, Saba Tower 1, Jumeirah Lakes Towers, Dubai, UAE Mail: Sales.IA.MEA@deltawww.com TEL: +971(0)4 2690148</p>								

\*We reserve the right to change the information in this instruction sheet without prior notice.