

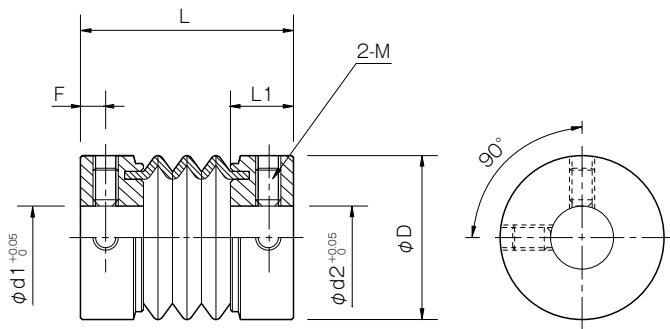
BELLOWFLEX CHP - Datasheet

Specifications

Model	Torque		Misalignment			Max. rotation speed [min ⁻¹]	Static torsional stiffness [N-m/rad]	Moment of inertia [kg-m ²]	Mass [kg]
	Nominal [N-m]	Max. [N-m]	Parallel [mm]	Angular [°]	Axial [mm]				
CHP-20	0.4	0.8	0.5	10	± 0.5	9000	5.9	6.30 × 10 ⁻⁷	0.012
CHP-26	0.7	1.4	0.5	10	± 0.5	7000	12.5	2.40 × 10 ⁻⁶	0.026
CHP-34	1.5	3.0	0.5	10	± 0.5	5500	32.8	7.90 × 10 ⁻⁶	0.051

• Static torsional stiffness values given are from measurements taken at 20 °C.
 • The moment of inertia and mass are specified for the minimum bore diameter.

Dimensions



Model	d1 - d2		D	L	L1	F	M
	Min.	Max.					
CHP-20	3	8	20	28	8	3	M3
CHP-26	6	13	26	34	10	4	M4
CHP-34	8	18	34	40	12	5	M5

• CHP-20 with a bore of 3 mm has a set screw angle of 120° .

Model	Standard bore diameter d1-d2 [mm]																	
	3	4	5	6	7	8	9	10	11	12	13	14	15	16	17	18		
CHP-20	●	●	●	●	●	●												
CHP-26				●	●	●	●	●	●	●	●	●						
CHP-34						●	●	●	●	●	●	●	●	●	●	●		

• The recommended processing tolerance for paired mounting shafts is the h8 class.

How to Place an Order

CHP-26 8-8
 Size ——— Bore diameter d1 - d2
 Material: Hub - Aluminum, Bellow - Polyester resin