

High precision guided rodless cylinder

Double acting SRM3 Series

Double acting/position locking SRM3-Q Series

● Bore size: $\varnothing 25/\varnothing 32/\varnothing 40/\varnothing 63$ or equiv.



Specifications

1 MPa \approx 145.0 psi, 1 MPa = 10 bar

| Item | SRM3 | | | | SRM3-Q | | | |
|--|--|----------------------------|----------------------------|----------------------------|-----------------------------------|----------------------------|----------------------------|----------------------------|
| | Standard/with switch | | | | Position locking/with switch | | | |
| Bore size mm | $\varnothing 25$ or equiv. | $\varnothing 32$ or equiv. | $\varnothing 40$ or equiv. | $\varnothing 63$ or equiv. | $\varnothing 25$ or equiv. | $\varnothing 32$ or equiv. | $\varnothing 40$ or equiv. | $\varnothing 63$ or equiv. |
| Actuation | Double acting | | | | Double acting/position locking | | | |
| Working fluid | Compressed air | | | | | | | |
| Max. working pressure MPa | 0.7 (\approx 100 psi, 7 bar) | | | | | | | |
| Min. working pressure MPa | 0.15 (\approx 22 psi, 1.5 bar) | | 0.1 | | 0.15 (\approx 22 psi, 1.5 bar) | | 0.1 | |
| Proof pressure MPa | 1.05 (\approx 150 psi, 10.5 bar) | | | | | | | |
| Ambient temperature $^{\circ}\text{C}$ | 5 (41 $^{\circ}\text{F}$) to 60 (140 $^{\circ}\text{F}$) | | | | | | | |
| Port size | Cylinder body port | Rc1/8 | Rc1/4 | Rc3/8 | Rc1/8 | Rc1/4 | Rc3/8 | |
| | Position locking port | - | | | Rc1/8 | | | |
| Stroke tolerance mm | $^{+2.0}_0$ (to 1000) | | | | $^{+2.5}_0$ (to 2000) | | | |
| Working piston speed mm/s | 50 to 1500 (*1, *2) | | | | | | | |
| Cushion | Air cushion | | | | | | | |
| Lubrication | Not required | | | | | | | |
| Repeat stopping accuracy mm | ± 0.03 | | | | | | | |
| Position locking mechanism | - | | | | Attached to R side of cover | | | |
| Holding force N | - | | | | Max. thrust x 0.7 | | | |

*1: For common port piping, working piston speed varies depending on stroke. Contact CKD.

*2: (1) When the piston moves at 500 to 1500 mm/s, reduce the speed when entering the position locking mechanism to 500 mm/s or less

(2) To reduce the speed, add an external shock absorber or deceleration circuit.

(3) Apply grease regularly to the sliding part of the lock lever.

Allowable absorbed energy

| Bore size (mm) | Cushioned | | Without cushion | With shock absorber (initial set point) | |
|----------------------------|-------------------------------|---------------------|-------------------------------|---|-----------------------|
| | Allowable absorbed energy (J) | Cushion stroke (mm) | Allowable absorbed energy (J) | Absorbed energy (J) | Effective stroke (mm) |
| $\varnothing 25$ or equiv. | 1.40 | 20.9 | 0.015 | 10 | 9 |
| $\varnothing 32$ or equiv. | 2.57 | 23.5 | 0.030 | 18 | 13 |
| $\varnothing 40$ or equiv. | 4.27 | 23.9 | 0.050 | 50 | 16.5 |
| $\varnothing 63$ or equiv. | 17.4 | 29.6 | 0.138 | 86 | 21 |

Stroke

| Bore size (mm) | Standard stroke (mm) | Max. stroke (mm) | Min. stroke (mm) |
|--|--|------------------|------------------|
| $\varnothing 25, \varnothing 32$ or equiv. | 200, 300, 400, 500, 600, 700, 800, 900, 1000 | 1000 | 50 |
| $\varnothing 40, \varnothing 63$ or equiv. | 200, 300, 400, 500, 600, 700, 800, 900, 1000, 1100, 1200, 1300, 1400, 1500, 1600, 1700, 1800, 1900, 2000 | 2000 | 80 |

Note: The custom stroke is available in 1 mm increments.

Number of installed switches and min. stroke (mm)

| Switch quantity | 1 | | 2 | | 3 | | 4 | | 5 | | 6 | | 7 | | 8 | | 9 | |
|----------------------------|-----|-----|-----|-----|-----|-----|-----|-----|-----|-----|-----|-----|-----|-----|-----|-----|-----|-----|
| Switch model No. | T*V | T*H | T*V | T*H | T*V | T*H | T*V | T*H | T*V | T*H | T*V | T*H | T*V | T*H | T*V | T*H | T*V | T*H |
| Bore size (mm) | | | | | | | | | | | | | | | | | | |
| $\varnothing 25$ or equiv. | 50 | 50 | 50 | 50 | 90 | 100 | 135 | 150 | 180 | 200 | 225 | 250 | 270 | 300 | 315 | 350 | 360 | 400 |
| $\varnothing 32$ or equiv. | 50 | 50 | 50 | 50 | 90 | 100 | 135 | 150 | 180 | 200 | 225 | 250 | 270 | 300 | 315 | 350 | 360 | 400 |
| $\varnothing 40$ or equiv. | 80 | 80 | 80 | 80 | 90 | 100 | 135 | 150 | 180 | 200 | 225 | 250 | 270 | 300 | 315 | 350 | 360 | 400 |
| $\varnothing 63$ or equiv. | 80 | 80 | 80 | 80 | 90 | 100 | 135 | 150 | 180 | 200 | 225 | 250 | 270 | 300 | 315 | 350 | 360 | 400 |

Switch specifications

● 1-color/2-color LED/for AC magnetic field proof

| Item | 2-wire proximity | | 3-wire proximity | | 2-wire reed | | | | | | 2-wire proximity | |
|----------------------|---------------------------------------|-------------------------------|------------------------------------|-------------------------------|------------------------------------|------------|--|--------------------------------|------------------------------------|---------------------------------|---------------------------------------|-------------|
| | T2YH/ T2YV | T2WH/ T2WV | T3YH/ T3YV | T3WH/ T3WV | TOH/TOV | | T5H/T5V | | T8H/T8V | | T2YD/ T2YDT (*4) | |
| Applications | Dedicated for programmable controller | | For programmable controller, relay | | For programmable controller, relay | | For programmable controller, relay (no lamp), serial | | For programmable controller, relay | | Dedicated for programmable controller | |
| Output method | - | | NPN output | | - | | | | | | | |
| Power supply voltage | - | | 10 to 28 VDC | | - | | | | | | | |
| Load voltage | 10 to 30 VDC | 24 VDC ±10% | 30 VDC or less | | 12/24 VDC | 110 VAC | 5/12/24 VDC | 110 VAC | 12/24 VDC | 110 VAC | 220 VAC | 24 VDC ±10% |
| Load current | 5 to 20 mA (*2) | | 50 mA or less | | 5 to 50 mA | 7 to 20 mA | 50 mA or less | 20 mA or less | 5 to 50 mA | 7 to 20 mA | 7 to 10 mA | 5 to 20 mA |
| Indicator | Red/green LED (Lit when ON) | | Red/green LED (Lit when ON) | | LED (Lit when ON) | | No indicator lamp | | LED (Lit when ON) | | Red/green LED (Lit when ON) | |
| Leakage current | 1 mA or less | | 10 µA or less | | 0 mA | | | | | | 1 mA or less | |
| Weight | 1 m: 33 3 m: 87 5 m: 142 | 1 m: 18 3 m: 49 5 m: 80 | 1 m: 33 3 m: 87 5 m: 142 | 1 m: 18 3 m: 49 5 m: 80 | 1 m: 18 3 m: 49 5 m: 80 | | | 1 m: 33 3 m: 87 5 m: 142 | | 1 m: 61 3 m: 166 5 m: 272 | | |

*1 : After shipment, modification from reed switch to proximity switch or vice versa is not possible.

If the cylinder switch is not specified (i.e., blank), a reed switch will be attached to the cylinder body.

*2: Refer to Ending Page 1 for detailed switch specifications and dimensions.

*3: Switches other than the above models, such as switches with connectors, are also available. Refer to Ending Page 1.

*4 : The max. load current is 20 mA at 25°C. The current is lower than 20 mA if the operating ambient temperature around the switch is higher than 25°C. (5 to 10 mA at 60°C)

*5 : Switch for AC magnetic field (T2YD/T2YDT) cannot be used in DC magnetic field.

Cylinder weight

Unit: kg

| Bore size (mm) | Weight for 0 mm stroke | | | Additional weight per St = 100mm |
|----------------|------------------------|---------------------------|---|----------------------------------|
| | Basic (SRM3) | Position locking (SRM3-Q) | Switch weight | |
| ø25 or equiv. | 2.4 | 2.9 | Refer to the weight in the switch specifications. | 0.59 |
| ø32 or equiv. | 3.3 | 4.2 | | 0.72 |
| ø40 or equiv. | 4.8 | 6.0 | | 1.20 |
| ø63 or equiv. | 15.1 | 17.8 | | 1.99 |

Theoretical thrust table

(Unit: N)

| Bore size (mm) | Operating direction | Working pressure MPa | | | | | | | |
|----------------|---------------------|----------------------|----------------------|----------------------|----------------------|----------------------|----------------------|----------------------|----------------------|
| | | 0.1 | 0.15 | 0.2 | 0.3 | 0.4 | 0.5 | 0.6 | 0.7 |
| ø25 | Push/Pull | - | 81.4 | 1.08x10 ² | 1.63x10 ² | 2.17x10 ² | 2.71x10 ² | 3.25x10 ² | 3.80x10 ² |
| ø32 | Push/Pull | - | 1.21x10 ² | 1.63x10 ² | 2.44x10 ² | 3.26x10 ² | 4.07x10 ² | 4.88x10 ² | 5.70x10 ² |
| ø40 | Push/Pull | - | 1.90x10 ² | 2.53x10 ² | 3.80x10 ² | 5.06x10 ² | 6.33x10 ² | 7.60x10 ² | 8.86x10 ² |
| ø63 | Push/Pull | 3.14x10 ² | 4.70x10 ² | 6.27x10 ² | 9.41x10 ² | 1.25x10 ³ | 1.57x10 ³ | 1.88x10 ³ | 2.20x10 ³ |

SCP*3
CMK2
CMA2
SCM
SCG
SCA2
SCS2
CKV2
CAV2/
COVP/N2
SSD2
SSG
SSD
CAT
MDC2
MVC
SMG
MSD/
MSDG
FC*
STK
SRL3
SRG3
SRM3
SRT3
MRL2
MRG2
SM-25
ShkAbs
FJ
FK
Spd
Contr
Ending

SRM3 Series

How to order

No switch (built-in magnet for switch)

SRM3 - **25** **B** - **500** - **C0** - **A**

With switch (built-in magnet for switch)

SRM3 - **25** **B** - **500** - **T0H** - **R** - **A**

| | |
|---------------------------------|--|
| A Model No. | |
| B Bore size | |
| C Cushion | |
| D Stroke | |
| E Switch model No. *2 | |

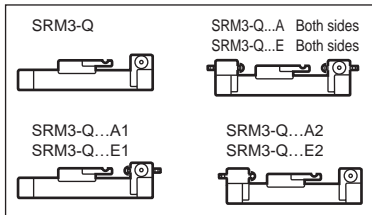
⚠ Precautions for model No. selection

*1: Refer to page 1676 for the min. stroke with switch.

*2: Switches other than **E** Switch model No. are also available. (Made to order) Refer to Ending Page 1 for details.

*3: To install the full stroke adjusting bracket later, you need to remove the cover and attach a flat nut. A flat nut is attached to option "A3" to enable retrofitting the full stroke adjusting bracket.

*4: The full stroke adjusting bracket on R side is provided as standard for the position locking. Therefore, if "A1" or "E1" is selected, a shock absorber only is added to R side. In the case of "A", R side is position locking and full stroke adjustable with shock absorber, and L side is full stroke adjustable with shock absorber. (Figure below)



*5: Copper and PTFE free as standard. (except for type with shock absorber)

*6: The built-in magnet cannot be changed after shipment.

*7: Square nuts (two types, eight pieces each) are supplied for use of the T-groove.

[Example of model No.]

SRM3-25B-500-T0H-R-A

Model: High precision guided rodless cylinder

- A** Model No. : Standard
- B** Bore size : $\varnothing 25$ mm
- C** Cushion : Both sides cushioned
- D** Stroke : 500 mm
- E** Switch model No. : Reed T0H switch
- F** Switch quantity : 1 on R side
- G** Option : Both-side full stroke adjustable, with shock absorber

| Code | Description |
|------|-------------|
|------|-------------|

| A Model No. | |
|--------------------|------------------|
| SRM3 | Standard |
| SRM3-Q | Position locking |

| B Bore size (mm) | |
|-------------------------|------------------|
| 25 | $\varnothing 25$ |
| 32 | $\varnothing 32$ |
| 40 | $\varnothing 40$ |
| 63 | $\varnothing 63$ |

| C Cushion | |
|------------------|----------------------|
| B | Both sides cushioned |
| R | R side cushioned |
| L | L side cushioned |
| N | Without cushion |

| D Stroke (mm) | | |
|----------------------|-------------|--------------------|
| Bore size | Stroke (*1) | Custom stroke |
| $\varnothing 25$ | 50 to 1000 | In 1 mm increments |
| $\varnothing 32$ | 50 to 1000 | |
| $\varnothing 40$ | 80 to 2000 | |
| $\varnothing 63$ | 80 to 2000 | |

| E Switch model No. | | | | | | |
|---------------------------|------------------|-----------|---------|-----------------------------------|-------------------|-----------|
| Axial lead wire | Radial lead wire | Contact | Voltage | | Indicator | Lead wire |
| | | | AC | DC | | |
| T0H* | T0V* | Reed | ● | ● | 1-color LED | 2-wire |
| T5H* | T5V* | | ● | ● | No indicator lamp | |
| T8H* | T8V* | | ● | ● | 1-color LED | |
| T2WH* | T2WV* | Proximity | | ● | 2-color LED | 2-wire |
| T2YH* | T2YV* | | | ● | | |
| T3WH* | T3WV* | | | ● | | |
| T3YH* | T3YV* | | | ● | 3-wire | |
| T2YD* | - | | | ● | | |
| T2YDT* | - | | ● | 2-color LED for AC magnetic field | 2-wire | |

| * Lead wire length | |
|---------------------------|----------------|
| Blank | 1 m (standard) |
| 3 | 3 m (option) |
| 5 | 5 m (option) |

| * Select only when the switch model No. is not specified *6 | |
|--|---|
| C0 | With integrated magnet for reed switch |
| C1 | With integrated magnet for proximity switch |

| F Switch quantity | |
|--------------------------|--|
| R | 1 on R side |
| L | 1 on L side |
| D | 2 |
| T | 3 |
| 4 | 4 (when there are more than 4 switches, indicate switch quantity.) |

| G Option | | Bore size (\varnothing) | | | | |
|-----------------|-------------------------|---|-----------------|----|----|---|
| | | 25 | 32 | 40 | 63 | |
| A | Full stroke adjustable | With shock absorber on both sides | ● | ● | ● | ● |
| | | With shock absorber on R side | ● | ● | ● | ● |
| | | With shock absorber on L side | ● | ● | ● | ● |
| | | Adjusting bracket to be added later | ● | ● | ● | ● |
| | | With light-load shock absorber - both sides | ● | ● | ● | ● |
| | | With light-load shock absorber - R side | ● | ● | ● | ● |
| E1 | Full stroke adjustable | With light-load shock absorber on L side | ● | ● | ● | ● |
| | | E2 | ● | ● | ● | ● |
| | | Blank | F (Standard) | ● | ● | ● |
| R | Port position | R (Common port) | F (Standard) | ● | ● | ● |
| | | B | F | ● | ● | ● |
| | | T | R (Common port) | ● | ● | ● |
| | | D | F | ● | ● | ● |
| S | Cushion needle position | D | F | ● | ● | ● |
| | | D | D | ● | ● | ● |

How to order switch

- Switch body only

SW - **T0H**

Switch model No.
(Item **E** on page 1678)

How to order discrete shock absorber

| Model | Discrete shock absorber model No. | |
|---------|-----------------------------------|-----------------|
| | Standard (-A) | Light-load (-E) |
| SRM3-25 | NCK-00-1.2 | NCK-00-0.7-C |
| SRM3-32 | NCK-00-2.6 | NCK-00-1.2 |
| SRM3-40 | NCK-00-7 | NCK-00-2.6 |
| SRM3-63 | NCK-00-12 | NCK-00-7 |

How to order repair parts

SRM3 - **40** **K** - **200**

Bore size
(Item **B** on
page 1678)

Stroke
(Item **D** on
page 1678)

How to order full stroke adjusting bracket kit (Applies to option code A3.)

SRM3 - **40** **A1** (Full stroke adjusting bracket kit
with shock absorber)

Bore size
(Item **B** on
page 1678)

E1 (Full stroke adjusting bracket kit
with light-load shock absorber)

(For configurations, refer to "Full stroke adjusting bracket kit"
on page 1686.)

Specifications for rechargeable battery (Catalog No. CC-1226A)

- Design compatible with rechargeable battery manufacturing process

SRM3 - - **P4***

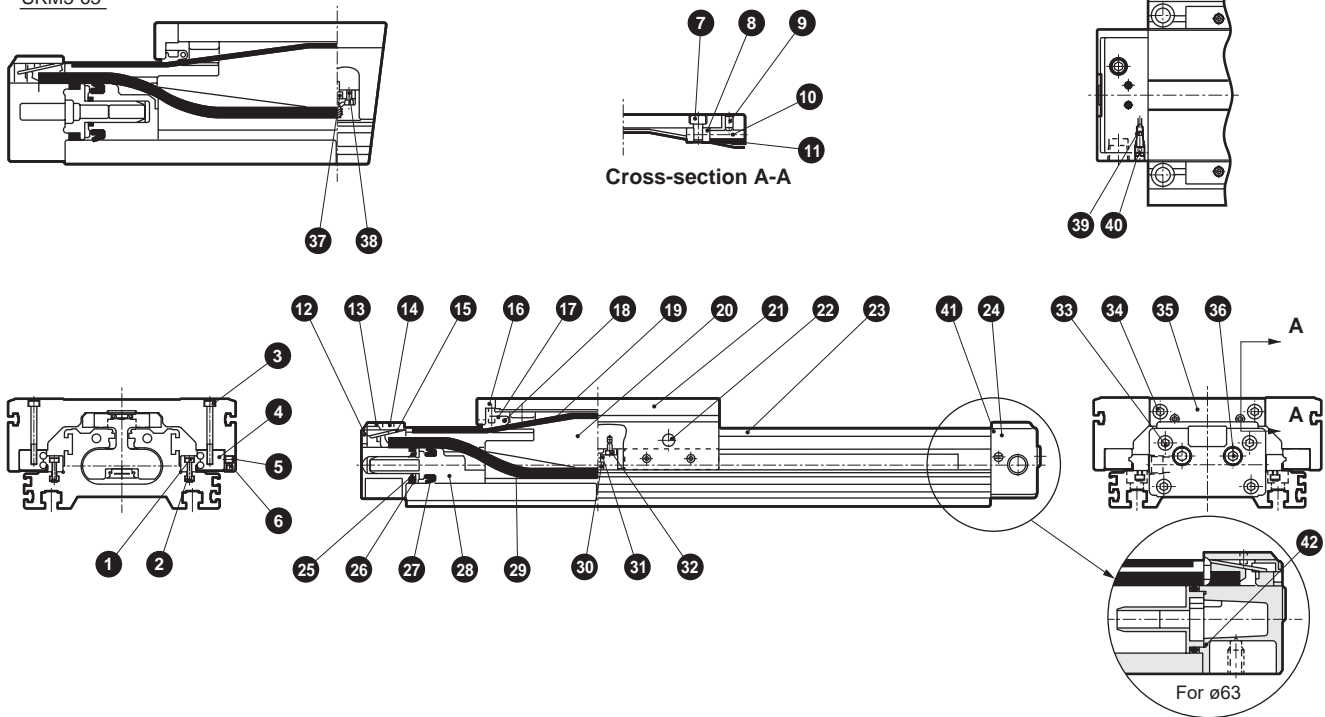
SRM3 - Q - - **P4***

| |
|------------------|
| SCP*3 |
| CMK2 |
| CMA2 |
| SCM |
| SCG |
| SCA2 |
| SCS2 |
| CKV2 |
| CAV2/ COVP/N2 |
| SSD2 |
| SSG |
| SSD |
| CAT |
| MDC2 |
| MVC |
| SMG |
| MSD/ MSDG |
| FC* |
| STK |
| SRL3 |
| SRG3 |
| SRM3 |
| SRT3 |
| MRL2 |
| MRG2 |
| SM-25 |
| ShkAbs |
| FJ |
| FK |
| Spd Contr |
| Ending |

SRM3 Series

Internal structure and parts list (ø25 or ø63 equiv.)

SRM3-63



| No. | Part name | Material | Remarks | No. | Part name | Material | Remarks |
|-----|-------------------------------|----------------------------------|---------------|-----|-------------------------------|-----------------|----------------|
| 1 | Hexagon socket head cap screw | Alloy steel | Black finish | 22 | Grease nipple (ball bowl) | Copper | Nickel plating |
| 2 | Nut rail | Steel | Black finish | 23 | Cylinder tube | Aluminum alloy | Alumite |
| 3 | Hexagon socket head cap screw | Alloy steel | Black finish | 24 | Cover (R) assembly | | |
| 4 | High precision guide | Steel | | 25 | Cushion packing | Urethane rubber | |
| 5 | Hexagon socket set screw | Alloy steel | Zinc chromate | 26 | Cylinder gasket | Nitrile rubber | |
| 6 | Hexagon socket set screw | Alloy steel | Zinc chromate | 27 | Piston packing | Nitrile rubber | |
| 7 | Hexagon socket head cap screw | Alloy steel | Zinc chromate | 28 | Piston | Acetal resin | |
| 8 | Yoke holder | Steel | Black finish | 29 | Seal belt | Urethane rubber | |
| 9 | Hexagon socket set screw | Alloy steel | Zinc chromate | 30 | Magnet | | |
| 10 | Hexagon socket set screw | Alloy steel | Zinc chromate | 31 | Magnet case | Polyamide | |
| 11 | Dust wiper | Acetal resin | | 32 | Hexagon socket head cap screw | Stainless steel | |
| 12 | Belt cover | Polyamide | | 33 | Hexagon socket head cap screw | Alloy steel | Zinc chromate |
| 13 | Cover (L) assembly | | | 34 | Hexagon socket head cap screw | Alloy steel | Zinc chromate |
| 14 | Hexagon socket set screw | Alloy steel | Zinc chromate | 35 | Table cover | Steel | Zinc chromate |
| 15 | Belt spacer | Steel | Zinc chromate | 36 | Plug | Steel | Zinc chromate |
| 16 | Spring | Steel | Black finish | 37 | Spacer | Aluminum alloy | |
| 17 | Belt holder | Acetal resin | | 38 | Hexagon socket head cap screw | Stainless steel | |
| 18 | Parallel pin | Steel | Zinc chromate | 39 | Needle gasket | Nitrile rubber | |
| 19 | Dust-proof belt | Stainless steel + nitrile rubber | | 40 | Cushion needle | Steel | Zinc chromate |
| 20 | Yoke | Aluminum alloy | Alumite | 41 | O-ring for common port | Nitrile rubber | |
| 21 | Table | Aluminum alloy | Alumite | 42 | Cushion ring gasket | Nitrile rubber | ø63 only |

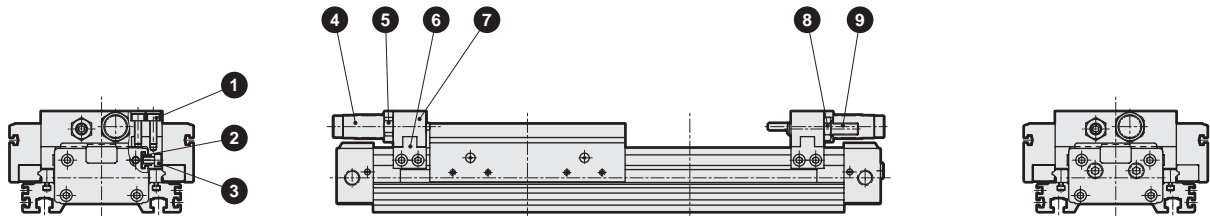
Repair parts list

| No./part name | Kit No. | Repair parts No. |
|----------------|------------|----------------------------|
| Bore size (mm) | | |
| ø25 or equiv. | SRM3-25K-* | 11 19 25 26 |
| ø32 or equiv. | SRM3-32K-* | 27 29 39 41 |
| ø40 or equiv. | SRM3-40K-* | |
| ø63 or equiv. | SRM3-63K-* | 11 19 25 26 27 29 39 41 42 |

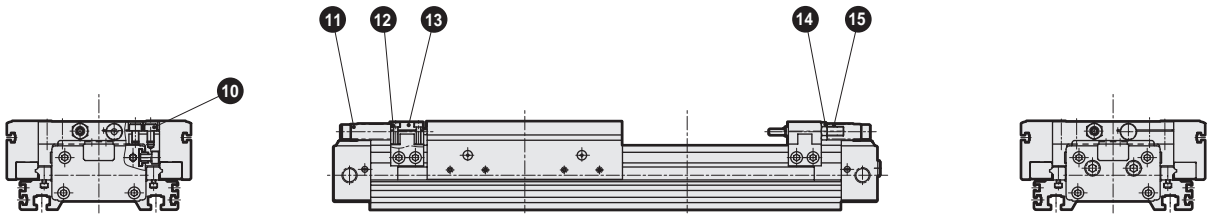
*1: Specify the kit No. when placing an order. Specify the stroke for *.

Internal structure and parts list: with shock absorber (ø25 to ø63 equiv.)

- Full stroke adjustable with standard shock absorber (SRM3-**-***-A)



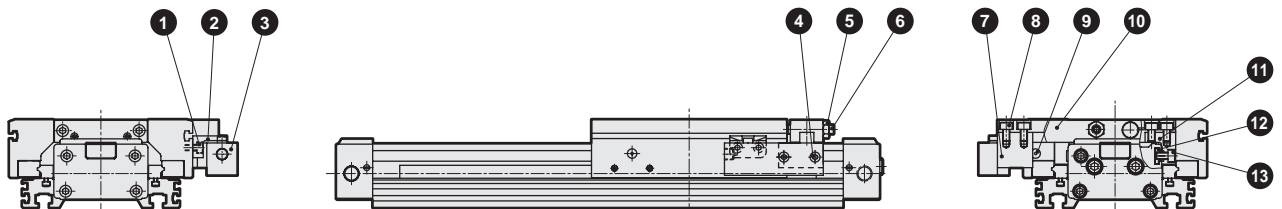
- Full stroke adjustable with light-load shock absorber (SRM3-**-***-E)



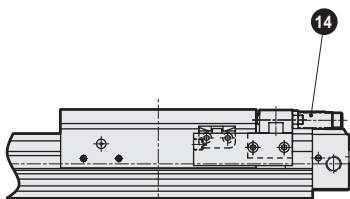
| No. | Part name | Material | Remarks | No. | Part name | Material | Remarks |
|-----|-------------------------------|----------------|--------------|-----|-------------------------------|----------------|-------------|
| 1 | Hexagon socket head cap screw | Alloy steel | Galvanizing | 9 | Hexagon socket set screw | Alloy steel | Galvanizing |
| 2 | Adaptor nut | Steel | Black finish | 10 | Hexagon socket head cap screw | Alloy steel | Galvanizing |
| 3 | Hexagon socket head cap screw | Alloy steel | Galvanizing | 11 | Shock absorber | | |
| 4 | Shock absorber | | | 12 | Hexagon socket head cap screw | Alloy steel | Galvanizing |
| 5 | Hexagon nut | Steel | Galvanizing | 13 | Plate (3) | Aluminum alloy | Alumite |
| 6 | Adaptor | Steel | Galvanizing | 14 | Hexagon nut | Steel | Galvanizing |
| 7 | Plate (1) | Aluminum alloy | Alumite | 15 | Hexagon socket set screw | Alloy steel | Galvanizing |
| 8 | Hexagon nut | Steel | Galvanizing | | | | |

Internal structure and parts list: with position locking (ø25 to ø63 equiv.)

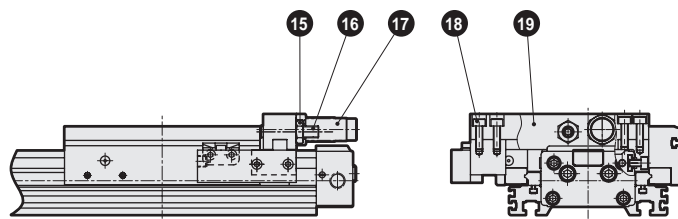
- With position locking (SRM3-Q)



- Position locking/full stroke adjustable with light-load shock absorber (SRM3-Q-**-***-E1)



- Position locking/full stroke adjustable with standard shock absorber (SRM3-Q-**-***-A1)

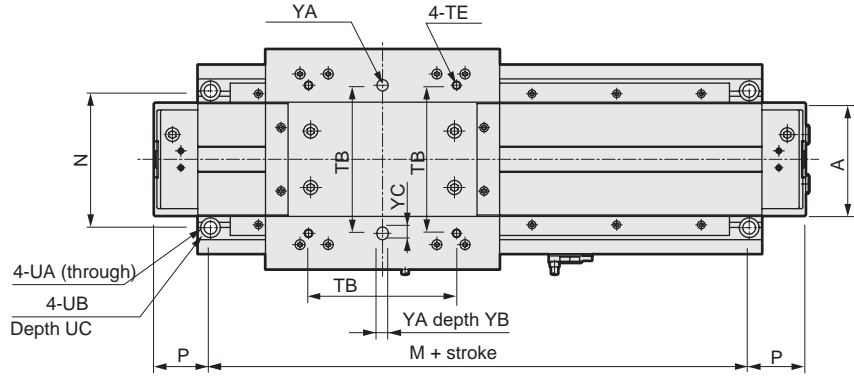


| No. | Part name | Material | Remarks | No. | Part name | Material | Remarks |
|-----|-------------------------------------|----------------|---|-----|-------------------------------|----------------|--------------|
| 1 | Hexagon socket head cap screw | Alloy steel | Galvanizing | 10 | Plate (4) | Aluminum alloy | Alumite |
| 2 | Lock lever | Steel | Galvanizing | 11 | Adaptor | Steel | Galvanizing |
| 3 | Position locking mechanism assembly | | | 12 | Adaptor nut | Steel | Black finish |
| 4 | Hexagon socket head cap screw | Alloy steel | Galvanizing | 13 | Hexagon socket head cap screw | Alloy steel | Galvanizing |
| 5 | Hexagon nut | Steel | Galvanizing | 14 | Shock absorber | | |
| 6 | Hexagon socket set screw | Alloy steel | Galvanizing | 15 | Hexagon nut | Steel | Galvanizing |
| 7 | Installation block | Aluminum alloy | Alumite | 16 | Hexagon socket set screw | Alloy steel | Galvanizing |
| 8 | Hexagon socket head cap screw | Alloy steel | Galvanizing | 17 | Shock absorber | | |
| 9 | Grease nipple (ball bowl) | Copper | Nickel plating (not included in SRM-Q-25) | 18 | Hexagon socket head cap screw | Alloy steel | Galvanizing |
| | | | | 19 | Plate (2) | Aluminum alloy | Alumite |

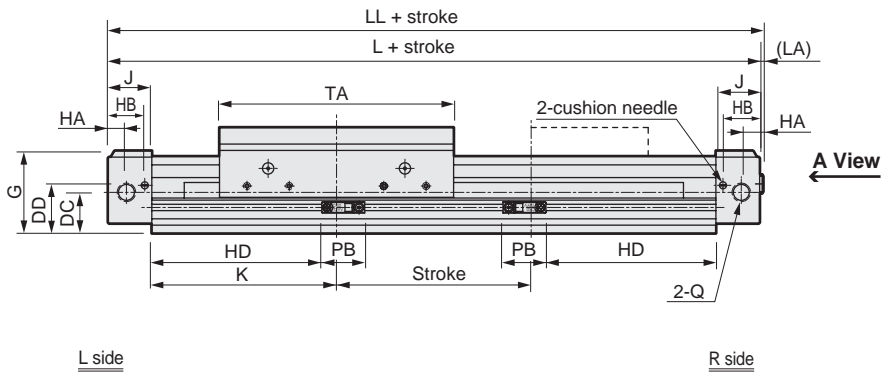
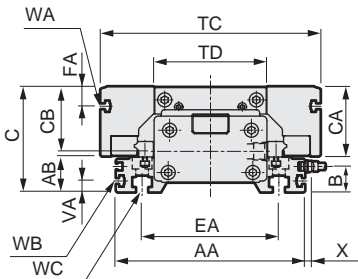
SRM3 Series

Dimensions

● With cylinder switch SRM3-**-**-**_*-T*V*
(L-shaped lead wire)

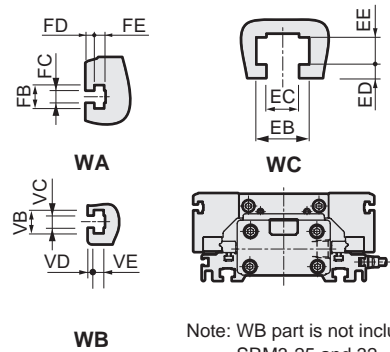


4-UA (through)
4-UB
Depth UC

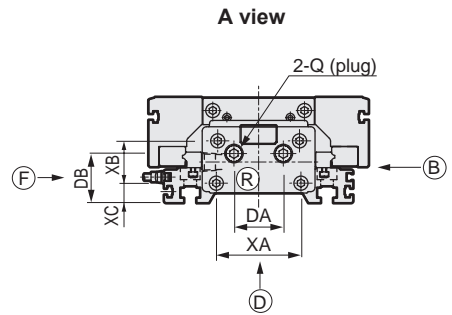


L side

R side



Note: WB part is not included in SRM3-25 and 32.

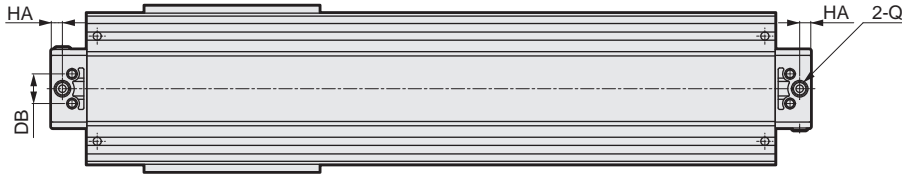


| Code | A | AA | AB | B | C | CA | CB | DA | DB | DC | DD | EA | EB | EC | ED |
|-----------------------|-----------|-----------|-----------|-----------|-----------|-----------|-----------|-----------|-----------|-----------|-----------|-----------|-----------|-----------|-----------|
| Code | A | AA | AB | B | C | CA | CB | DA | DB | DC | DD | EA | EB | EC | ED |
| Bore size (mm) | | | | | | | | | | | | | | | |
| ø25 or equiv. | 53 | 102 | 18 | 11.3 | 57 | 39 | 37 | 26 | 22 | 20 | 21.9 | 71 | 9.5 | 5.5 | 2.5 |
| ø32 or equiv. | 66 | 116 | 20 | 13.3 | 62 | 41.5 | 39.5 | 27 | 25 | 22.5 | 25.5 | 80 | 11 | 6.6 | 2.5 |
| ø40 or equiv. | 80 | 134 | 25 | 18.3 | 75 | 49.5 | 46 | 35 | 35 | 29 | 34 | 97 | 14.5 | 9 | 3.5 |
| ø63 or equiv. | 118 | 188 | 31.5 | 24.8 | 100 | 68 | 62.5 | 39 | 44.5 | 37.5 | 45.5 | 140 | 18 | 11 | 4 |
| Code | EE | FA | FB | FC | FD | FE | G | HA | HB | HE | J | K | L | LA | LL |
| Bore size (mm) | | | | | | | | | | | | | | | |
| ø25 or equiv. | 4.5 | 10 | 8.5 | 4.5 | 3 | 3.7 | 43.5 | 7.5 | 20 | - | 24 | 98 | 244 | 2 | 246 |
| ø32 or equiv. | 6 | 10 | 8.5 | 4.5 | 3 | 3.7 | 47.5 | 10 | 23.5 | 17 | 28 | 106 | 268 | 2.5 | 270.5 |
| ø40 or equiv. | 7.5 | 14 | 8.5 | 4.5 | 3 | 3.7 | 58.5 | 13 | 26 | 22.3 | 31 | 131 | 324 | 2.5 | 326.5 |
| ø63 or equiv. | 9 | 20 | 9.5 | 5.5 | 3 | 4.5 | 76.5 | 15 | 32 | 31 | 39 | 187 | 452 | 2.5 | 454.5 |

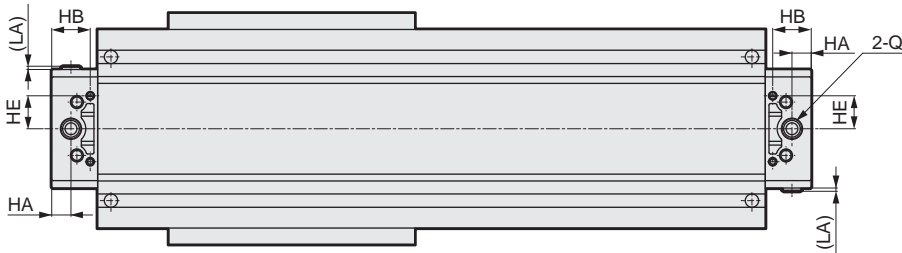
*1: After shipment, modification from reed switch to proximity switch or vice versa is not possible.
*2: Option S is not available for ø25.

Dimensions

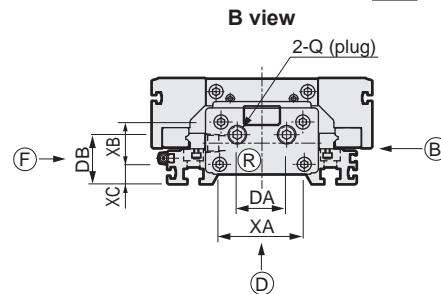
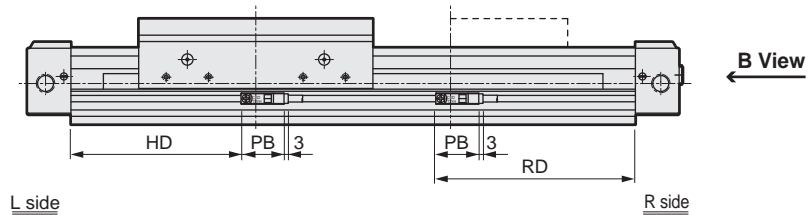
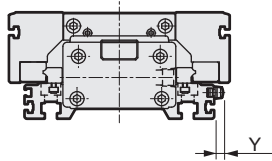
- Bottom piping (option: D/S)
 - $\phi 25$ or equiv.



- $\phi 32$ or equiv. to $\phi 63$ or equiv.



- With cylinder switch SRM3-**-**-***-T*H* (Axial lead wire)



| Code | LL | M | N | P | Q | TA | TB | TC | TD | TE | UA | UB | | | | | | | | |
|-----------------------|---------------------|-----------|-----------|-----------|-----------|--------------------------------------|-----------|-----------|-------------------------------|-------------|--------------|---------------------------|----------|----------|-----------|-----------------------|-----------|----------|----------|-----------|
| Bore size (mm) | | | | | | | | | | | | | | | | | | | | |
| $\phi 25$ or equiv. | 246 | 182 | 71 | 31 | Rc1/8 | 118 | 75 | 112 | 61 | M5 depth 12 | 5.5 | 9.5 spot face depth 6.5 | | | | | | | | |
| $\phi 32$ or equiv. | 270.5 | 196 | 80 | 36 | Rc1/4 | 132 | 85 | 128 | 65 | M6 depth 13 | 6.6 | 11 spot face depth 6.5 | | | | | | | | |
| $\phi 40$ or equiv. | 326.5 | 244 | 97 | 40 | Rc1/4 | 166 | 105 | 156 | 81 | M6 depth 15 | 9 | 14 spot face depth 8.5 | | | | | | | | |
| $\phi 63$ or equiv. | 454.5 | 350 | 140 | 51 | Rc3/8 | 250 | 160 | 224 | 118 | M8 depth 20 | 11 | 17.5 spot face depth 10.5 | | | | | | | | |
| Code | VA | VB | VC | VD | VE | XA | XB | XC | YA | YC | | | | | | | | | | |
| Bore size (mm) | | | | | | | | | | | | | | | | | | | | |
| $\phi 25$ or equiv. | - | - | - | - | - | 38 | 23 | 8.5 | $6^{+0.07}_{-0.02}$ depth 6 | 7 | | | | | | | | | | |
| $\phi 32$ or equiv. | - | - | - | - | - | 48 | 25 | 10 | $6^{+0.07}_{-0.02}$ depth 6 | 7 | | | | | | | | | | |
| $\phi 40$ or equiv. | 8 | 8.5 | 4.5 | 2 | 3.7 | 60 | 30 | 14 | $8^{+0.07}_{-0.02}$ depth 8 | 9 | | | | | | | | | | |
| $\phi 63$ or equiv. | 10 | 9.5 | 5.5 | 2.5 | 4.5 | 96 | 42 | 16.5 | $10^{+0.07}_{-0.02}$ depth 10 | 12 | | | | | | | | | | |
| Code | With switch | | | | | | | | | | | | | | | | | | | |
| Bore size (mm) | T0H/V, T5H/V | | | | | T1H/V, T2Y*H/V, T3Y*H/V, T2YD | | | | | T8H/V | | | | | T2WH/V, T3WH/V | | | | |
| | RD | HD | X | Y | PB | RD | HD | X | Y | PB | RD | HD | X | Y | PB | RD | HD | X | Y | PB |
| $\phi 25$ or equiv. | 107.5 | 88.5 | 4 | 0.5 | 22.5 | 108.5 | 87.5 | 9.3(14.5) | 6.3(11.5) | 30.5(29.5) | 102.5 | 81.5 | 9.3 | 6.3 | 30.5 | 105.5 | 90.5 | 4 | 0.5 | 22.5 |
| $\phi 32$ or equiv. | 115.5 | 96.5 | 4 | 0.5 | 22.5 | 116.5 | 95.5 | 9.3(14.5) | 6.3(11.5) | 30.5(29.5) | 110.5 | 89.5 | 9.3 | 6.3 | 30.5 | 113.5 | 98.5 | 4 | 0.5 | 22.5 |
| $\phi 40$ or equiv. | 140.5 | 121.5 | 4 | 0.5 | 22.5 | 141.5 | 120.5 | 9.3(14.5) | 6.3(11.5) | 30.5(29.5) | 135.5 | 114.5 | 9.3 | 6.3 | 30.5 | 138.5 | 123.5 | 4 | 0.5 | 22.5 |
| $\phi 63$ or equiv. | 196.5 | 177.5 | 4 | 0.5 | 22.5 | 197.5 | 176.5 | 9.3(14.5) | 6.3(11.5) | 30.5(29.5) | 191.5 | 170.5 | 9.3 | 6.3 | 30.5 | 194.5 | 179.5 | 4 | 0.5 | 22.5 |

*1: Values in () are for T1H/V, strong magnetic field proof.

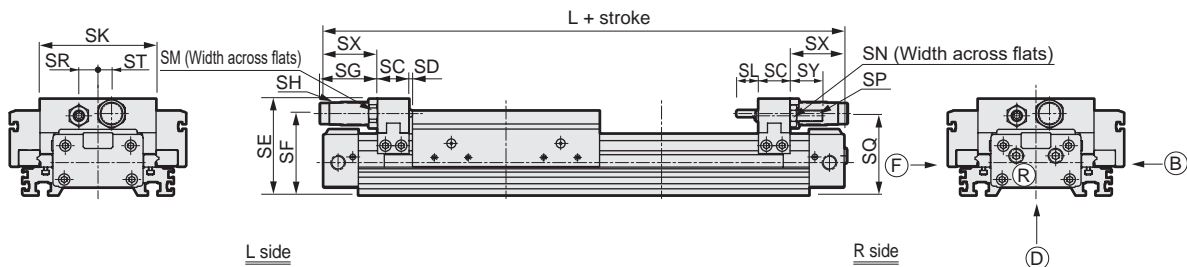
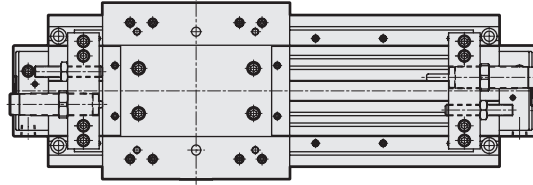
- SCP*3
- CMK2
- CMA2
- SCM
- SCG
- SCA2
- SCS2
- CKV2
- CAV2/COVP/N2
- SSD2
- SSG
- SSD
- CAT
- MDC2
- MVC
- SMG
- MSD/MSDG
- FC*
- STK
- SRL3
- SRG3
- SRM3
- SRT3
- MRL2
- MRG2
- SM-25
- ShkAbs
- FJ
- FK
- Spd Contr
- Ending

Dimensions

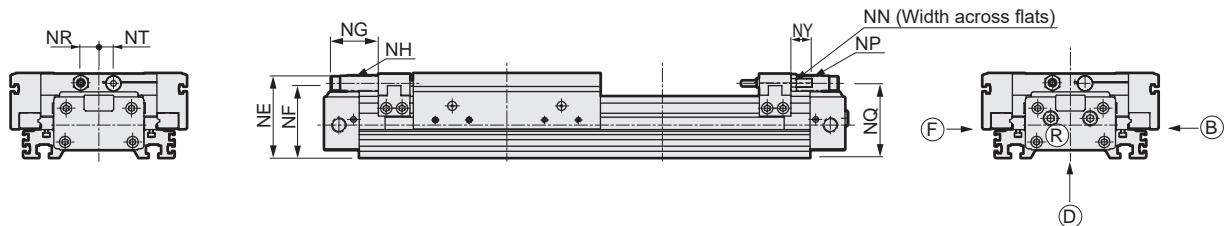
● Full stroke adjustable with standard shock absorber (SRM3-**-***-A)



Note: In SRM3-25-A, the shock absorber is installed inside the cover.



● Full stroke adjustable with light-load shock absorber (SRM3-**-***-E)



| Code | SC | SD | SE | SF | SG | | | SH | | SK | SL | SM | SN | SP | SQ | SR | ST |
|--------|----|----|-------|------|---------|---------|-----------|-------------|--------------------------|-----|------|------|----|-----|------|-----|----|
| | | | | | At max. | At min. | Adj range | O.D. thread | Max. absorbed energy (J) | | | | | | | | |
| SRG3 | 24 | 2 | 66 | 54.5 | 22.5 | 12.5 | 10 | M12x1.0 | 12 | 78 | 11 | 17 | 10 | M6 | 53 | 12 | 10 |
| SRM3 | 24 | 2 | 70.5 | 59.5 | 47 | 37 | 10 | M14x1.5 | 26 | 86 | 15 | 19 | 13 | M8 | 57.5 | 14 | 12 |
| SRT3 | 28 | 3 | 85.5 | 72.5 | 51 | 41 | 10 | M20x1.5 | 70 | 103 | 19.5 | 24 | 17 | M10 | 70.5 | 17 | 12 |
| | 36 | 4 | 114.5 | 96 | 68 | 58 | 10 | M25x1.5 | 120 | 150 | 25 | 32 | 24 | M16 | 91.5 | 25 | 20 |
| Code | SX | SY | NE | NF | NG | | | NH | | NN | NP | NQ | NR | NT | NY | L | |
| | | | | | At max. | At min. | Adj range | O.D. thread | Max. absorbed energy (J) | | | | | | | | |
| MRL2 | 37 | 14 | 56.5 | 50 | 24 | 14 | 10 | M10x1.0 | 7 | 10 | M6 | 50 | 11 | 8 | 14 | 244 | |
| MRG2 | 42 | 24 | 61.5 | 54 | 22.5 | 12.5 | 10 | M12x1.0 | 12 | 10 | M6 | 54 | 12 | 11 | 14 | 268 | |
| SM-25 | 48 | 29 | 74.5 | 66 | 42 | 32 | 10 | M14x1.5 | 26 | 13 | M8 | 66.5 | 16 | 13 | 19 | 324 | |
| ShkAbs | 61 | 40 | 99.5 | 87.5 | 42 | 32 | 10 | M20x1.5 | 70 | 19 | M12 | 88 | 16 | 20 | 30 | 452 | |

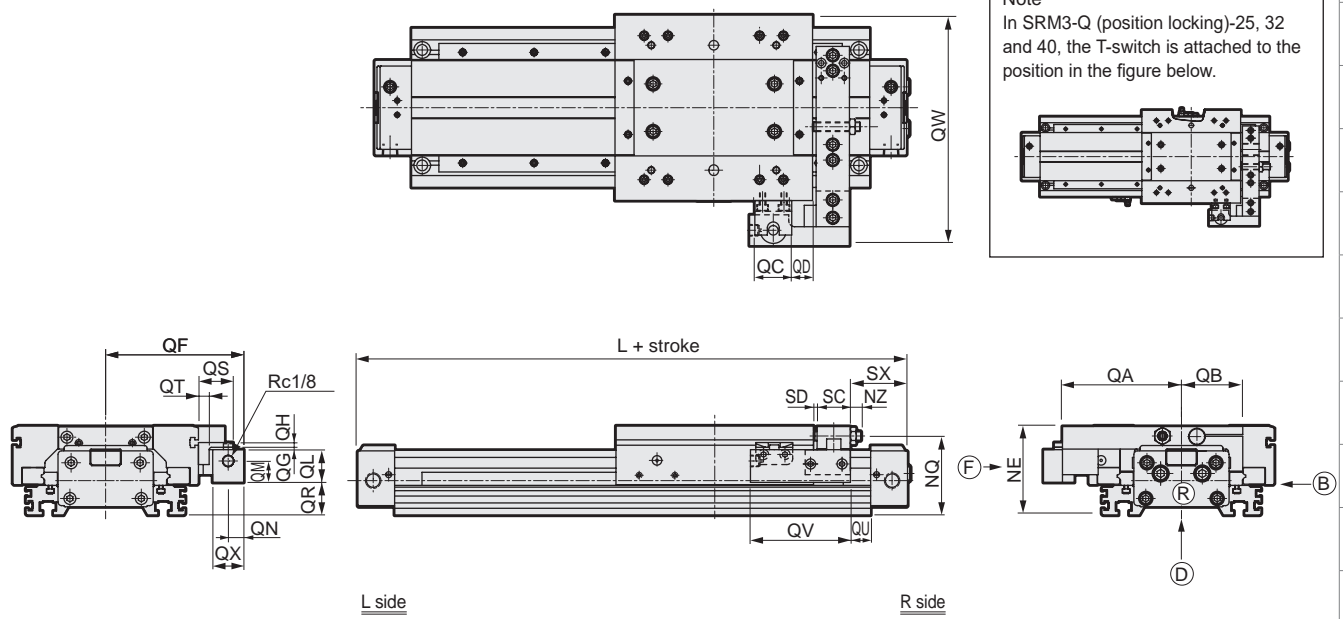
Dimensions

- Position locking (SRM3-Q)



- SCP*3
- CMK2
- CMA2
- SCM
- SCG
- SCA2
- SCS2
- CKV2
- CAV2/COVP/N2
- SSD2
- SSG
- SSD
- CAT
- MDC2
- MVC
- SMG
- MSD/MSDG
- FC*
- STK
- SRL3
- SRG3
- SRM3**
- SRT3
- MRL2
- MRG2
- SM-25
- ShkAbs
- FJ
- FK
- Spd Contr
- Ending

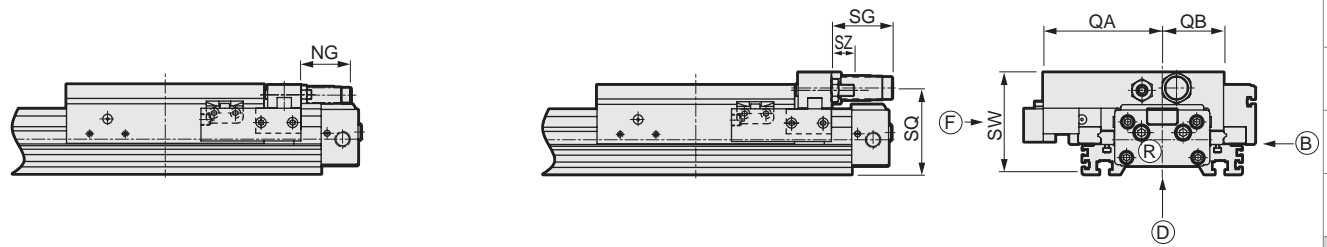
Note
In SRM3-Q (position locking)-25, 32 and 40, the T-switch is attached to the position in the figure below.



- Position locking/full stroke adjustable with light-load shock absorber (SRM3-Q-**-***-E1)



- Position locking/full stroke adjustable with standard shock absorber (SRM3-Q-**-***-A1)



| Code | QA | QB | QC | QD | QF | QG | QH | QL | QM | QN | QR | QS | QT | QV | QU |
|----------------|-----|------|------|------|------|----|----|------|-------|------|------|----|----|-----|----|
| Bore size (mm) | | | | | | | | | | | | | | | |
| ø25 or equiv. | 78 | 39 | 31 | 26.5 | 94 | 2 | 4 | 27.5 | 18 | 13 | 13 | 29 | 9 | 84 | 17 |
| ø32 or equiv. | 86 | 43 | 31 | 26.5 | 102 | 2 | 4 | 27.5 | 18 | 13 | 16.5 | 29 | 9 | 84 | 18 |
| ø40 or equiv. | 100 | 51.5 | 31 | 17.5 | 116 | 2 | 4 | 27.5 | 18 | 13 | 27.5 | 29 | 9 | 84 | 17 |
| ø63 or equiv. | 140 | 75 | 34 | 20.5 | 156 | 2 | 5 | 33 | 21.5 | 15 | 41 | 36 | 12 | 100 | 22 |
| Code | QX | QW | NE | NG | NQ | NZ | SC | SD | SW | SG | SQ | SX | SZ | L | |
| Bore size (mm) | | | | | | | | | | | | | | | |
| ø25 or equiv. | 26 | 150 | 56.5 | 24 | 50 | 4 | 24 | 2 | 66 | 22.5 | 53 | 37 | 4 | 244 | |
| ø32 or equiv. | 26 | 166 | 61.5 | 22.5 | 54 | 4 | 24 | 2 | 69.5 | 47 | 57.5 | 42 | 9 | 268 | |
| ø40 or equiv. | 26 | 194 | 74.5 | 42 | 66.5 | 9 | 28 | 3 | 85.5 | 51 | 70.5 | 48 | 19 | 324 | |
| ø63 or equiv. | 30 | 268 | 99.5 | 42 | 88 | 15 | 36 | 4 | 114.5 | 68 | 91.5 | 61 | 20 | 452 | |

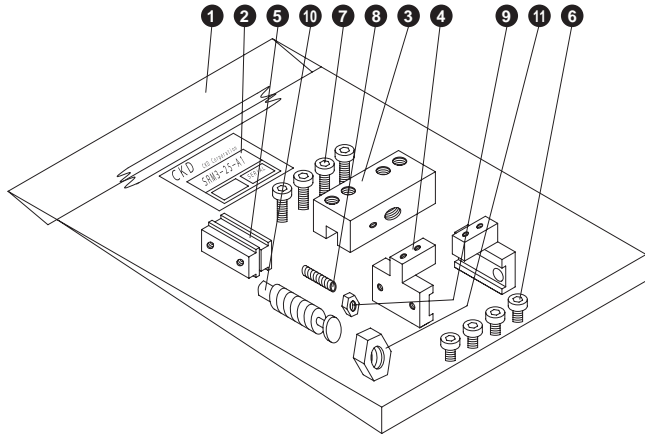
SCP*3
CMK2
CMA2
SCM
SCG
SCA2
SCS2
CKV2
CAV2/
COVPIN2
SSD2
SSG
SSD
CAT
MDC2
MVC
SMG
MSD/
MSDG
FC*
STK
SRL3
SRG3
SRM3
SRT3
MRL2
MRG2
SM-25
ShkAbs
FJ
FK
Spd
Contr
Ending

Full stroke adjusting bracket kit

● Full stroke adjusting bracket kit (with shock absorber)

SRM3 - 25 - A1

Bore size
(Item B on page 1678)

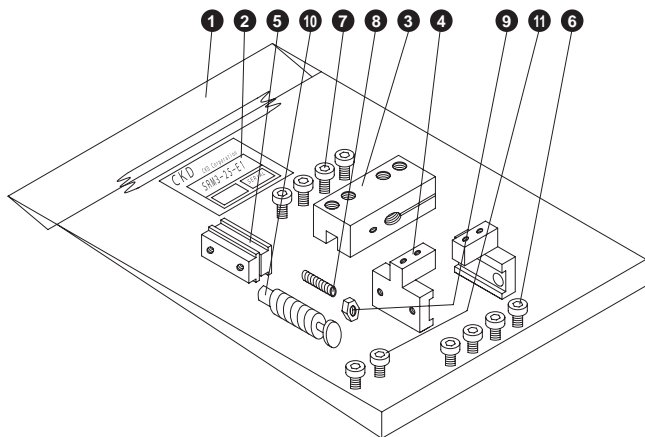


| No. | Part name | Quantity |
|-----|-------------------------------|----------|
| 1 | Plastic bag | 1 |
| 2 | Package label | 1 |
| 3 | Plate (1) | 1 |
| 4 | Adaptor | 2 |
| 5 | Adaptor nut | 2 |
| 6 | Hexagon socket head cap screw | 4 |
| 7 | Hexagon socket head cap screw | 4 |
| 8 | Hexagon socket set screw | 1 |
| 9 | Hexagon nut | 1 |
| 10 | Shock absorber | 1 |
| 11 | Hexagon nut | 1 |

● Full stroke adjusting bracket kit (with light-load shock absorber)

SRM3 - 25 - E1

Bore size
(Item B on page 1678)



| No. | Part name | Quantity |
|-----|-------------------------------|----------|
| 1 | Plastic bag | 1 |
| 2 | Package label | 1 |
| 3 | Plate (3) | 1 |
| 4 | Adaptor | 2 |
| 5 | Adaptor nut | 2 |
| 6 | Hexagon socket head cap screw | 4 |
| 7 | Hexagon socket head cap screw | 4 |
| 8 | Hexagon socket set screw | 1 |
| 9 | Hexagon nut | 1 |
| 10 | Shock absorber | 1 |
| 11 | Hexagon nut | 1 |

Kit weight list

Repair parts kit

| Kit No. | Weight (g) |
|------------|-----------------------|
| SRM3-25K-□ | 29 + 10 x stroke/100 |
| SRM3-32K-□ | 33 + 10 x stroke/100 |
| SRM3-40K-□ | 66 + 18 x stroke/100 |
| SRM3-63K-□ | 115 + 18 x stroke/100 |

Full stroke adjusting bracket kit (with light-load shock absorber)

| Kit No. | Weight (g) |
|------------|------------|
| SRM3-25-E1 | 174 |
| SRM3-32-E1 | 207 |
| SRM3-40-E1 | 349 |
| SRM3-63-E1 | 930 |

Full stroke adjusting bracket kit (with shock absorber)

| Kit No. | Weight (g) |
|------------|------------|
| SRM3-25-A1 | 247 |
| SRM3-32-A1 | 298 |
| SRM3-40-A1 | 581 |
| SRM3-63-A1 | 1316 |

SCP*3
 CMK2
 CMA2
 SCM
 SCG
 SCA2
 SCS2
 CKV2
 CAV2/
 COVP/N2
 SSD2
 SSG
 SSD
 CAT
 MDC2
 MVC
 SMG
 MSD/
 MSDG
 FC*
 STK
 SRL3
 SRG3
 SRM3
 SRT3
 MRL2
 MRG2
 SM-25
 ShkAbs
 FJ
 FK
 Spd
 Contr
 Ending