

LCM
LCR
LCG
LCW
LCX
STM
STG
STS/STL
STR2
UCA2
ULK*
JSK/M2
JSG
JSC3/JSC4
USSD
UFCD
USC
UB
JSB3
LMB
LML
HCM
HCA
LBC
CAC4
UCAC2
CAC-N
UCAC-N
RCS2
RCC2
PCC
SHC
MCP
GLC
MFC
BBS
RRC
GRC
RV3*
NHS
HRL
LN
Hand
Chuk
MechHnd/Chuk
ShkAbs
FJ
FK
SpdContr
Ending



Twin rod cylinder Double acting/standard

STR2-^M_B Series

● Bore size: $\phi 6/\phi 10/\phi 16/\phi 20/\phi 25/\phi 32$

JIS symbol



Specifications

Item		STR2-M (metal bush bearing)			STR2-B (ball bearing)		
Bore size	mm	$\phi 6$	$\phi 10$	$\phi 16$	$\phi 20$	$\phi 25$	$\phi 32$
Actuation		Double acting					
Working fluid		Compressed air					
Max. working pressure	MPa	0.7 (≈ 100 psi, 7 bar)					
Min. working pressure	MPa	0.2 (≈ 29 psi, 2 bar)	0.15 (≈ 22 psi, 1.5 bar)	0.1 (≈ 15 psi, 1 bar)			
Proof pressure	MPa	1.05 (≈ 150 psi, 10.5 bar)					
Ambient temperature	$^{\circ}\text{C}$	-10 (14 $^{\circ}\text{F}$) to 60 (140 $^{\circ}\text{F}$) (no freezing)					
Port size		M5					Rc1/8
Stroke tolerance	mm	+2.0					
		0					
Adjustable stroke range	mm	0 to -5					
Working piston speed	mm/s	50 to 500					
Non-rotating accuracy (reference value)	STR2-M	$\pm 0.4^{\circ}$	$\pm 0.3^{\circ}$			$\pm 0.2^{\circ}$	
	STR2-B	$\pm 0.2^{\circ}$	$\pm 0.1^{\circ}$			$\pm 0.3^{\circ}$	
Piston rod	STR2-M	Metal bush bearing					
Bearing	STR2-B	Ball bearing					
Cushion		Rubber cushion					
Lubrication		Not required (use turbine oil class 1 ISO VG32 if necessary for lubrication)					
Max absorbed energy	PUSH	0.008	0.061	0.181	0.303	0.68	1.3
	PULL	0.059	0.083	0.083	0.127	0.237	0.311

Stroke length

Bore size	Stroke length (mm)	Max. stroke length (mm)	Min. stroke length (mm)	Available stroke length (mm)	Min. stroke with switch (mm)
$\phi 6$	10, 20, 30, 40, 50	50	5	100	10
$\phi 10$					
$\phi 16$	10, 20, 30, 40, 50 60, 70, 80, 90, 100	100	*1	200	10
$\phi 20$					
$\phi 25$					
$\phi 32$					

*1 : In the case of rear piping:

- $\phi 16$: 70
- $\phi 20/\phi 25$: 60
- $\phi 32$: 50

*2 : Custom stroke length

Available in 1 mm increments.
However, the total length is the same as that of the next longer standard stroke length.

Theoretical thrust table

(Unit: N)

Bore size (mm)	Operating direction	Working pressure MPa							
		0.1	0.15	0.2	0.3	0.4	0.5	0.6	0.7
$\phi 6$	Push	-	-	11.3	17.0	22.6	28.3	33.9	39.6
	Pull	-	-	6.28	9.42	12.6	15.7	18.8	22.0
$\phi 10$	Push	-	23.6	31.4	47.1	62.8	78.5	94.2	1.10×10^2
	Pull	-	15.1	20.1	30.2	40.2	50.3	60.3	70.4
$\phi 16$	Push	40.2	60.3	80.4	1.21×10^2	1.61×10^2	2.01×10^2	2.41×10^2	2.81×10^2
	Pull	24.5	36.8	49.0	73.5	98.0	1.23×10^2	1.47×10^2	1.72×10^2
$\phi 20$	Push	62.8	94.2	1.26×10^2	1.88×10^2	2.51×10^2	3.14×10^2	3.77×10^2	4.40×10^2
	Pull	40.2	60.3	80.4	1.21×10^2	1.61×10^2	2.01×10^2	2.41×10^2	2.81×10^2
$\phi 25$	Push	98.2	1.47×10^2	1.96×10^2	2.95×10^2	3.93×10^2	4.91×10^2	5.89×10^2	6.87×10^2
	Pull	67.4	1.01×10^2	1.35×10^2	2.02×10^2	2.70×10^2	3.37×10^2	4.04×10^2	4.72×10^2
$\phi 32$	Push	1.61×10^2	2.41×10^2	3.22×10^2	4.83×10^2	6.43×10^2	8.04×10^2	9.65×10^2	1.13×10^3
	Pull	1.21×10^2	1.81×10^2	2.41×10^2	3.62×10^2	4.83×10^2	6.03×10^2	7.24×10^2	8.44×10^2

Switch specifications

- 1-color/2-color display

Item	Proximity 2-wire		Proximity 3-wire			Reed 2-wire			
	K2H/K2V	K2YH/K2YV	K3H/K3V	K3PH/K3PV (Made to order)	K3YH/K3YV	K0H/K0V		K5H/K5V	
Applications	Dedicated for programmable controller		For programmable controller, relay			For programmable controller, relay		For programmable controller, relay, IC circuit (no indicator lamp), serial connection	
Output method	-		NPN output	PNP output	NPN output	-			
Power supply voltage	-		10 to 28 VDC			-			
Load voltage	10 to 30 VDC		30 VDC or less			12 VDC/24 VDC	110 VAC	5/12/24 VDC	110 VAC
Load current	5 to 20 mA (*3)		50 mA or less			5 to 50 mA	7 to 20 mA	50 mA or less	20 mA or less
Indicator lamp	LED (Lit when ON)	Red/green LED (Lit when ON)	LED (Lit when ON)	Yellow LED (Lit when ON)	Red/green LED (Lit when ON)	LED (Lit when ON)		-	
Leakage current	1 mA or less		10 μA or less			0 mA			
Weight	g								
	1 m:18 3 m:49 5 m:80	1 m:31 3 m:85 5 m:139	1 m:18 3 m:49 5 m:80		1 m:31 3 m:85 5 m:139	1 m:18 3 m:49 5 m:80			

*1 : Refer to Ending Page 1 for detailed switch specifications and dimensions.

*2 : Switches other than the above models, such as switches with connectors, are also available. Refer to Ending Page 1.

*3 : The max. load current is 20 mA at 25°C. The current is lower than 20 mA if the operating ambient temperature around the switch is higher than 25°C. (5 to 10 mA at 60°C)

Cylinder weight

Unit: g

Bore size	Product weight at 0 mm stroke		Additional weight per S = 10 mm
	STR2-M	STR2-B	
ø6	60	64	10
ø10	140	155	14
ø16	240	300	20
ø20	340	405	40
ø25	580	610	52
ø32	1300	1150	83

(Example) Product weight

STR2-M-6-10-K2H-D

- Product weight for 0 mm stroke length ... 60 g
- Additional weight for stroke length 10 mm ... 10 g x 1 = 10 g
- Weight of 2 cylinder switches ... 18 g x 2 = 36 g
- Product weight ... 60 g + 10 g + 36 g = 106 g

Clean-room specifications (Catalog No. CB-033SA)

- Anti-dust generation structure for use in cleanrooms

STR2-B-.....-P7*

STR2-B-.....-P5*

Specifications for rechargeable battery (Catalog No. CC-1226A)

- Design compatible with rechargeable battery manufacturing process.

STR2-M-B-.....-P4*

LCM
LCR
LCC
LCW
LCX
STM
STG
STS/STL
STR2
UCA2
ULK*
JSK/M2
JSG
JSC3/JSC4
USSD
UFCD
USC
UB
JSB3
LMB
LML
HCM
HCA
LBC
CAC4
UCAC2
CAC-N
UCAC-N
RCS2
RCC2
PCC
SHC
MCP
GLC
MFC
BBS
RRC
GRC
RV3*
NHS
HRL
LN
Hand
Chuk
MechHnd/Chuk
ShkAbs
FJ
FK
SpdContr
Ending

STR2-M B Series

How to order

Without switch (built-in magnet for switch)

STR2 - M - 16 - 30 - F

With switch (built-in magnet for switch)

STR2 - M - 16 - 30 - K0H - R - F

Model No.

A Bearing

B Bore size

C Port thread

D Stroke length

*1

■ The custom stroke length is available in 1 mm increments.

E Switch model No.

*2

F Switch quantity

G Option

*3

*4

⚠ Precautions for model No. selection

*1 : The max stroke length of rear piping "R" is:

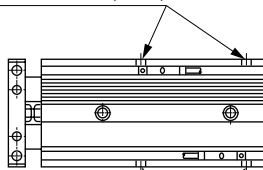
- $\phi 6/10$: 50 Stroke
- $\phi 16$: 70 Stroke
- $\phi 20/25$: 60 Stroke
- $\phi 32$: 50 Stroke

*2 : STR2-B-6 and 10 are not compatible with a reed switch.

*3 : The ball bearing is copper and PTFE free "P6" standard.

*4 : The piping port positions for "O" are as shown in the figure below.

Piping port positions for standard (blank)



Piping port position on the 180° opposite side (Code: O) piping port

*5 : In the case of G thread, ports on the opposite side (option "O") are not available. Rather than plug sealing, they are simply not provided.
(The standard ports are not provided in the case of option "O".)

Code	Description					
A Bearing						
M	Metal bush bearing					
B	Ball bearing					
B Bore size (mm)						
6	$\phi 6$					
10	$\phi 10$					
16	$\phi 16$					
20	$\phi 20$					
25	$\phi 25$					
32	$\phi 32$					
C Port thread						
Blank	Rc thread					
NN	NPT thread ($\phi 32$ only) (made-to-order product)					
GN	G thread ($\phi 32$ only) (made-to-order product) *5					
D Stroke length (mm)						
Bore size	Stroke length	Available stroke length	Custom stroke length			
$\phi 6$	5 to 50	100	In 1 mm increments			
$\phi 10$	5 to 50	100				
$\phi 16$	5 to 100	200				
$\phi 20$	5 to 100	200				
$\phi 25$	5 to 100	200				
$\phi 32$	5 to 100	200				
E Switch model No.						
Axial lead wire	Radial lead wire	Contact	Voltage		Indicator	Lead wire
			AC	DC		
K0H*	K0V*	Reed	●	●	1-color display	2-wire
			●	●	no indicator lamp	
K2H*	K2V*	Proximity	●	●	1-color display	2-wire
			●	●	1-color display (made to order)	3-wire
K3PH*	K3PV*		●	●	1-color display (made to order)	3-wire
			●	●	2-color display	2-wire
K2YH*	K2YV*	●	●	2-color display	3-wire	
		●	●			
K3YH*	K3YV*	●	●			
		●	●			
* Lead wire length						
Blank	1 m (standard)					
3	3 m (option)					
5	5 m (option)					
F Switch quantity						
R	1 on rod side					
H	1 on head side					
D	2					
G Option						
F	End plate material: steel					
P6	Copper and PTFE free					
O	Piping port position on the 180° opposite side					
R	Rear piping					

[Example of model No.]

STR2-M-16-30-K0H-R-F

Model: Twin rod cylinder, standard

- A** Bearing : Metal bush bearing
- B** Bore size : $\phi 16$ mm
- C** Port thread : Rc thread
- D** Stroke length : 30 mm
- E** Switch model No.: Reed K0H switch
- F** Switch quantity : 1 on rod side
- G** Option : End plate material: steel

How to order switch

SW - K0H*

Switch model No.
(Item **E** above)

MEMO

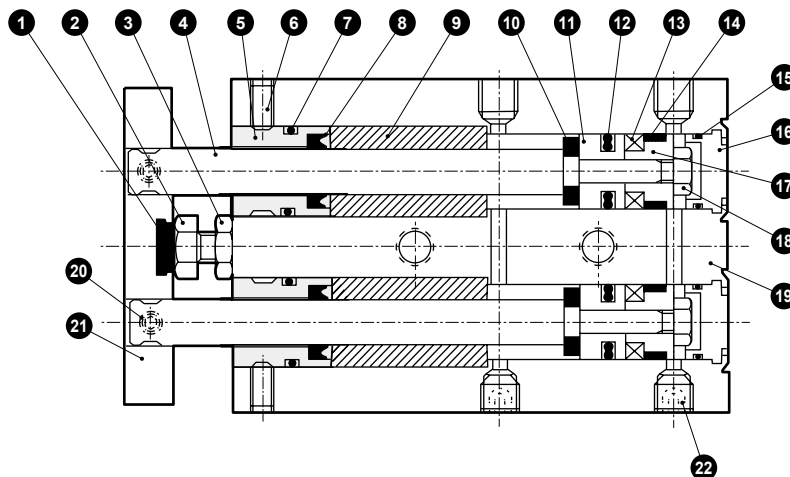
LCM
LCR
LCG
LCW
LCX
STM
STG
STS/STL
STR2
UCA2
ULK*
JSK/M2
JSG
JSC3/JSC4
USSD
UFCD
USC
UB
JSB3
LMB
LML
HCM
HCA
LBC
CAC4
UCAC2
CAC-N
UCAC-N
RCS2
RCC2
PCC
SHC
MCP
GLC
MFC
BBS
RRC
GRC
RV3*
NHS
HRL
LN
Hand
Chuk
MechHnd/Chuk
ShkAbs
FJ
FK
SpdContr
Ending

STR2-M Series

- LCM
- LCR
- LCG
- LCW
- LCX
- STM
- STG
- STS/STL
- STR2**
- UCA2
- ULK*
- JSK/M2
- JSG
- JSC3/JSC4
- USSD
- UFCD
- USC
- UB
- JSB3
- LMB
- LML
- HCM
- HCA
- LBC
- CAC4
- UCAC2
- CAC-N
- UCAC-N
- RCS2
- RCC2
- PCC
- SHC
- MCP
- GLC
- MFC
- BBS
- RRC
- GRC
- RV3*
- NHS
- HRL
- LN
- Hand
- Chuk
- MecHnd/Chuk
- ShkAbs
- FJ
- FK
- SpdContr
- Ending

Internal structure and parts list (metal bush bearing $\phi 6/\phi 10$)

- Standard
STR2-M
- End plate material: steel
STR2-M-F
- Copper and PTFE free
STR2-M-P6
- Piping port position on the 180° opposite side
STR2-M ... -O



No.	Part name	Material	Remarks	No.	Part name	Material	Remarks
1	Cushion rubber (H)	Urethane rubber		12	Piston packing	Nitrile rubber	
2	Hexagon head bolt	Stainless steel		13	Magnet	Plastic	
3	Hexagon nut	Stainless steel		14	Wear ring	Acetal resin	
4	Piston rod	Stainless steel		15	O-ring	Nitrile rubber	
5	Housing	Stainless steel		16	Cap	Aluminum alloy	Chromate
6	Hexagon socket set screw	Stainless steel		17	Spacer	Aluminum alloy	Chromate
7	O-ring	Nitrile rubber		18	Hexagon nut	Steel	Zinc chromate
8	Rod packing	Nitrile rubber		19	Cylinder body	Aluminum alloy	Hard alumite
9	Bush	Aluminum alloy		20	Hexagon socket set screw	Stainless steel	
10	Cushion rubber (R)	Urethane rubber		21	End plate *1	Aluminum alloy	Alumite
11	Piston	Aluminum alloy	Chromate	22	Hexagon socket set screw	Stainless steel	

*1 : The steel end plate is zinc chromate.

Repair parts list

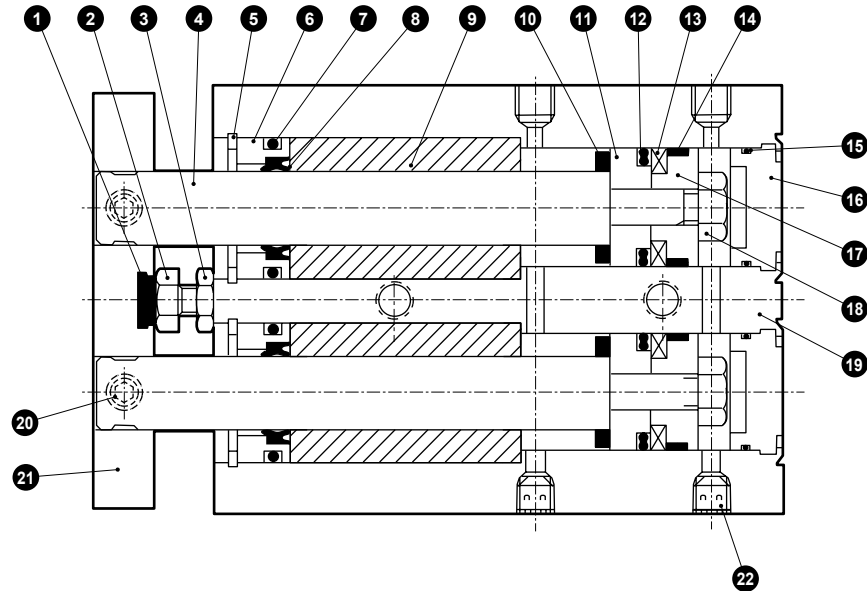
STR2-M (standard), STR2-M-F (end plate material: steel), STR2-M-P6 (copper and PTFE free)

Bore size (mm)	Kit No.	Repair parts No.
$\phi 6$	STR2-6K	1 7 8 10 12 14
$\phi 10$	STR2-10K	

Note : Specify the kit No. when placing an order.

Internal structure and parts list (metal bush bearing $\phi 16/\phi 20/\phi 25/\phi 32$)

- Standard
STR2-M
- End plate material: steel
STR2-M-F
- Copper and PTFE free
STR2-M-P6
- Piping port position on the 180° opposite side
STR2-M ... -O



No.	Part name	Material	Remarks	No.	Part name	Material	Remarks
1	Cushion rubber (H)	Urethane rubber		12	Piston packing	Nitrile rubber	
2	Hexagon head bolt	Stainless steel		13	Magnet	Plastic	
3	Hexagon nut	Stainless steel		14	Wear ring	Acetal resin	
4	Piston rod	Stainless steel ($\phi 16, \phi 20$) Steel ($\phi 25, \phi 32$)	Industrial chrome plating	15	O-ring	Nitrile rubber	
5	Snap ring for hole	Stainless steel		16	Cap	Aluminum alloy	Chromate
6	Housing	Aluminum alloy	Chromate	17	Spacer	Aluminum alloy	Chromate
7	O-ring	Nitrile rubber		18	Hexagon nut	Steel	Zinc chromate
8	Rod packing	Nitrile rubber		19	Cylinder body	Aluminum alloy	Hard alumite
9	Bush	Aluminum alloy		20	Hexagon socket set screw	Stainless steel	
10	Cushion rubber (R)	Urethane rubber		21	End plate *1	Aluminum alloy	Alumite
11	Piston	Aluminum alloy	Chromate	22	Hexagon socket set screw	Stainless steel	

*1 : The steel end plate is zinc chromate.

Repair parts list

STR2-M (standard), STR2-M-F (end plate material: steel), STR2-M-P6 (copper and PTFE free)

Bore size (mm)	Kit No.	Repair parts No.
$\phi 16$	STR2-16K	
$\phi 20$	STR2-20K	1 7 8
$\phi 25$	STR2-25K	10 12 14
$\phi 32$	STR2-32K	

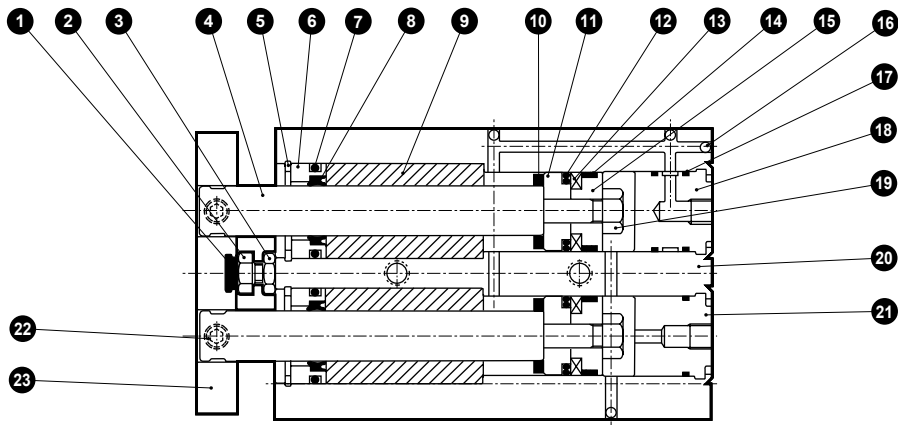
Note : Specify the kit No. when placing an order.

LCM
LCR
LCG
LCW
LCX
STM
STG
STS/STL
STR2
UCA2
ULK*
JSK/M2
JSG
JSC3/JSC4
USSD
UFCD
USC
UB
JSB3
LMB
LML
HCM
HCA
LBC
CAC4
UCAC2
CAC-N
UCAC-N
RCS2
RCC2
PCC
SHC
MCP
GLC
MFC
BBS
RRC
GRC
RV3*
NHS
HRL
LN
Hand
Chuk
MechHnd/Chuk
ShkAbs
FJ
FK
SpdContr
Ending

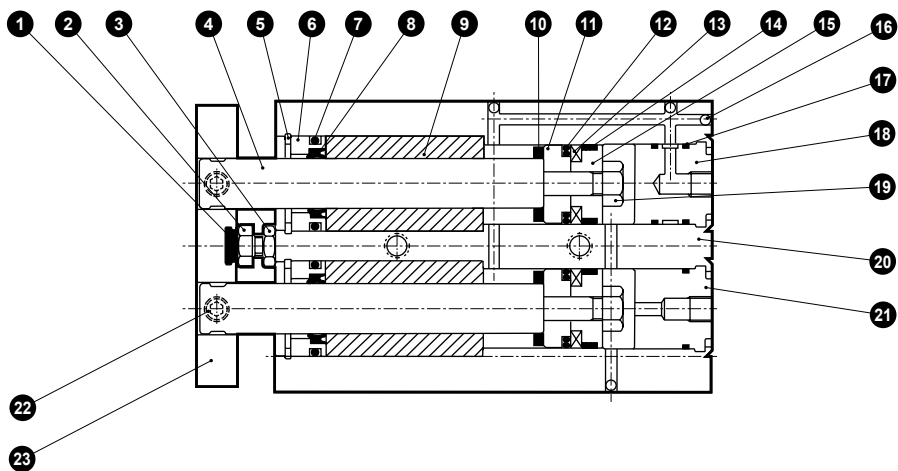
STR2-M-R Series

Internal structure and parts list (metal bush bearing $\phi 6/\phi 10/\phi 16/\phi 20/\phi 25/\phi 32$)

● Rear piping
STR2-M-R
 $\phi 6, \phi 10$



$\phi 16$ to $\phi 32$



No.	Part name	Material	Remarks	No.	Part name	Material	Remarks
1	Cushion rubber (H)	Urethane rubber		12	Piston packing	Nitrile rubber	
2	Hexagon head bolt	Stainless steel		13	Magnet	Plastic	
3	Hexagon nut	Stainless steel		14	Wear ring	Acetal resin	
4	Piston rod	Stainless steel ($\phi 6$ to $\phi 20$) Steel ($\phi 25, \phi 32$)	Industrial chrome plating ($\phi 16$ to $\phi 32$)	15	Spacer	Aluminum alloy	Chromate
5	Snap ring for hole	Stainless steel		16	Steel ball	Steel	
6	Housing	Stainless steel ($\phi 6, \phi 10$) Aluminum alloy ($\phi 16$ to $\phi 32$)	Chromate	17	O-ring	Nitrile rubber	
7	O-ring	Nitrile rubber		18	Cap (A)	Aluminum alloy	Chromate
8	Rod packing	Nitrile rubber		19	Hexagon nut	Steel	Zinc chromate
9	Bush	Aluminum alloy		20	Cylinder body	Aluminum alloy	Hard alumite
10	Cushion rubber (R)	Urethane rubber		21	Cap (B)	Aluminum alloy	Chromate
11	Piston	Aluminum alloy	Chromate	22	Hexagon socket set screw	Stainless steel	
				23	End plate	Aluminum alloy	Alumite

*: The steel end plate is zinc chromate.

Repair parts list

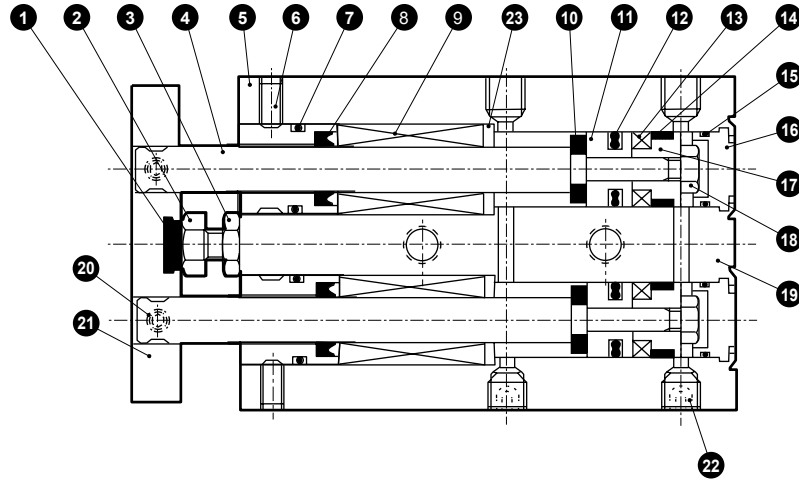
STR2-M-R (rear piping)

Bore size (mm)	Kit No.	Repair parts No.
$\phi 6$	STR2-6K	
$\phi 10$	STR2-10K	
$\phi 16$	STR2-16K	1 7 8
$\phi 20$	STR2-20K	10 12 14
$\phi 25$	STR2-25K	
$\phi 32$	STR2-32K	

Note : Specify the kit No. when placing an order.

Internal structure and parts list (ball bearing $\phi 6/\phi 10$)

- Standard
STR2-B
- End plate material: steel
STR2-B-F
- Piping port position on the 180° opposite side
STR2-B ... -O



LCM
LCR
LCG
LCW
LCX
STM
STG
STS/STL
STR2
UCA2
ULK*
JSK/M2
JSG
JSC3/JSC4
USSD
UFCD
USC
UB
JSB3
LMB
LML
HCM
HCA
LBC
CAC4
UCAC2
CAC-N
UCAC-N
RCS2
RCC2
PCC
SHC
MCP
GLC
MFC
BBS
RRC
GRC
RV3*
NHS
HRL
LN
Hand
Chuk
MechHnd/Chuk
ShkAbs
FJ
FK
SpdContr
Ending

No.	Part name	Material	Remarks	No.	Part name	Material	Remarks
1	Cushion rubber (H)	Urethane rubber		13	Magnet	Plastic	
2	Hexagon head bolt	Stainless steel		14	Wear ring	Acetal resin	
3	Hexagon nut	Stainless steel		15	O-ring	Nitrile rubber	
4	Piston rod	Steel	Industrial chrome plating	16	Cap	Aluminum alloy	Chromate
5	Housing	Stainless steel		17	Spacer	Aluminum alloy	Chromate
6	Hexagon socket set screw	Stainless steel		18	Hexagon nut	Steel	Zinc chromate
7	O-ring	Nitrile rubber		19	Cylinder body	Aluminum alloy	Hard alumite
8	Rod packing	Nitrile rubber		20	Hexagon socket set screw	Stainless steel	
9	Bearing			21	End plate *1	Aluminum alloy	Alumite
10	Cushion rubber (R)	Urethane rubber		22	Hexagon socket set screw	Stainless steel	
11	Piston	Aluminum alloy	Chromate	23	Spacer	Aluminum alloy	Chromate
12	Piston packing	Nitrile rubber					

*1 : The steel end plate is zinc chromate.

Repair parts list

STR2-B (standard), STR2-B-F (end plate material: steel)

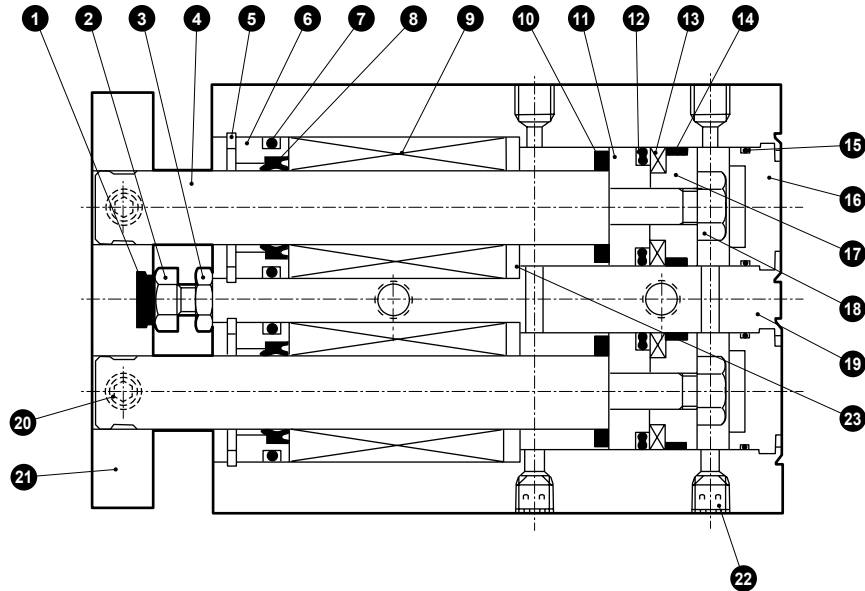
Bore size (mm)	Kit No.	Repair parts No.
$\phi 6$	STR2-6K	1 7 8 10 12 14
$\phi 10$	STR2-10K	

Note : Specify the kit No. when placing an order.

STR2-B Series

Internal structure and parts list (ball bearing $\phi 16/\phi 20/\phi 25/\phi 32$)

- Standard
STR2-B
- End plate material: steel
STR2-B-F
- Piping port position on the 180° opposite side
STR2-B ... -O



No.	Part name	Material	Remarks	No.	Part name	Material	Remarks
1	Cushion rubber (H)	Urethane rubber		13	Magnet	Plastic	
2	Hexagon head bolt	Stainless steel		14	Wear ring	Acetal resin	
3	Hexagon nut	Stainless steel		15	O-ring	Nitrile rubber	
4	Piston rod	Steel	Industrial chrome plating	16	Cap	Aluminum alloy	Chromate
5	Snap ring for hole	Stainless steel		17	Spacer	Aluminum alloy	Chromate
6	Housing	Aluminum alloy	Chromate	18	Hexagon nut	Steel	Zinc chromate
7	O-ring	Nitrile rubber		19	Cylinder body	Aluminum alloy	Hard alumite
8	Rod packing	Nitrile rubber		20	Hexagon socket set screw	Stainless steel	
9	Bearing			21	End plate *1	Aluminum alloy	Alumite
10	Cushion rubber (R)	Urethane rubber		22	Hexagon socket set screw	Stainless steel	
11	Piston	Aluminum alloy	Chromate	23	Spacer	Aluminum alloy	Chromate
12	Piston packing	Nitrile rubber					

*1 : The steel end plate is zinc chromate.

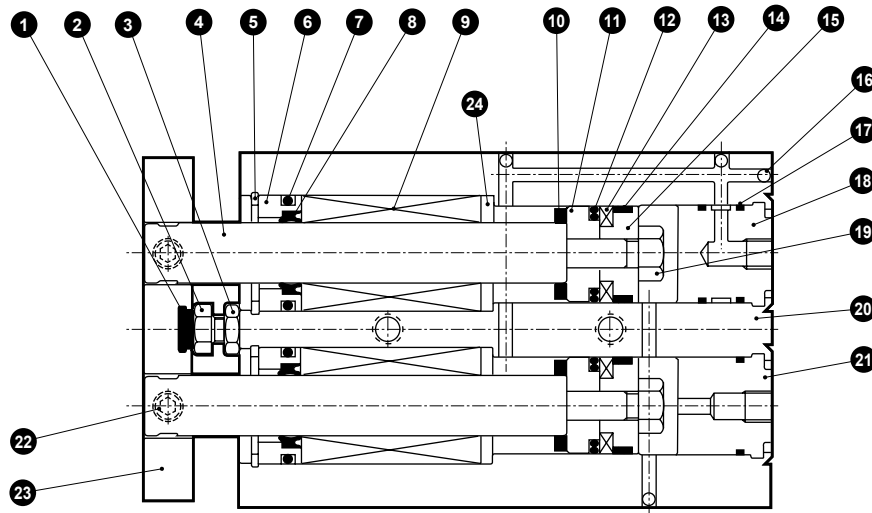
Repair parts list

STR2-B (standard), STR2-B-F (end plate material: steel)

Bore size (mm)	Kit No.	Repair parts No.
$\phi 16$	STR2-16K	
$\phi 20$	STR2-20K	1 7 8
$\phi 25$	STR2-25K	10 12 14
$\phi 32$	STR2-32K	

Internal structure and parts list (ball bearing)

● Rear piping
STR2-B-R



LCM
LCR
LCG
LCW
LCX
STM
STG
STS/STL
STR2
UCA2
ULK*
JSK/M2
JSG
JSC3/JSC4
USSD
UFCD
USC
UB
JSB3
LMB
LML
HCM
HCA
LBC
CAC4
UCAC2
CAC-N
UCAC-N
RCS2
RCC2
PCC
SHC
MCP
GLC
MFC
BBS
RRC
GRC
RV3*
NHS
HRL
LN
Hand
Chuk
MechHnd/Chuk
ShkAbs
FJ
FK
SpdContr
Ending

No.	Part name	Material	Remarks	No.	Part name	Material	Remarks
1	Cushion rubber (H)	Urethane rubber		13	Magnet	Plastic	
2	Hexagon head bolt	Stainless steel		14	Wear ring	Acetal resin	
3	Hexagon nut	Stainless steel		15	Spacer	Aluminum alloy	Chromate
4	Piston rod	Steel	Industrial chrome plating	16	Steel ball	Steel	
5	Snap ring for hole	Stainless steel		17	O-ring	Nitrile rubber	
6	Housing	Stainless steel (ø6, ø10) Aluminum alloy (ø16 to ø32)	Chromate	18	Cap (A)	Aluminum alloy	Chromate
7	O-ring	Nitrile rubber		19	Hexagon nut	Steel	Zinc chromate
8	Rod packing	Nitrile rubber		20	Cylinder body	Aluminum alloy	Hard alumite
9	Bearing			21	Cap (B)	Aluminum alloy	Chromate
10	Cushion rubber (R)	Urethane rubber		22	Hexagon socket set screw	Stainless steel	
11	Piston	Aluminum alloy	Chromate	23	End plate	Aluminum alloy	Alumite
12	Piston packing	Nitrile rubber		24	Spacer	Aluminum alloy	Chromate

Repair parts list

STR2-B-R (rear piping)

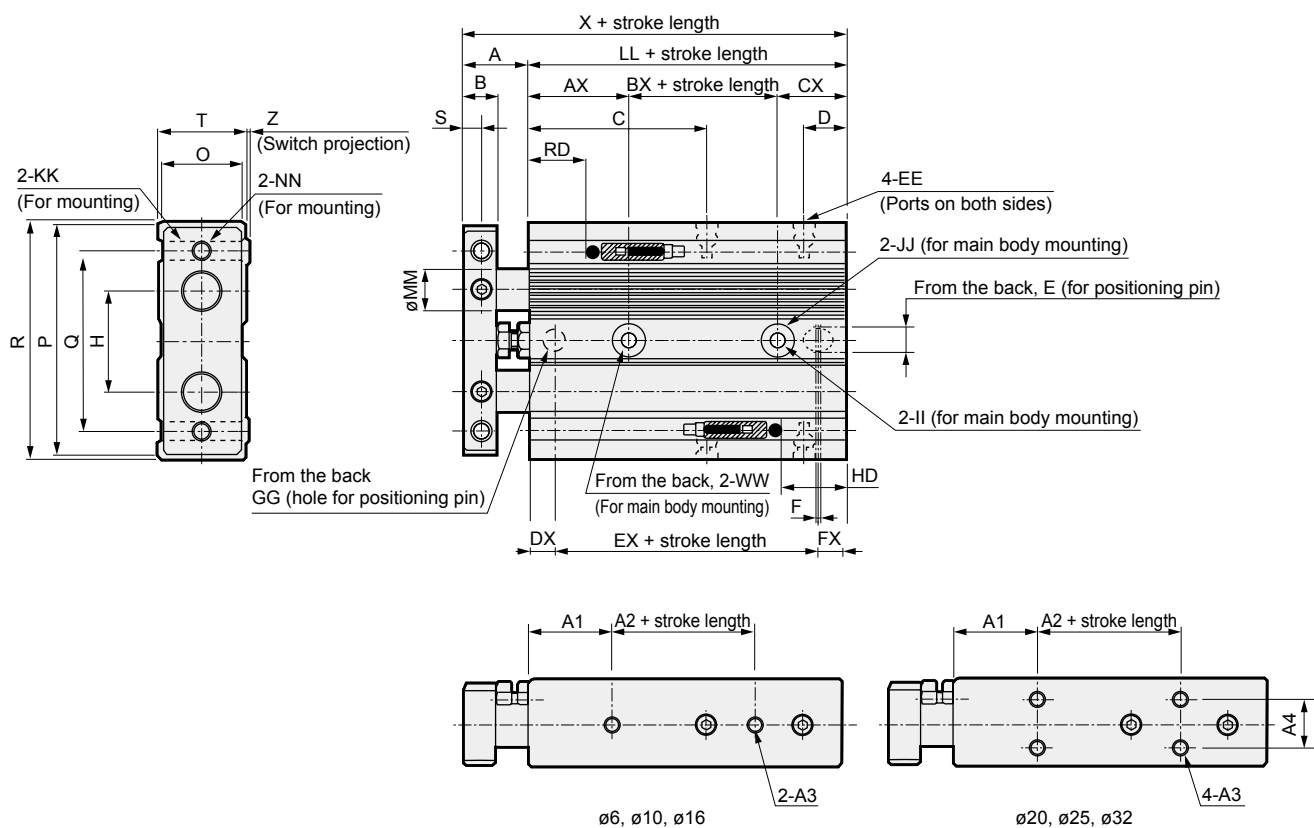
Bore size (mm)	Kit No.	Repair parts No.
ø 6	STR2-6K	
ø10	STR2-10K	
ø16	STR2-16K	1 7 8
ø20	STR2-20K	10 12 14
ø25	STR2-25K	
ø32	STR2-32K	

Note : Specify the kit No. when placing an order.



Dimensions (ø6 to ø32)

● Standard, end plate material: steel (F), copper and PTFE free (P6), piping port position on the 180° opposite side (O)



*1 : HD and RD dimensions for 10 mm stroke length differ from these dimensions according to the setting.

*2 : When using a custom stroke length, the total length is the same as that of the next longer standard stroke length.

*3 : Refer to page 618 for HD, RD and protruding dimensions of the 2-color display switch.

Code	Basic, O, F and P6 basic dimensions																
Bore size (mm)	A	B	C	D	E	EE	F	GG	H	II	JJ	KK	LL	MM	NN	O	P
ø 6	12	6	24.5	7.5	4 ^{+0.07} _{-0.02} depth 4	M5	1	4 ^{+0.07} _{-0.02} depth 4	14	3.4	6.5 spot face depth 3.3	M3 through	44	4	M3 through	11	34
ø10	14	6	35	7	4 ^{+0.07} _{-0.02} depth 4	M5	1	4 ^{+0.07} _{-0.02} depth 4	20	4.3	8 spot face depth 4.4	M4 through	55	6	M4 through	13	42
ø16	16	8	43	9.5	6 ^{+0.07} _{-0.02} depth 6	M5	1	6 ^{+0.07} _{-0.02} depth 6	25	4.3	8 spot face depth 4.4	M5 through	66	10	M5 through	19	52
ø20	20	10	46	9.5	6 ^{+0.07} _{-0.02} depth 6	M5	1	6 ^{+0.07} _{-0.02} depth 6	28	5.2	9.5 spot face depth 5.4	M5 through	75	12	M5 through	24	60
ø25	22	12	44	10.5	6 ^{+0.07} _{-0.02} depth 6	M5	1	6 ^{+0.07} _{-0.02} depth 6	34	6.3	11 spot face depth 6.5	M6 through	75	14	M6 through	30	70
ø32	22	12	56	11	6 ^{+0.07} _{-0.02} depth 6	Rc1/8	1	6 ^{+0.07} _{-0.02} depth 6	44	6.3	11 spot face depth 6.5	M6 through	91	16	M6 through	36	94

Code																		K0/K5/K2/K3	
Bore size (mm)	Q	R	S	T	WW	X	AX	BX	CX	DX	EX	FX	Z	A1	A2	A3	A4	HD	RD
ø 6	29	36	3	13	M4 depth 5	56	20	10	14	7	30	7	1.0	15	10	M3 depth 4	-	3.5 *1	21 *1
ø10	36	44	3	15	M5 depth 6	69	24	14	17	8	38	9	1.0	15	20	M3 depth 3.5	-	2.5 *1	33 *1
ø16	45	58	4	21	M5 depth 6	82	24	26	16	8	50	8	0.5	20	25	M4 depth 4	-	7	39.5
ø20	50	62	5	27	M6 depth 8	95	24	33	18	9	57	9	0.5	20	30	M4 depth 4	13	10.5	45
ø25	60	72	6	33	M8 depth 8	97	24	33	18	9	57	9	0.5	20	30	M5 depth 6	18	11.5	43.5
ø32	75	96	6	38	M8 depth 8	113	24	47	20	9	73	9	0.5	20	40	M5 depth 8	24	15.5	55.5

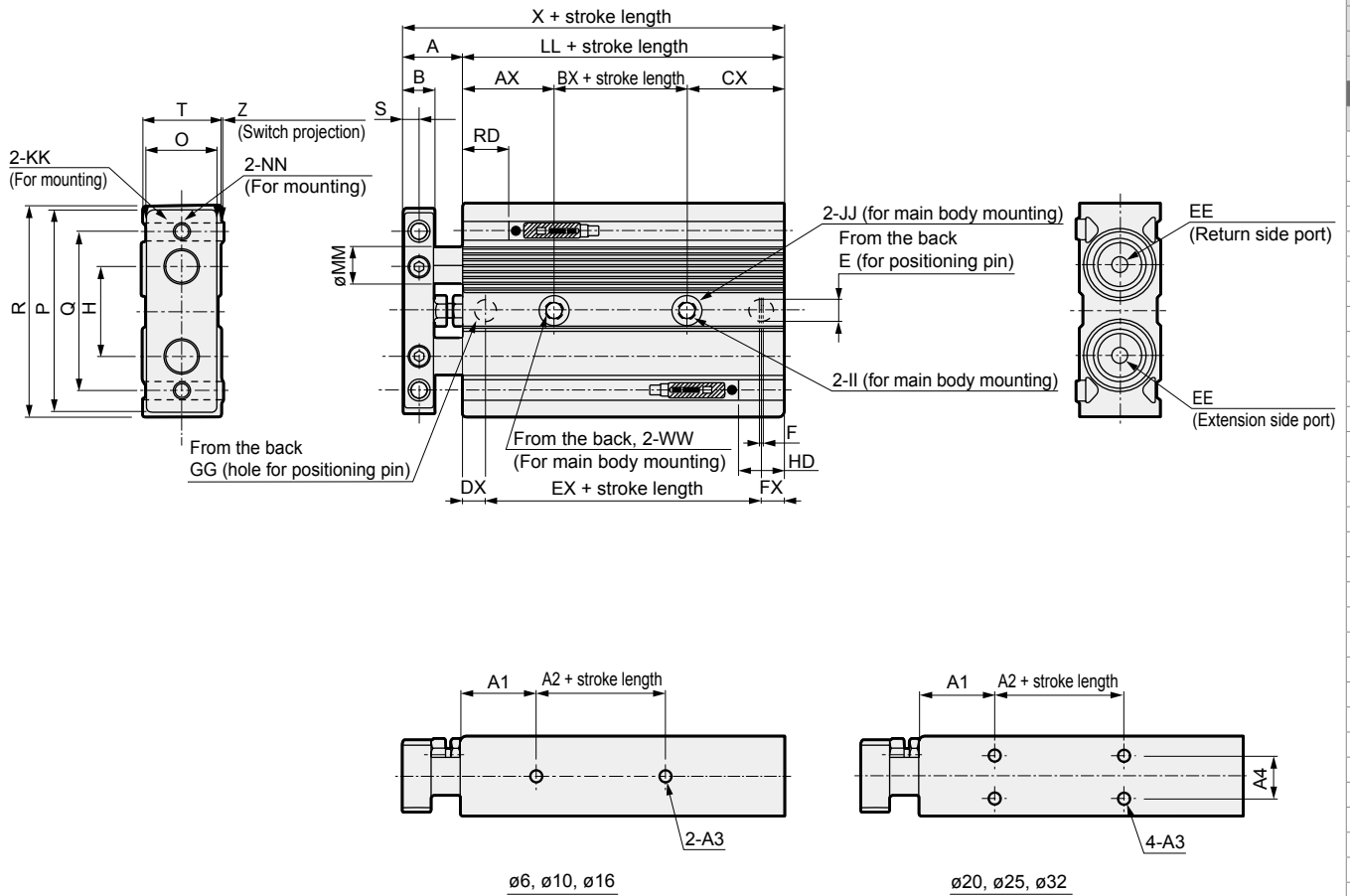
*4 : STR2-B-6 and 10 are not compatible with K0 and K5 reed switches.

*5 : The cylinder may tilt due to the uneven surface if it is installed with the spot face side (JJ) contacted. In this case, change the port position or use the option of piping port position on the 180° opposite side (O) to keep the spot face side from being the contacting surface.

Dimensions (ø6 to ø32)



● Rear piping (R)



- *1 : HD and RD dimensions for 10 mm stroke length differ from these dimensions according to the setting.
- *2 : When using a custom stroke length, the total length is the same as that of the next longer standard stroke length.
- *3 : Refer to page 618 for HD, RD and protruding dimensions of the 2-color display switch.

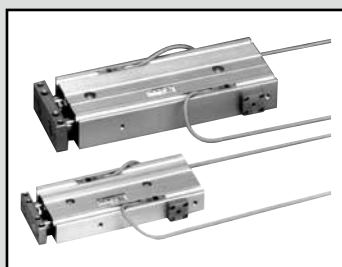
Code	R Basic dimensions																
Bore size (mm)	A	B	E	EE	F	GG	H	II	JJ	KK	LL	MM	NN	O	P		
ø 6	12	6	4 ^{+0.07} _{-0.02} depth 4	M5	1	4 ^{+0.07} _{-0.02} depth 4	14	3.4	6.5 spot face depth 3.3	M3 through	54	4	M3 through	11	34		
ø10	14	6	4 ^{+0.07} _{-0.02} depth 4	M5	1	4 ^{+0.07} _{-0.02} depth 4	20	4.3	8 spot face depth 4.4	M4 through	65	6	M4 through	13	42		
ø16	16	8	6 ^{+0.07} _{-0.02} depth 6	M5	1	6 ^{+0.07} _{-0.02} depth 6	25	4.3	8 spot face depth 4.4	M5 through	76	10	M5 through	19	52		
ø20	20	10	6 ^{+0.07} _{-0.02} depth 6	M5	1	6 ^{+0.07} _{-0.02} depth 6	28	5.2	9.5 spot face depth 5.4	M5 through	85	12	M5 through	24	60		
ø25	22	12	6 ^{+0.07} _{-0.02} depth 6	M5	1	6 ^{+0.07} _{-0.02} depth 6	34	6.3	11 spot face depth 6.5	M6 through	85	14	M6 through	30	70		
ø32	22	12	6 ^{+0.07} _{-0.02} depth 6	Rc1/8	1	6 ^{+0.07} _{-0.02} depth 6	44	6.3	11 spot face depth 6.5	M6 through	101	16	M6 through	36	94		

Code	K0/K5/K2/K3																		
Bore size (mm)	Q	R	S	T	WW	X	AX	BX	CX	DX	EX	FX	Z	A1	A2	A3	A4	HD	RD
ø 6	29	36	3	13	M4 depth 5	66	20	10	24	7	40	7	1.0	15	10	M3 depth 4	-	13.5	21
ø10	36	44	3	15	M5 depth 6	79	24	14	27	8	48	9	1.0	15	20	M3 depth 3.5	-	12.5	33
ø16	45	58	4	21	M5 depth 6	92	24	26	26	8	60	8	0.5	20	25	M4 depth 4	-	17	39.5
ø20	50	62	5	27	M6 depth 8	105	24	33	28	9	67	9	0.5	20	30	M4 depth 4	13	20.5	45
ø25	60	72	6	33	M8 depth 8	107	24	33	28	9	67	9	0.5	20	30	M5 depth 6	18	21.5	43.5
ø32	75	96	6	38	M8 depth 8	123	24	47	30	9	83	9	0.5	20	40	M5 depth 8	24	25.5	55.5

- *4 : STR2-B-6 and 10 are not compatible with K0 and K5 reed switches.
- *5 : The cylinder may tilt due to the uneven surface if it is installed with the spot face side (JJ) contacted. In this case, change the port position or use the option of piping port position on the 180° opposite side (O) to keep the spot face side from being the contacting surface.

- LCM
- LCR
- LCG
- LCW
- LCX
- STM
- STG
- STS/STL
- STR2**
- UCA2
- ULK*
- JSK/M2
- JSG
- JSC3/JSC4
- USSD
- UFCD
- USC
- UB
- JSB3
- LMB
- LML
- HCM
- HCA
- LBC
- CAC4
- UCAC2
- CAC-N
- UCAC-N
- RCS2
- RCC2
- PCC
- SHC
- MCP
- GLC
- MFC
- BBS
- RRC
- GRC
- RV3*
- NHS
- HRL
- LN
- Hand
- Chuk
- MechAndChuk
- ShkAbs
- FJ
- FK
- SpdContr
- Ending

LCM
LCR
LCG
LCW
LCX
STM
STG
STS/STL
STR2
UCA2
ULK*
JSK/M2
JSG
JSC3/JSC4
USSD
UFCD
USC
UB
JSB3
LMB
LML
HCM
HCA
LBC
CAC4
UCAC2
CAC-N
UCAC-N
RCS2
RCC2
PCC
SHC
MCP
GLC
MFC
BBS
RRC
GRC
RV3*
NHS
HRL
LN
Hand
Chuk
MecHnd/Chuk
ShkAbs
FJ
FK
SpdContr
Ending

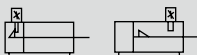


Twin rod cylinder/double acting/position locking

STR2-^M_BQ Series

● Bore size: $\phi 16/\phi 20/\phi 25/\phi 32$

JIS symbol



Specifications

Item		STR2-MQ (metal bush bearing)		STR2-BQ (ball bearing)	
Bore size	mm	$\phi 16$	$\phi 20$	$\phi 25$	$\phi 32$
Actuation		Double acting/position locking			
Working fluid		Compressed air			
Max. working pressure	MPa	0.7 (≈ 100 psi, 7 bar)			
Min. working pressure	MPa	0.15 (≈ 22 psi, 1.5 bar)			
Proof pressure	MPa	1.05 (≈ 150 psi, 10.5 bar)			
Ambient temperature	$^{\circ}\text{C}$	-10 (14 $^{\circ}\text{F}$) to 60 (140 $^{\circ}\text{F}$) (no freezing)			
Port size		M5		Rc1/8	
Stroke tolerance	mm	+2.0 0			
Adjustable stroke range	mm	Not adjustable (with head side position locking)/0 to -5 (with rod side position locking)			
Working piston speed	mm/s	50 to 500			
Non-rotating accuracy (reference value)	STR2-M	$\pm 0.3^{\circ}$		$\pm 0.2^{\circ}$	
	STR2-B	$\pm 0.1^{\circ}$		$\pm 0.3^{\circ}$	
Piston rod bearing	STR2-M	Metal bush bearing			
	STR2-B	Ball bearing			
Cushion		Rubber cushion			
Lubrication		Not required (use turbine oil class 1 ISO VG32 if necessary for lubrication)			
Position locking mechanism		Rod side or head side			
Holding force	N	Max. thrust x 0.7			
Max absorbed energy	PUSH	0.181	0.303	0.68	1.3
	PULL	0.083	0.127	0.237	0.311

Stroke length

Bore size	Stroke length (mm)	Max. stroke length (mm)	Min. stroke length (mm)	Min. stroke with switch (mm)
$\phi 16$	10, 20, 30, 40, 50 60, 70, 80, 90, 100	100	5	10
$\phi 20$				
$\phi 25$				
$\phi 32$				

*1: Custom stroke length is available as made to order.

Theoretical thrust table

(Unit: N)

Bore size (mm)	Operating direction	Working pressure MPa						
		0.15	0.2	0.3	0.4	0.5	0.6	0.7
$\phi 16$	Push	60.3	80.4	1.21×10^2	1.61×10^2	2.01×10^2	2.41×10^2	2.81×10^2
	Pull	36.8	49.0	73.5	98.0	1.23×10^2	1.47×10^2	1.72×10^2
$\phi 20$	Push	94.2	1.26×10^2	1.88×10^2	2.51×10^2	3.14×10^2	3.77×10^2	4.40×10^2
	Pull	60.3	80.4	1.21×10^2	1.61×10^2	2.01×10^2	2.41×10^2	2.81×10^2
$\phi 25$	Push	1.47×10^2	1.96×10^2	2.95×10^2	3.93×10^2	4.91×10^2	5.89×10^2	6.87×10^2
	Pull	1.01×10^2	1.35×10^2	2.02×10^2	2.70×10^2	3.37×10^2	4.04×10^2	4.72×10^2
$\phi 32$	Push	2.41×10^2	3.22×10^2	4.83×10^2	6.43×10^2	8.04×10^2	9.65×10^2	1.13×10^3
	Pull	1.81×10^2	2.41×10^2	3.62×10^2	4.83×10^2	6.03×10^2	7.24×10^2	8.44×10^2

⚠ Be sure to read the safety precautions of the **position locking STR2-Q** on pages 630 to 633 before use.

Switch specifications

- 1-color/2-color display

Item	Proximity 2-wire		Proximity 3-wire			Reed 2-wire			
	K2H/K2V	K2YH/K2YV	K3H/K3V	K3PH/K3PV (Made to order)	K3YH/K3YV	K0H/K0V		K5H/K5V	
Applications	Dedicated for programmable controller		For programmable controller, relay			For programmable controller, relay		For programmable controller, relay, IC circuit (without indicator lamp), serial connection	
Output method	-		NPN output	PNP output	NPN output	-			
Power supply voltage	-		10 to 28 VDC			-			
Load voltage	10 to 30 VDC		30 VDC or less			12 VDC/24 VDC	110 VAC	5/12/24 VDC	110 VAC
Load current	5 to 20 mA (*3)		50 mA or less			5 to 50 mA	7 to 20 mA	50 mA or less	20 mA or less
Indicator lamp	LED (Lit when ON)	Red/green LED (Lit when ON)	LED (Lit when ON)	Yellow LED (Lit when ON)	Red/green LED (Lit when ON)	LED (Lit when ON)		-	
Leakage current	1 mA or less		10 µA or less			0 mA			
Weight	g								
	1 m:18 3 m:49 5 m:80	1 m:31 3 m:85 5 m:139	1 m:18 3 m:49 5 m:80	1 m:31 3 m:85 5 m:139		1 m:18 3 m:49 5 m:80			

*1 : Refer to Ending Page 1 for detailed switch specifications and dimensions.

*2 : Switches other than the above models, such as switches with connectors, are also available. Refer to Ending Page 1.

*3 : The max. load current is 20 mA at 25°C. The current is lower than 20 mA if the operating ambient temperature around the switch is higher than 25°C. (5 to 10 mA at 60°C)

Cylinder weight

Unit: g

Bore size	Product weight at 0 mm stroke		Additional weight per S = 10 mm
	STR2-M	STR2-B	
ø16	390	405	31
ø20	605	605	43
ø25	910	890	59
ø32	1430	1480	84

(Example) Product weight

STR2-MQ-16-10-H-K2H-D

- Product weight for 0 mm stroke length ... 390 g
- Additional weight for stroke length 10 mm ... 31 g x 1 = 31 g
- Weight of 2 cylinder switches ... 18 g x 2 = 36 g
- Product weight ... 390 g + 31 g + 36 g = 457 g

Specifications for rechargeable battery

(Catalog No. CC-1226A)

- Design compatible with rechargeable battery manufacturing process.

STR2-MQ-.....-P4*

LCM
LCR
LCG
LCW
LCX
STM
STG
STS/STL
STR2
UCA2
ULK*
JSK/M2
JSG
JSC3/JSC4
USSD
UFCD
USC
UB
JSB3
LMB
LML
HCM
HCA
LBC
CAC4
UCAC2
CAC-N
UCAC-N
RCS2
RCC2
PCC
SHC
MCP
GLC
MFC
BBS
RRC
GRC
RV3*
NHS
HRL
LN
Hand
Chuk
MechHnd/Chuk
ShkAbs
FJ
FK
SpdContr
Ending

STR2-M^BQ Series

How to order

Without switch (built-in magnet for switch)

STR2 - (M) Q - (16) - (30) - (H) - (O)

With switch (built-in magnet for switch)

STR2 - (M) Q - (16) - (30) - (H) - (K0H) - (R) - (O)

Model No.

A Bearing

B Bore size

C Port thread

D Stroke length

Refer to page 592 for the min. stroke length.

■ Custom stroke length
Available as made to order.

E Position locking mechanism

F Switch model No.

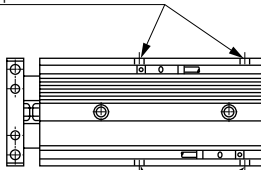
G Switch quantity

H Option
*1

⚠ Precautions for model No. selection

*1: The piping port positions for "O" are as shown in the figure below.

Piping port position on the 180° opposite side
(Code: 0) piping port



Piping port positions for standard (blank)

*2: In the case of G thread, ports on the opposite side (option "O") are not available. Rather than plug sealing, they are simply not provided. (The standard ports are not provided in the case of option "O".)

[Example of model No.]

STR2-MQ-16-30-H-K0H-R-O

Model: Twin rod cylinder, position locking

- A** Bearing : Metal bush bearing
- B** Bore size : $\varnothing 16$ mm
- C** Port thread : Rc thread
- D** Stroke length : 30 mm
- E** Position locking mechanism : With head side position locking
- F** Switch model No.: Reed K0H switch
- G** Switch quantity : 1 on rod side
- H** Option : Piping port position on the 180° opposite side

Code	Description					
A Bearing						
M	Metal bush bearing					
B	Ball bearing					
B Bore size (mm)						
16	$\varnothing 16$					
20	$\varnothing 20$					
25	$\varnothing 25$					
32	$\varnothing 32$					
C Port thread						
Blank	Rc thread					
NN	NPT thread ($\varnothing 32$ only) (made-to-order product)					
GN	G thread ($\varnothing 32$ only) (made-to-order product) *2					
D Stroke length (mm)						
10	10					
20	20					
30	30					
40	40					
50	50					
60	60					
70	70					
80	80					
90	90					
100	100					
E Position locking mechanism						
H	With head side position locking					
R	With rod side position locking					
F Switch model No.						
Axial lead wire	Radial lead wire	Contact	Voltage		Indicator	Lead wire
			AC	DC		
K0H*	K0V*	Reed	●	●	1-color display no indicator lamp	2-wire
K5H*	K5V*		●	●		
K2H*	K2V*	Proximity		●	1-color display	2-wire
K3H*	K3V*			●		
K3PH*	K3PV*			●	1-color display (made to order)	3-wire
K2YH*	K2YV*			●		
K3YH*	K3YV*		●	3-wire		
* Lead wire length						
Blank	1 m (standard)					
3	3 m (option)					
5	5 m (option)					
G Switch quantity						
R	1 on rod side					
H	1 on head side					
D	2					
H Option						
F	End plate material: steel					
O	Piping port position on the 180° opposite side					

How to order switch

SW - K0H*

Switch model No.
(Item **F** above)

MEMO

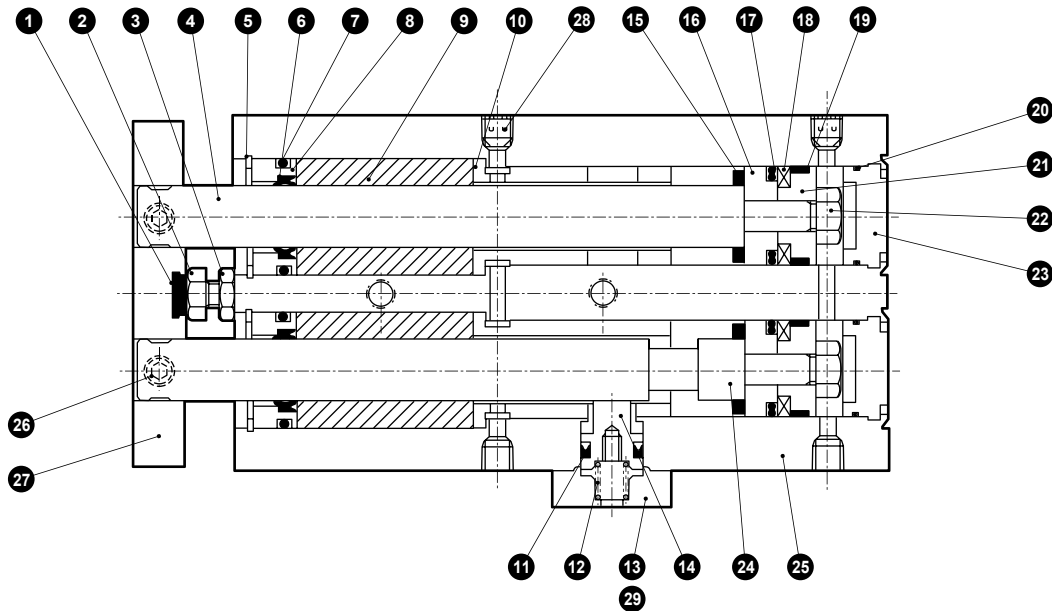
LCM
LCR
LCG
LCW
LCX
STM
STG
STS/STL
STR2
UCA2
ULK*
JSK/M2
JSG
JSC3/JSC4
USSD
UFCD
USC
UB
JSB3
LMB
LML
HCM
HCA
LBC
CAC4
UCAC2
CAC-N
UCAC-N
RCS2
RCC2
PCC
SHC
MCP
GLC
MFC
BBS
RRC
GRC
RV3*
NHS
HRL
LN
Hand
Chuk
MechHnd/Chuk
ShkAbs
FJ
FK
SpdContr
Ending

STR2-MQ Series

LCM
LCR
LCG
LCW
LCX
STM
STG
STS/STL
STR2
UCA2
ULK*
JSK/M2
JSG
JSC3/JSC4
USSD
UFCD
USC
UB
JSB3
LMB
LML
HCM
HCA
LBC
CAC4
UCAC2
CAC-N
UCAC-N
RCS2
RCC2
PCC
SHC
MCP
GLC
MFC
BBS
RRC
GRC
RV3*
NHS
HRL
LN
Hand
Chuk
MecHnd/Chuk
ShkAbs
FJ
FK
SpdContr
Ending

Internal structure and parts list (metal bush bearing)

- Position locking
with rod side position locking
STR2-MQ-R
- Piping port position on the 180° opposite side
STR2-MQ ... -R ... -O



No.	Part name	Material	Remarks	No.	Part name	Material	Remarks
1	Cushion rubber (H)	Urethane rubber		16	Piston	Aluminum alloy	Chromate
2	Hexagon head bolt	Stainless steel		17	Piston packing	Nitrile rubber	
3	Hexagon nut	Stainless steel		18	Magnet	Plastic	
4	Piston rod (2)	Stainless steel (ø16, ø20) Steel (ø25, ø32)	Industrial chrome plating	19	Wear ring	Acetal resin	
5	Snap ring for hole	Stainless steel		20	O-ring	Nitrile rubber	
6	Rod packing	Nitrile rubber		21	Spacer	Aluminum alloy	Chromate
7	O-ring	Nitrile rubber		22	Hexagon nut	Steel	Zinc chromate
8	Housing	Aluminum alloy	Chromate	23	Cap	Aluminum alloy	Chromate
9	Bush	Aluminum alloy		24	Piston rod (1)	Stainless steel (ø16, ø20) Steel (ø25, ø32)	Industrial chrome plating
10	Adaptor	Aluminum alloy	Chromate	25	Cylinder body	Aluminum alloy	Hard alumite
11	Stopper packing	Nitrile rubber		26	Hexagon socket set screw	Stainless steel	
12	Coil spring	Piano wire	Electrodeposition	27	End plate	Aluminum alloy	Alumite
13	Stopper cover	Aluminum alloy	Alumite	28	Hexagon socket set screw	Stainless steel	
14	Stopper piston	Stainless steel		29	Hexagon socket head cap screw	Stainless steel	
15	Cushion rubber (R)	Urethane rubber					

*: The steel end plate is zinc chromate.

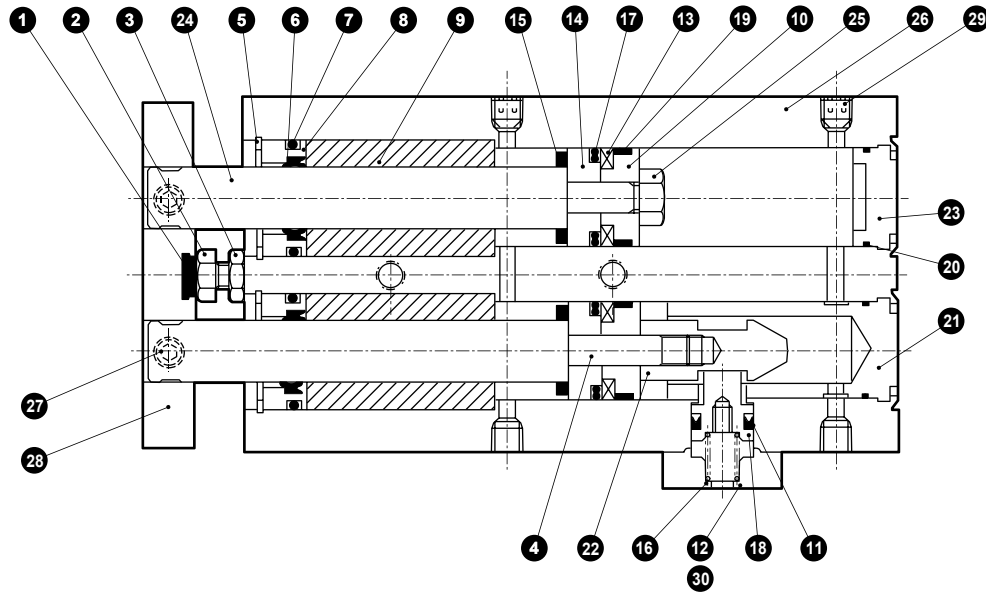
Repair parts list

Bore size (mm)	Kit No.	Repair parts No.
ø16	STR2-Q-16K	
ø20	STR2-Q-20K	1 6 7 11
ø25	STR2-Q-25K	15 17 19
ø32	STR2-Q-32K	

Note: Specify the kit No. when placing an order.

Internal structure and parts list (metal bush bearing)

- Position locking
with head side position locking
STR2-MQ-H
- Piping port position on the 180° opposite side
STR2-MQ-H ... -O



No.	Part name	Material	Remarks	No.	Part name	Material	Remarks
1	Cushion rubber (H)	Urethane rubber		16	Coil spring	Piano wire	Electrodeposition
2	Hexagon head bolt	Stainless steel		17	Piston packing	Nitrile rubber	
3	Hexagon nut	Stainless steel		18	Stopper piston	Stainless steel	
4	Piston rod (2)	Stainless steel (ø16, ø20) Steel (ø25, ø32)	Industrial chrome plating	19	Wear ring	Acetal resin	
5	Snap ring for hole	Stainless steel		20	O-ring	Nitrile rubber	
6	Rod packing	Nitrile rubber		21	Head cover	Aluminum alloy	Chromate
7	O-ring	Nitrile rubber		22	Sleeve	Stainless steel	
8	Housing	Aluminum alloy	Chromate	23	Cap	Aluminum alloy	Chromate
9	Bush	Aluminum alloy		24	Piston rod (1)	Stainless steel (ø16, ø20) Steel (ø25, ø32)	Industrial chrome plating
10	Spacer	Aluminum alloy	Chromate	25	Hexagon nut	Steel	Zinc chromate
11	Stopper packing	Nitrile rubber		26	Cylinder body	Aluminum alloy	Hard alumite
12	Stopper cover	Aluminum alloy	Alumite	27	Hexagon socket set screw	Stainless steel	
13	Magnet	Plastic		28	End plate	Aluminum alloy	Alumite
14	Piston	Aluminum alloy	Chromate	29	Hexagon socket set screw	Stainless steel	
15	Cushion rubber (R)	Urethane rubber		30	Hexagon socket head cap screw	Stainless steel	

*: The steel end plate is zinc chromate.

Repair parts list

Bore size (mm)	Kit No.	Repair parts No.
ø16	STR2-Q-16K	
ø20	STR2-Q-20K	1 6 7 11
ø25	STR2-Q-25K	15 17 19
ø32	STR2-Q-32K	

Note: Specify the kit No. when placing an order.

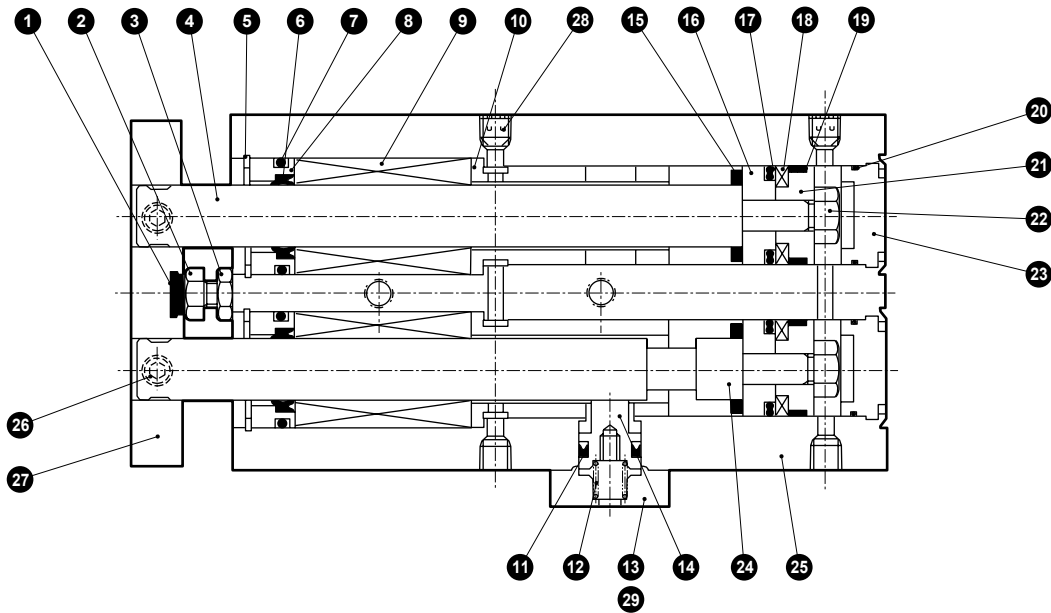
LCM
LCR
LCG
LCW
LCX
STM
STG
STS/STL
STR2
UCA2
ULK*
JSK/M2
JSG
JSC3/JSC4
USSD
UFCD
USC
UB
JSB3
LMB
LML
HCM
HCA
LBC
CAC4
UCAC2
CAC-N
UCAC-N
RCS2
RCC2
PCC
SHC
MCP
GLC
MFC
BBS
RRC
GRC
RV3*
NHS
HRL
LN
Hand
Chuk
MechHnd/Chuk
ShkAbs
FJ
FK
SpdContr
Ending

STR2-BQ Series

LCM
LCR
LCG
LCW
LCX
STM
STG
STS/STL
STR2
UCA2
ULK*
JSK/M2
JSG
JSC3/JSC4
USSD
UFCD
USC
UB
JSB3
LMB
LML
HCM
HCA
LBC
CAC4
UCAC2
CAC-N
UCAC-N
RCS2
RCC2
PCC
SHC
MCP
GLC
MFC
BBS
RRC
GRC
RV3*
NHS
HRL
LN
Hand
Chuk
MecHnd/Chuk
ShkAbs
FJ
FK
SpdContr
Ending

Internal structure and parts list (ball bearing)

- Position locking
with rod side position locking
STR2-BQ-R
- Piping port position on the 180° opposite side
STR2-BQ ... -R ... -O



No.	Part name	Material	Remarks	No.	Part name	Material	Remarks
1	Cushion rubber (H)	Urethane rubber		16	Piston	Aluminum alloy	Chromate
2	Hexagon head bolt	Stainless steel		17	Piston packing	Nitrile rubber	
3	Hexagon nut	Stainless steel		18	Magnet	Plastic	
4	Piston rod (2)	Steel	Industrial chrome plating	19	Wear ring	Acetal resin	
5	Snap ring for hole	Stainless steel		20	O-ring	Nitrile rubber	
6	Rod packing	Nitrile rubber		21	Spacer	Aluminum alloy	Chromate
7	O-ring	Nitrile rubber		22	Hexagon nut	Steel	Zinc chromate
8	Housing	Aluminum alloy	Chromate	23	Cap	Aluminum alloy	Chromate
9	Bearing			24	Piston rod (1)	Steel	Industrial chrome plating
10	Adaptor	Aluminum alloy	Chromate	25	Cylinder body	Aluminum alloy	Hard alumite
11	Stopper packing	Nitrile rubber		26	Hexagon socket set screw	Stainless steel	
12	Coil spring	Piano wire	Electrodeposition	27	End plate	Aluminum alloy	Alumite
13	Stopper cover	Aluminum alloy	Alumite	28	Hexagon socket set screw	Stainless steel	
14	Stopper piston	Stainless steel		29	Hexagon socket head cap screw	Stainless steel	
15	Cushion rubber (R)	Urethane rubber					

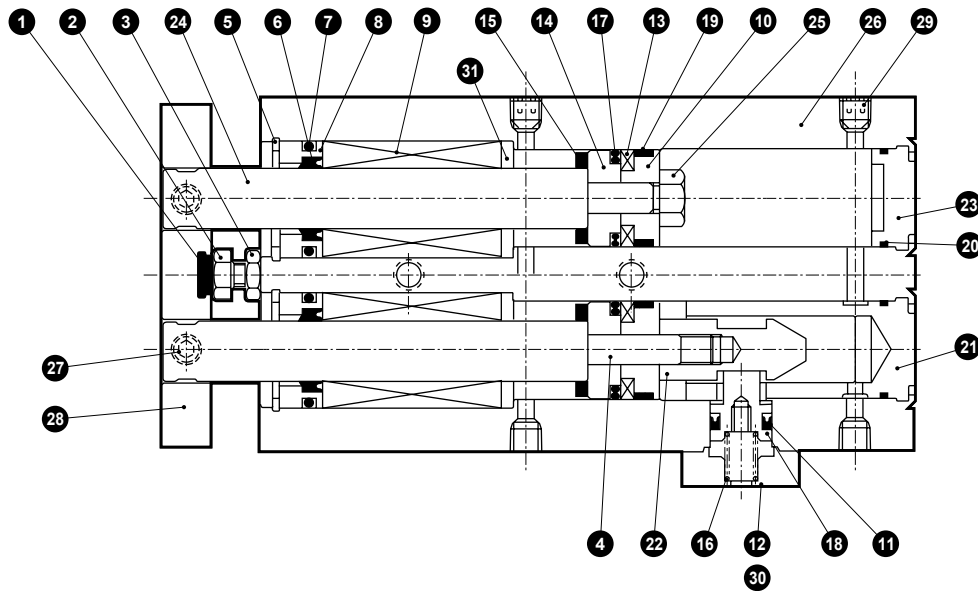
Repair parts list

Bore size (mm)	Kit No.	Repair parts No.
ø16	STR2-Q-16K	
ø20	STR2-Q-20K	1 6 7 11
ø25	STR2-Q-25K	15 17 19
ø32	STR2-Q-32K	

Note: Specify the kit No. when placing an order.

Internal structure and parts list (ball bearing)

- Position locking
with head side position locking
STR2-BQ-H
- Piping port position on the 180° opposite side
STR2-BQ-H ... -O



No.	Part name	Material	Remarks	No.	Part name	Material	Remarks
1	Cushion rubber (H)	Urethane rubber		17	Piston packing	Nitrile rubber	
2	Hexagon head bolt	Stainless steel		18	Stopper piston	Stainless steel	
3	Hexagon nut	Stainless steel		19	Wear ring	Acetal resin	
4	Piston rod (2)	Steel	Industrial chrome plating	20	O-ring	Nitrile rubber	
5	Snap ring for hole	Stainless steel		21	Head cover	Aluminum alloy	Chromate
6	Rod packing	Nitrile rubber		22	Sleeve	Stainless steel	
7	O-ring	Nitrile rubber		23	Cap	Aluminum alloy	Chromate
8	Housing	Aluminum alloy	Chromate	24	Piston rod (1)	Steel	Industrial chrome plating
9	Bearing			25	Hexagon nut	Steel	Zinc chromate
10	Spacer	Aluminum alloy	Chromate	26	Cylinder body	Aluminum alloy	Hard alumite
11	Stopper packing	Nitrile rubber		27	Hexagon socket set screw	Stainless steel	
12	Stopper cover	Aluminum alloy	Alumite	28	End plate	Aluminum alloy	Alumite
13	Magnet	Plastic		29	Hexagon socket set screw	Stainless steel	
14	Piston	Aluminum alloy	Chromate	30	Hexagon socket head cap screw	Stainless steel	
15	Cushion rubber (R)	Urethane rubber		31	Spacer	Aluminum alloy	Chromate
16	Coil spring	Piano wire	Electrodeposition				

Repair parts list

Bore size (mm)	Kit No.	Repair parts No.
ø16	STR2-Q-16K	
ø20	STR2-Q-20K	1 6 7 11
ø25	STR2-Q-25K	15 17 19
ø32	STR2-Q-32K	

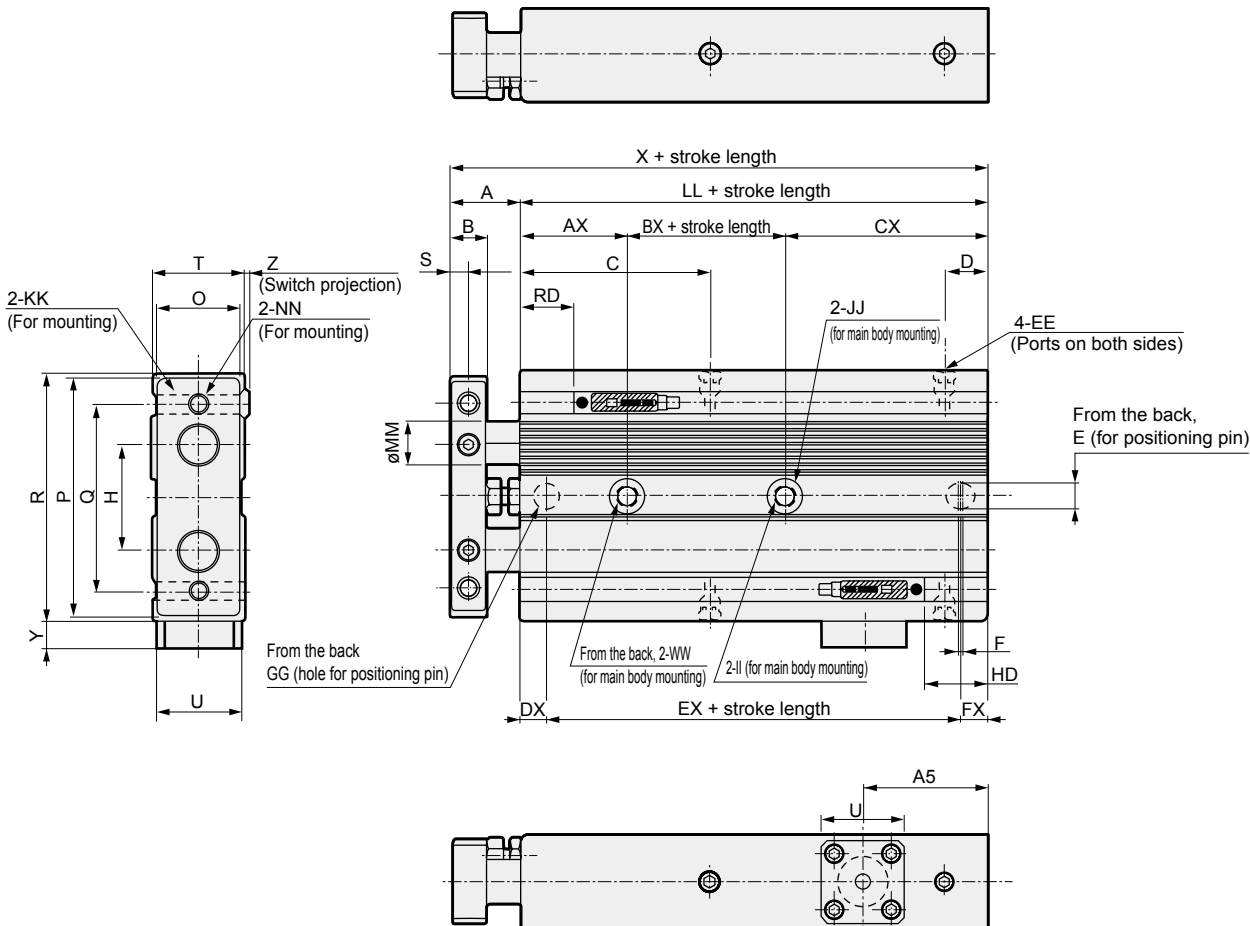
Note: Specify the kit No. when placing an order.

LCM
LCR
LCG
LCW
LCX
STM
STG
STS/STL
STR2
UCA2
ULK*
JSK/M2
JSG
JSC3/JSC4
USSD
UFCD
USC
UB
JSB3
LMB
LML
HCM
HCA
LBC
CAC4
UCAC2
CAC-N
UCAC-N
RCS2
RCC2
PCC
SHC
MCP
GLC
MFC
BBS
RRC
GRC
RV3*
NHS
HRL
LN
Hand
Chuk
MechHnd/Chuk
ShkAbs
FJ
FK
SpdContr
Ending



Dimensions (ø16 to ø32)

● Position locking (Q), head side position locking (H) and piping port position on the 180° opposite side (O)



*1 : HD and RD dimensions for 10 mm stroke length differ from these dimensions according to the setting.

*2 : Refer to page 618 for HD, RD and protruding dimensions of the 2-color display switch.

*3 : The cylinder may tilt due to the uneven surface if it is installed with the spot face side (JJ) contacted. In this case, change the port position or use the option of piping port position on the 180° opposite side (O) to keep the spot face side from being the contacting surface.

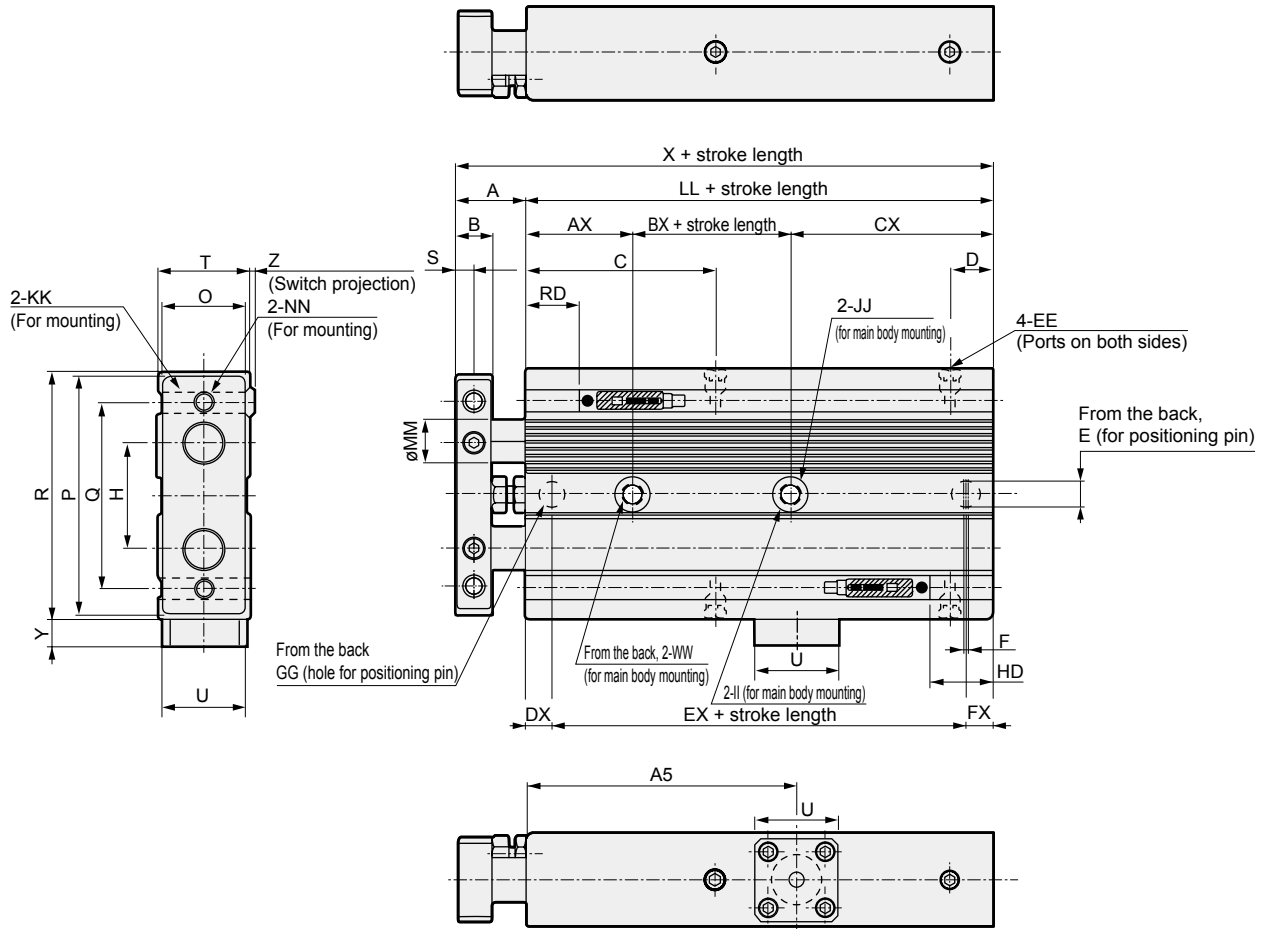
Code	Q-H Basic dimensions																
Bore size (mm)	A	B	C	D	E	EE	F	GG	H	II	JJ	KK	LL	MM	NN	O	P
ø16	16	8	43	9.5	6 ^{-0.07} / _{-0.02} depth 6	M5	1	6 ^{-0.07} / _{-0.02} depth 6	25	4.3	8 spot face depth 4.4	M5 through	96	10	M5 through	19	52
ø20	20	10	46	9.5	6 ^{-0.07} / _{-0.02} depth 6	M5	1	6 ^{-0.07} / _{-0.02} depth 6	28	5.2	9.5 spot face depth 5.4	M5 through	105	12	M5 through	24	60
ø25	22	12	44	10.5	6 ^{-0.07} / _{-0.02} depth 6	M5	1	6 ^{-0.07} / _{-0.02} depth 6	34	6.3	11 spot face depth 6.5	M6 through	105	14	M6 through	30	70
ø32	22	12	56	11	6 ^{-0.07} / _{-0.02} depth 6	Rc1/8	1	6 ^{-0.07} / _{-0.02} depth 6	44	6.3	11 spot face depth 6.5	M6 through	121	16	M6 through	36	94

Code	K0/K5/K2/K3																	
Bore size (mm)	Q	R	S	T	U	WW	X	Y	AX	BX	CX	DX	EX	FX	Z	A5	HD	RD
ø16	45	58	4	21	19	M5 depth 6	112	6	24	26	46	8	80	8	0.5	28	37	39.5
ø20	50	62	5	27	23	M6 depth 8	125	7.5	24	33	48	9	87	9	0.5	25	40.5	45
ø25	60	72	6	33	23	M8 depth 8	127	7.5	24	33	48	9	87	9	0.5	28	41.5	43.5
ø32	75	96	6	38	23	M8 depth 8	143	7.5	24	47	50	9	103	9	0.5	27.5	45.5	55.5

Dimensions (ø16 to ø32)



- Position locking (Q), rod side position locking (R) and piping port position on the 180° opposite side (O)



*1 : HD and RD dimensions for 10 mm stroke length differ from these dimensions according to the setting.

*2 : Refer to page 618 for HD, RD and protruding dimensions of the 2-color display switch.

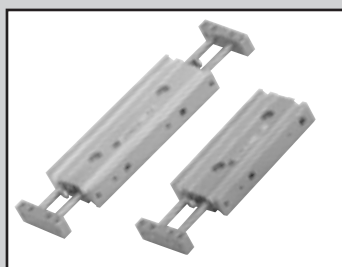
*3 : The cylinder may tilt due to the uneven surface if it is installed with the spot face side (JJ) contacted. In this case, change the port position or use the option of piping port position on the 180° opposite side (O) to keep the spot face side from being the contacting surface.

Code	Q-R Basic dimensions																
Bore size (mm)	A	B	C	D	E	EE	F	GG	H	II	JJ	KK	LL	MM	NN	O	P
ø16	16	8	43	9.5	6 ^{-0.07/-0.02} depth 6	M5	1	6 ^{-0.07/-0.02} depth 6	25	4.3	8 spot face depth 4.4	M5 through	96	10	M5 through	19	52
ø20	20	10	46	9.5	6 ^{-0.07/-0.02} depth 6	M5	1	6 ^{-0.07/-0.02} depth 6	28	5.2	9.5 spot face depth 5.4	M5 through	105	12	M5 through	24	60
ø25	22	12	44	10.5	6 ^{-0.07/-0.02} depth 6	M5	1	6 ^{-0.07/-0.02} depth 6	34	6.3	11 spot face depth 6.5	M6 through	105	14	M6 through	30	70
ø32	22	12	56	11	6 ^{-0.07/-0.02} depth 6	Rc1/8	1	6 ^{-0.07/-0.02} depth 6	44	6.3	11 spot face depth 6.5	M6 through	121	16	M6 through	36	94

Code	K0/K5/K2/K3																	
Bore size (mm)	Q	R	S	T	U	WW	X	Y	AX	BX	CX	DX	EX	FX	Z	A5	HD	RD
ø16	45	58	4	21	19	M5 depth 6	112	6	24	26	46	8	80	8	0.5	61.5	7	69.5
ø20	50	62	5	27	23	M6 depth 8	125	7.5	24	33	48	9	87	9	0.5	61.5	10.5	75
ø25	60	72	6	33	23	M8 depth 8	127	7.5	24	33	48	9	87	9	0.5	61.5	11.5	73.5
ø32	75	96	6	38	23	M8 depth 8	143	7.5	24	47	50	9	103	9	0.5	72.5	15.5	85.5

- LCM
- LCR
- LCG
- LCW
- LCX
- STM
- STG
- STS/STL
- STR2**
- UCA2
- ULK*
- JSK/M2
- JSG
- JSC3/JSC4
- USSD
- UFCD
- USC
- UB
- JSB3
- LMB
- LML
- HCM
- HCA
- LBC
- CAC4
- UCAC2
- CAC-N
- UCAC-N
- RCS2
- RCC2
- PCC
- SHC
- MCP
- GLC
- MFC
- BBS
- RRC
- GRC
- RV3*
- NHS
- HRL
- LN
- Hand
- Chuk
- MechHnd/Chuk
- ShkAbs
- FJ
- FK
- SpdContr
- Ending


LCM
LCR
LCG
LCW
LCX
STM
STG
STS/STL
STR2
UCA2
ULK*
JSK/M2
JSG
JSC3/JSC4
USSD
UFCD
USC
UB
JSB3
LMB
LML
HCM
HCA
LBC
CAC4
UCAC2
CAC-N
UCAC-N
RCS2
RCC2
PCC
SHC
MCP
GLC
MFC
BBS
RRC
GRC
RV3*
NHS
HRL
LN
Hand
Chuk
MecHnd/Chuk
ShkAbs
FJ
FK
SpdContr
Ending



Twin rod cylinder/double acting/low speed

STR2-M^BO Series

● Bore size: $\phi 6/\phi 10/\phi 16/\phi 20/\phi 25/\phi 32$

JIS symbol 



Specifications

Item		STR2-MO (metal bush bearing)			STR2-BO (ball bearing)		
Bore size	mm	$\phi 6$	$\phi 10$	$\phi 16$	$\phi 20$	$\phi 25$	$\phi 32$
Actuation		Double acting/low speed					
Working fluid		Compressed air					
Max. working pressure MPa		0.7 (≈ 100 psi, 7 bar)					
Min. working pressure MPa		0.2 (≈ 29 psi, 2 bar)	0.15 (≈ 22 psi, 1.5 bar)	0.1 (≈ 15 psi, 1 bar)			
Proof pressure MPa		1.05 (≈ 150 psi, 10.5 bar)					
Ambient temperature $^{\circ}\text{C}$		-10 (14 $^{\circ}\text{F}$) to 60 (140 $^{\circ}\text{F}$) (no freezing)					
Port size		M5					Rc1/8
Stroke tolerance mm		+2.0 0					
Adjustable stroke range mm		0 to -5					
Working piston speed mm/s		10 to 200					
Non-rotating accuracy (reference value)	STR2-M	$\pm 0.4^{\circ}$		$\pm 0.3^{\circ}$			$\pm 0.2^{\circ}$
	STR2-B	$\pm 0.2^{\circ}$		$\pm 0.1^{\circ}$			$\pm 0.3^{\circ}$
Piston rod	STR2-M	Metal bush bearing					
Bearing	STR2-B	Ball bearing					
Cushion		Rubber cushion					
Lubrication		Not available					
Max absorbed energy J	PUSH	0.008	0.061	0.181	0.303	0.68	1.3
	PULL	0.059	0.083	0.083	0.127	0.237	0.311

Stroke

Bore size	Stroke (mm)	Max. stroke (mm)	Min. stroke (mm)	Available stroke (mm)	Min. stroke with switch (mm)
$\phi 6$	10, 20, 30, 40, 50	50	5	100	10
$\phi 10$					
$\phi 16$	10, 20, 30, 40, 50 60, 70, 80, 90, 100	100		200	
$\phi 20$					
$\phi 25$					
$\phi 32$					

Note: The custom stroke is available in 1 mm increments.
However, the total length is the same as that of the next longer standard stroke.

Theoretical thrust table

(Unit: N)

Bore size (mm)	Operating direction	Working pressure MPa							
		0.1	0.15	0.2	0.3	0.4	0.5	0.6	0.7
$\phi 6$	Push	-	-	11.3	17.0	22.6	28.3	33.9	39.6
	Pull	-	-	6.28	9.42	12.6	15.7	18.8	22.0
$\phi 10$	Push	-	23.6	31.4	47.1	62.8	78.5	94.2	1.10×10^2
	Pull	-	15.1	20.1	30.2	40.2	50.3	60.3	70.4
$\phi 16$	Push	40.2	60.3	80.4	1.21×10^2	1.61×10^2	2.01×10^2	2.41×10^2	2.81×10^2
	Pull	24.5	36.8	49.0	73.5	98.0	1.23×10^2	1.47×10^2	1.72×10^2
$\phi 20$	Push	62.8	94.2	1.26×10^2	1.88×10^2	2.51×10^2	3.14×10^2	3.77×10^2	4.40×10^2
	Pull	40.2	60.3	80.4	1.21×10^2	1.61×10^2	2.01×10^2	2.41×10^2	2.81×10^2
$\phi 25$	Push	98.2	1.47×10^2	1.96×10^2	2.95×10^2	3.93×10^2	4.91×10^2	5.89×10^2	6.87×10^2
	Pull	67.4	1.01×10^2	1.35×10^2	2.02×10^2	2.70×10^2	3.37×10^2	4.04×10^2	4.72×10^2
$\phi 32$	Push	1.61×10^2	2.41×10^2	3.22×10^2	4.83×10^2	6.43×10^2	8.04×10^2	9.65×10^2	1.13×10^3
	Pull	1.21×10^2	1.81×10^2	2.41×10^2	3.62×10^2	4.83×10^2	6.03×10^2	7.24×10^2	8.44×10^2

Switch specifications

- 1-color/2-color LED

Item	Proximity 2-wire		Proximity 3-wire			Reed 2-wire				
	K2H/K2V	K2YH/ K2YV	K3H/K3V	K3PH/K3PV (Made to order)	K3YH/ K3YV	K0H/K0V		K5H/K5V		
Applications	Dedicated for programmable controller		For programmable controller, relay			For programmable controller, relay		For programmable controller, relay, IC circuit (without indicator lamp), serial connection		
Output method	-		NPN output	PNP output	NPN output	-				
Power supply voltage	-		10 to 28 VDC			-				
Load voltage	10 to 30 VDC		30 VDC or less			12 VDC/24 VDC	110 VAC	5/12/24 VDC	110 VAC	
Load current	5 to 20 mA (*3)		50 mA or less			5 to 50 mA	7 to 20 mA	50 mA or less	20 mA or less	
Indicator lamp	LED (ON/HourON)	Red/green LED (Lit when ON)	LED (Lit when ON)	Yellow LED (Lit when ON)	Red/green LED (Lit when ON)	LED (Lit when ON)		-		
Leakage current	1 mA or less		10 μA or less			0mA				
Weight	g		1 m: 18 3 m: 49 5 m: 80		1 m: 31 3 m: 85 5 m: 139		1 m: 18 3 m: 49 5 m: 80			

*1 : Refer to Ending Page 1 for detailed switch specifications and dimensions.

*2 : Switches other than the above models, such as switches with connectors, are also available. Refer to Ending Page 1.

*3 : The max. load current is 20 mA at 25°C. The current is lower than 20 mA if the operating ambient temperature around the switch is higher than 25°C. (5 to 10 mA at 60°C)

Cylinder weight

Unit: g

Bore size	Product weight at 0 mm stroke		Additional weight per S = 10 mm
	STR2-M	STR2-B	
ø6	60	64	10
ø10	140	155	14
ø16	240	300	20
ø20	340	405	40
ø25	580	610	52
ø32	1300	1150	83

(Example) Product weight

STR2-M-6-10-K2H-D

- Product weight at 0 mm stroke...60g
- Additional weight for 10 mm stroke...10g×1=10g
- Weight of 2 cylinder switches 18g×2=36g
- Product weight.....60g+10g+36g=106g

- LCM
- LCR
- LCG
- LCW
- LCX
- STM
- STG
- STS/STL
- STR2**
- UCA2
- ULK*
- JSK/M2
- JSG
- JSC3/JSC4
- USSD
- UFCD
- USC
- UB
- JSB3
- LMB
- LML
- HCM
- HCA
- LBC
- CAC4
- UCAC2
- CAC-N
- UCAC-N
- RCS2
- RCC2
- PCC
- SHC
- MCP
- GLC
- MFC
- BBS
- RRC
- GRC
- RV3*
- NHS
- HRL
- LN
- Hand
- Chuk
- MechMod/Chuk
- ShkAbs
- FJ
- FK
- SpdContr
- Ending

STR2-M^BO Series

- LCM
- LCR
- LCC
- LCW
- LCC
- LCX
- STM
- STG
- STS/STL
- STR2**
- UCA2
- ULK*
- JSK/M2
- JSG
- JSC3/JSC4
- USSD
- UFCD
- USC
- UB
- JSB3
- LMB
- LML
- HCM
- HCA
- LBC
- CAC4
- UCAC2
- CAC-N
- UCAC-N
- RCS2
- RCC2
- PCC
- SHC
- MCP
- GLC
- MFC
- BBS
- RRC
- GRC
- RV3*
- NHS
- HRL
- LN
- Hand
- Chuk
- MecHnd/Chuk
- ShkAbs
- FJ
- FK
- SpdContr
- Ending

How to order

Without switch (built-in magnet for switch)

STR2 - (M) O - (16) - (30) - (O)

With switch (built-in magnet for switch)

STR2 - (M) O - (16) - (30) - (K0H) - (R) - (O)

Model No.

A Bearing

B Bore size

C Port thread

D Stroke

■ Custom stroke
Available in 1 mm increments. However, the total length is the same as that of the next longer standard stroke.

E Switch model No.
*1

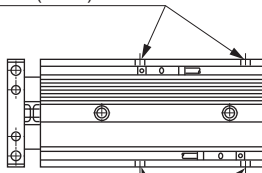
F Switch quantity

G Option
*2

⚠ Precautions for model No. selection

- *1 : STR2-B-6 and 10 are not compatible with a reed switch.
- *2 : The piping port positions for "O" are as shown in the figure below.

Piping port positions for standard (blank)



Piping port position on the 180° opposite side (Code: O) piping port

- *3 : In the case of G thread, ports on the opposite side (option "O") are not available. Rather than plug sealing, they are simply not provided.
(The standard ports are not provided in the case of option "O".)

[Example of model No.]

STR2-MO-16-30-K0H-R-O

Model: Twin rod cylinder, low speed

- A** Bearing : Metal bush bearing
- B** Bore size : $\phi 16$ mm
- C** Port thread : Rc thread
- D** Stroke : 30 mm
- E** Switch model No. : Reed K0H switch
- F** Switch quantity : 1 on rod side
- G** Option : Piping port position on the 180° opposite side

Code	Description					
A Bearing						
M	Metal bush bearing					
B	Ball bearing					
B Bore size (mm)						
6	$\phi 6$					
10	$\phi 10$					
16	$\phi 16$					
20	$\phi 20$					
25	$\phi 25$					
32	$\phi 32$					
C Port thread						
Blank	Rc thread					
NN	NPT thread ($\phi 32$ only) (made-to-order product)					
GN	G thread ($\phi 32$ only) (made-to-order product) *3					
D Stroke (mm)						
Bore size	Stroke	Available stroke	Custom stroke			
$\phi 6$	5 to 50	100	In 1 mm increments			
$\phi 10$	5 to 50	100				
$\phi 16$	5 to 100	200				
$\phi 20$	5 to 100	200				
$\phi 25$	5 to 100	200				
$\phi 32$	5 to 100	200				
E Switch model No.						
Straight lead wire	L-shaped lead wire	Contact	Voltage		Indicator	Lead wire
			AC	DC		
K0H*	K0V*	Reed	●	●	1-color LED	2-wire
K5H*	K5V*		●	●	no indicator lamp	
K2H*	K2V*	Proximity	●	●	1-color LED	2-wire
K3H*	K3V*		●	●	1-color LED	3-wire
K3PH*	K3PV*		●	●	1-color LED (made to order)	3-wire
K2YH*	K2YV*		●	●	2-color LED	2-wire
K3YH*	K3YV*	●	●	2-color LED	3-wire	
* Lead wire length						
Blank	1 m (standard)					
3	3 m (option)					
5	5 m (option)					
F Switch quantity						
R	1 on rod side					
H	1 on head side					
D	2					
G Option						
F	End plate material: steel					
O	Piping port position on the 180° opposite side					

How to order switch

SW - K0H*

Switch model No.
(Item **E** above)

MEMO

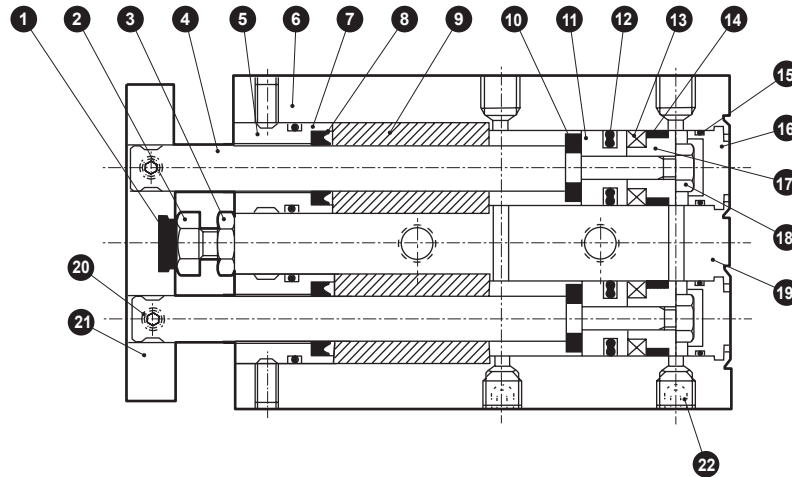
LCM
LCR
LCG
LCW
LCX
STM
STG
STS/STL
STR2
UCA2
ULK*
JSK/M2
JSG
JSC3/JSC4
USSD
UFCD
USC
UB
JSB3
LMB
LML
HCM
HCA
LBC
CAC4
UCAC2
CAC-N
UCAC-N
RCS2
RCC2
PCC
SHC
MCP
GLC
MFC
BBS
RRC
GRC
RV3*
NHS
HRL
LN
Hand
Chuk
MechHnd/Chuk
ShkAbs
FJ
FK
SpdContr
Ending

STR2-MO Series

LCM
LCR
LCG
LCW
LCX
STM
STG
STS/STL
STR2
UCA2
ULK*
JSK/M2
JSG
JSC3/JSC4
USSD
UFCD
USC
UB
JSB3
LMB
LML
HCM
HCA
LBC
CAC4
UCAC2
CAC-N
UCAC-N
RCS2
RCC2
PCC
SHC
MCP
GLC
MFC
BBS
RRC
GRC
RV3*
NHS
HRL
LN
Hand
Chuk
MecHnd/Chuk
ShkAbs
FJ
FK
SpdContr
Ending

Internal structure and parts list (metal bush bearing $\phi 6/\phi 10$)

- Low speed
STR2-MO
- Piping port position on the 180° opposite side
STR2-MO ... -O



No.	Part name	Material	Remarks	No.	Part name	Material	Remarks
1	Cushion rubber (H)	Urethane rubber		12	Piston packing	Nitrile rubber	
2	Hexagon head bolt	Stainless steel		13	Magnet	Plastic	
3	Hexagon nut	Stainless steel		14	Wear ring	Acetal resin	
4	Piston rod	Stainless steel		15	O-ring	Nitrile rubber	
5	Housing	Stainless steel		16	Cap	Aluminum alloy	Chromate
6	Hexagon socket set screw	Stainless steel		17	Spacer	Aluminum alloy	Chromate
7	O-ring	Nitrile rubber		18	Hexagon nut	Steel	Zinc chromate
8	Rod packing	Nitrile rubber		19	Cylinder body	Aluminum alloy	Hard alumite
9	Bush	Copper alloy		20	Hexagon socket set screw	Stainless steel	
10	Cushion rubber (R)	Urethane rubber		21	End plate *1	Aluminum alloy	Alumite
11	Piston	Aluminum alloy	Chromate	22	Hexagon socket set screw	Stainless steel	

*1 : The steel end plate is zinc chromate.

Repair parts list

STR2-MO (low speed) * Repair parts other than the piston packing are the same as those of the standard.

Bore size (mm)	Kit No.	Repair parts No.
$\phi 6$	STR2-O-6K	1 7 8 10 12 14
$\phi 10$	STR2-O-10K	

Note: Specify the kit No. when placing an order.

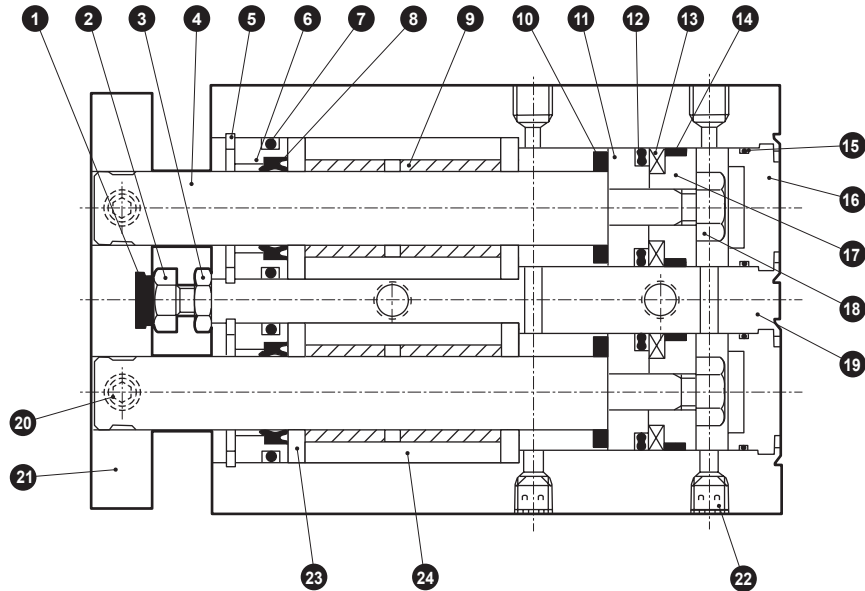
Internal structure and parts list (metal bush bearing $\phi 16/\phi 20/\phi 25/\phi 32$)

- Low speed

STR2-MO

- Piping port position on the 180° opposite side

STR2-MO ... -O



No.	Part name	Material	Remarks	No.	Part name	Material	Remarks
1	Cushion rubber (H)	Urethane rubber		13	Magnet	Plastic	
2	Hexagon head bolt	Stainless steel		14	Wear ring	Acetal resin	
3	Hexagon nut	Stainless steel		15	O-ring	Nitrile rubber	
4	Piston rod	Stainless steel ($\phi 16, \phi 20$) Steel ($\phi 25, \phi 32$)	Industrial chrome plating	16	Cap	Aluminum alloy	Chromate
5	Snap ring for hole	Stainless steel		17	Spacer	Aluminum alloy	Chromate
6	Housing	Aluminum alloy	Chromate	18	Hexagon nut	Steel	Zinc chromate
7	O-ring	Nitrile rubber		19	Cylinder body	Aluminum alloy	Hard alumite
8	Rod packing	Nitrile rubber		20	Hexagon socket set screw	Stainless steel	
9	Bush	Copper alloy		21	End plate *1	Aluminum alloy	Alumite
10	Cushion rubber (R)	Urethane rubber		22	Hexagon socket set screw	Stainless steel	
11	Piston	Aluminum alloy	Chromate	23	Spacer	Aluminum alloy	Chromate
12	Piston packing	Nitrile rubber		24	Aluminum housing	Aluminum alloy	Chromate

*1 : The steel end plate is zinc chromate.

Repair parts list

STR2-MO (low speed) * Repair parts other than the piston packing are the same as those of the standard.

Bore size (mm)	Kit No.	Repair parts No.
$\phi 16$	STR2-O-16K	
$\phi 20$	STR2-O-20K	1 7 8
$\phi 25$	STR2-O-25K	10 12 14
$\phi 32$	STR2-O-32K	

Note: Specify the kit No. when placing an order.

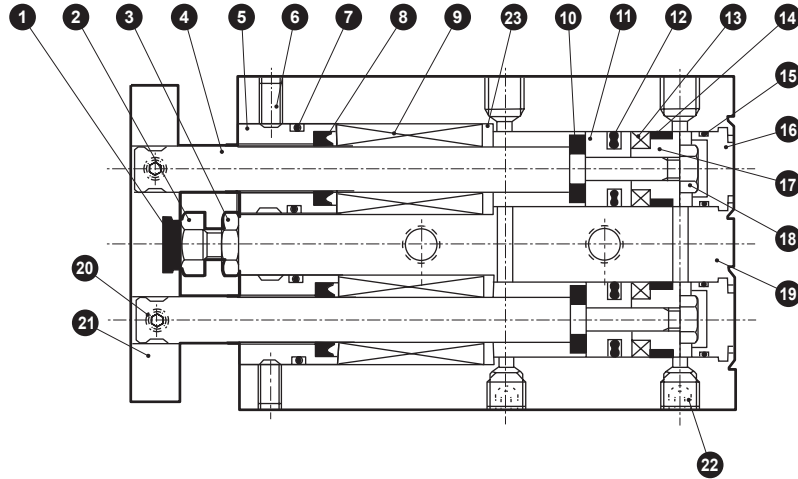
LCM
LCR
LCG
LCW
LCX
STM
STG
STS/STL
STR2
UCA2
ULK*
JSK/M2
JSG
JSC3/JSC4
USSD
UFCD
USC
UB
JSB3
LMB
LML
HCM
HCA
LBC
CAC4
UCAC2
CAC-N
UCAC-N
RCS2
RCC2
PCC
SHC
MCP
GLC
MFC
BBS
RRC
GRC
RV3*
NHS
HRL
LN
Hand
Chuk
MechHnd/Chuk
ShkAbs
FJ
FK
SpdContr
Ending

STR2-BO Series

LCM
LCR
LCG
LCW
LCX
STM
STG
STS/STL
STR2
UCA2
ULK*
JSK/M2
JSG
JSC3/JSC4
USSD
UFCD
USC
UB
JSB3
LMB
LML
HCM
HCA
LBC
CAC4
UCAC2
CAC-N
UCAC-N
RCS2
RCC2
PCC
SHC
MCP
GLC
MFC
BBS
RRC
GRC
RV3*
NHS
HRL
LN
Hand
Chuk
MecHnd/Chuk
ShkAbs
FJ
FK
SpdContr
Ending

Internal structure and parts list (ball bearing $\phi 6/\phi 10$)

- Low speed
STR2-BO
- Piping port position on the 180° opposite side
STR2-BO ... -O



No.	Part name	Material	Remarks	No.	Part name	Material	Remarks
1	Cushion rubber (H)	Urethane rubber		13	Magnet	Plastic	
2	Hexagon head bolt	Stainless steel		14	Wear ring	Acetal resin	
3	Hexagon nut	Stainless steel		15	O-ring	Nitrile rubber	
4	Piston rod	Steel	Industrial chrome plating	16	Cap	Aluminum alloy	Chromate
5	Housing	Stainless steel		17	Spacer	Aluminum alloy	Chromate
6	Hexagon socket set screw	Stainless steel		18	Hexagon nut	Steel	Zinc chromate
7	O-ring	Nitrile rubber		19	Cylinder body	Aluminum alloy	Hard alumite
8	Rod packing	Nitrile rubber		20	Hexagon socket set screw	Stainless steel	
9	Bearing			21	End plate *1	Aluminum alloy	Alumite
10	Cushion rubber (R)	Urethane rubber		22	Hexagon socket set screw	Stainless steel	
11	Piston	Aluminum alloy	Chromate	23	Spacer	Aluminum alloy	Chromate
12	Piston packing	Nitrile rubber					

Repair parts list

STR2-BO (low speed) * Repair parts other than the piston packing are the same as those of the standard.

Bore size (mm)	Kit No.	Repair parts No.
$\phi 6$	STR2-O-6K	1 7 8 10 12 14
$\phi 10$	STR2-O-10K	

Note: Specify the kit No. when placing an order.

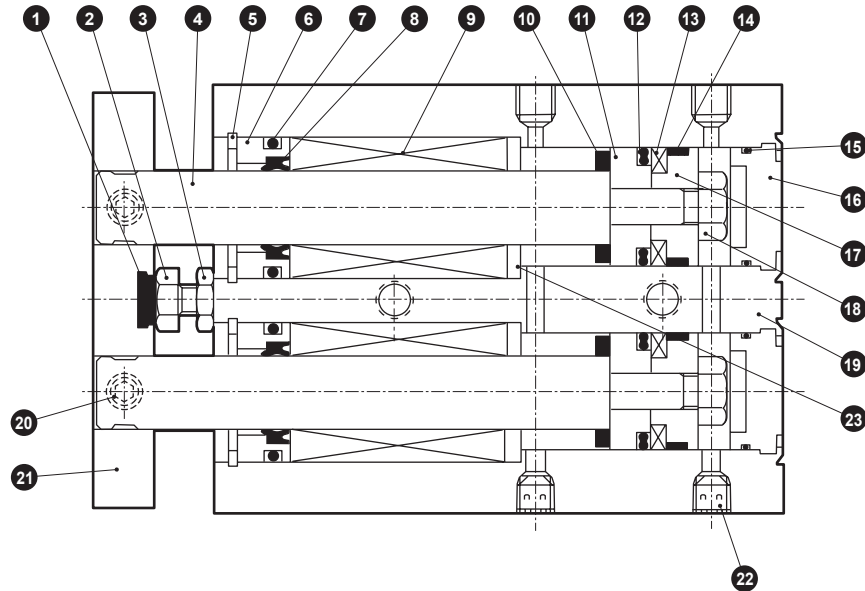
Internal structure and parts list (ball bearing $\phi 16/\phi 20/\phi 25/\phi 32$)

- Low speed

STR2-BO

- Piping port position on the 180° opposite side

STR2-BO ... -O



No.	Part name	Material	Remarks	No.	Part name	Material	Remarks
1	Cushion rubber (H)	Urethane rubber		13	Magnet	Plastic	
2	Hexagon head bolt	Stainless steel		14	Wear ring	Acetal resin	
3	Hexagon nut	Stainless steel		15	O-ring	Nitrile rubber	
4	Piston rod	Steel	Industrial chrome plating	16	Cap	Aluminum alloy	Chromate
5	Snap ring for hole	Stainless steel		17	Spacer	Aluminum alloy	Chromate
6	Housing	Aluminum alloy	Chromate	18	Hexagon nut	Steel	Zinc chromate
7	O-ring	Nitrile rubber		19	Cylinder body	Aluminum alloy	Hard alumite
8	Rod packing	Nitrile rubber		20	Hexagon socket set screw	Stainless steel	
9	Bearing			21	End plate *1	Aluminum alloy	Alumite
10	Cushion rubber (R)	Urethane rubber		22	Hexagon socket set screw	Stainless steel	
11	Piston	Aluminum alloy	Chromate	23	Spacer	Aluminum alloy	Chromate
12	Piston packing	Nitrile rubber					

Repair parts list

STR2-BO (low speed) * Repair parts other than the piston packing are the same as those of the standard.

Bore size (mm)	Kit No.	Repair parts No.
$\phi 16$	STR2-O-16K	
$\phi 20$	STR2-O-20K	1 7 8
$\phi 25$	STR2-O-25K	10 12 14
$\phi 32$	STR2-O-32K	

Note: Specify the kit No. when placing an order.

Dimensions

Same as STR2^M_B Series (double acting/standard). Refer to page 590.

LCM
LCR
LCG
LCW
LCX
STM
STG
STS/STL
STR2
UCA2
ULK*
JSK/M2
JSG
JSC3/JSC4
USSD
UFCD
USC
UB
JSB3
LMB
LML
HCM
HCA
LBC
CAC4
UCAC2
CAC-N
UCAC-N
RCS2
RCC2
PCC
SHC
MCP
GLC
MFC
BBS
RRC
GRC
RV3*
NHS
HRL
LN
Hand
Chuk
MechHnd/Chuk
ShkAbs
FJ
FK
SpdContr
Ending

LCM
LCR
LCG
LCW
LCX
STM
STG
STS/STL
STR2
UCA2
ULK*
JSK/M2
JSG
JSC3/JSC4
USSD
UFCD
USC
UB
JSB3
LMB
LML
HCM
HCA
LBC
CAC4
UCAC2
CAC-N
UCAC-N
RCS2
RCC2
PCC
SHC
MCP
GLC
MFC
BBS
RRC
GRC
RV3*
NHS
HRL
LN
Hand
Chuk
MechHnd/Chuk
ShkAbs
FJ
FK
SpdContr
Ending



Twin rod cylinder/double acting/fine speed

STR2-M^F Series

● Bore size: $\phi 10/\phi 16/\phi 20/\phi 25/\phi 32$

JIS symbol



Specifications

Item		STR2-MF (metal bush bearing), STR2-BF (ball bearing)					
Bore size		mm	$\phi 10$	$\phi 16$	$\phi 20$	$\phi 25$	$\phi 32$
Actuation		Double acting					
Working fluid		Compressed air					
Max. working pressure		MPa	0.70 (≈ 100 psi, 7 bar)				
Min. working pressure		MPa	0.15 (≈ 22 psi, 1.5 bar)				0.1 (≈ 15 psi, 1 bar)
Ambient temperature		$^{\circ}\text{C}$	5 (41°F) to 60 (140°F)				
Port size			M5			Rc1/8	
Stroke tolerance		mm	0 to -5				
Working piston speed		mm/s	1 to 200				
Non-rotating accuracy (reference value)		STR2-MF	$\pm 0.3^{\circ}$				$\pm 0.2^{\circ}$
		STR2-BF	$\pm 0.1^{\circ}$				$\pm 0.3^{\circ}$
Piston rod bearing		STR2-MF	Metal bush bearing				
		STR2-BF	Ball bearing				
Cushion		Rubber cushion					
Lubrication		Lubrication not possible					
Allowable absorbed energy		J	0.061	0.181	0.303	0.68	1.3

* The low speed (STR2-0) is recommended for $\phi 6$.

Stroke

Bore size (mm)	Standard stroke (mm)	Max. stroke (mm)	Min. stroke (mm)	Min. stroke with switch (mm)
$\phi 10$	10, 20, 30, 40, 50	50	5	10
$\phi 16, \phi 20, \phi 25, \phi 32$	10, 20, 30, 40, 50, 60, 70, 80, 90, 100	100		

*1: The custom stroke is available in 1 mm increments. However, the total length is the same as that of the next longer standard stroke.

Switch specifications

● 1-color/2-color LED

Item	Proximity 2-wire		Proximity 3-wire			Reed 2-wire			
	K2H/K2V	K2YH/K2YV	K3H/K3V	K3PH/K3PV (Made to order)	K3YH/K3YV	K0H/K0V		K5H/K5V	
Applications	Dedicated for programmable controller		For programmable controller, relay			For programmable controller, relay		For programmable controller, relay, IC circuit (without indicator lamp), serial connection	
Output method	-		NPN output	PNP output	NPN output	-			
Power supply voltage	-		10 to 28 VDC			-			
Load voltage	10 to 30 VDC		30 VDC or less			12 VDC/24 VDC	110 VAC	5/12/24 VDC	110 VAC
Load current	5 to 20 mA (*3)		50 mA or less			5 to 50 mA	7 to 20 mA	50 mA or less	20 mA or less
Indicator	LED (Lit when ON)	Red/green LED (Lit when ON)	LED (Lit when ON)	Yellow LED (Lit when ON)	Red/green LED (Lit when ON)	LED (Lit when ON)		-	
Leakage current	1 mA or less		10 μA or less			0 mA			
Weight	g	1 m:18 3 m:49 5 m:80	1 m:31 3 m:85 5 m:139	1 m:18 3 m:49 5 m:80	1 m:31 3 m:85 5 m:139	1 m:18 3 m:49 5 m:80			

*1 : Refer to Ending Page 1 for detailed switch specifications and dimensions.

*2 : Switches other than the above models, such as switches with connectors, are also available. Refer to Ending Page 1.

*3 : The max. load current is 20 mA at 25 $^{\circ}\text{C}$. The current is lower than 20 mA if the operating ambient temperature around the switch is higher than 25 $^{\circ}\text{C}$. (5 to 10 mA at 60 $^{\circ}\text{C}$)

Theoretical thrust table

(Unit: N)

Bore size (mm)	Operating direction	Working pressure MPa							
		0.1	0.15	0.2	0.3	0.4	0.5	0.6	0.7
$\phi 10$	Push	-	23.6	31.4	47.1	62.8	78.5	94.2	1.10×10^2
	Pull	-	15.1	20.1	30.2	40.2	50.3	60.3	70.4
$\phi 16$	Push	40.2	60.3	80.4	1.21×10^2	1.61×10^2	2.01×10^2	2.41×10^2	2.81×10^2
	Pull	24.5	36.8	49.0	73.5	98.0	1.23×10^2	1.47×10^2	1.72×10^2
$\phi 20$	Push	62.8	94.2	1.26×10^2	1.88×10^2	2.51×10^2	3.14×10^2	3.77×10^2	4.40×10^2
	Pull	40.2	60.3	80.4	1.21×10^2	1.61×10^2	2.01×10^2	2.41×10^2	2.81×10^2
$\phi 25$	Push	98.2	1.47×10^2	1.96×10^2	2.95×10^2	3.93×10^2	4.91×10^2	5.89×10^2	6.87×10^2
	Pull	67.4	1.01×10^2	1.35×10^2	2.02×10^2	2.70×10^2	3.37×10^2	4.04×10^2	4.72×10^2
$\phi 32$	Push	1.61×10^2	2.41×10^2	3.22×10^2	4.83×10^2	6.43×10^2	8.04×10^2	9.65×10^2	1.13×10^3
	Pull	1.21×10^2	1.81×10^2	2.41×10^2	3.62×10^2	4.83×10^2	6.03×10^2	7.24×10^2	8.44×10^2

How to order

- Without switch (built-in magnet for switch)



- With switch (built-in magnet for switch)



Model No. A Bearing

B Bore size

C Port thread

D Stroke
*1

■ The custom stroke is available in 1 mm increments. However, the total length is the same as that of the next longer standard stroke.

E Switch model No.
*2

F Switch quantity

G Option

⚠ Precautions for model selection

*1 : The max stroke of rear piping "R" is:

- $\phi 16$: 70 stroke
- $\phi 20/\phi 25$: 60 stroke
- $\phi 32$: 50 stroke

*2 : STR2-BF-10 is not compatible with reed switch.

*3 : In the case of G thread, ports on the opposite side (option "O") are not available. Rather than plug sealing, they are simply not provided.
(The standard ports are not provided in the case of option "O".)

[Example of model No.]

STR2-MF-16-30-K0H-R-F

Model: Twin rod cylinder, fine speed

- A Bearing : Metal bush bearing
- B Bore size : $\phi 16$ mm
- C Port thread : Rc thread
- D Stroke : 30 mm
- E Switch model No.: Reed switch K0H, lead wire 1 m
- F Switch quantity : 1 on rod side
- G Option : End plate material: steel

How to order switch

Switch body only



Switch model No.
(Item E above)

Internal structure

Refer to page 606 for low-speed STR2-M^BO Series.

Dimensions

Same as STR2 Series (double acting/single rod). Refer to page 590.

Technical data

Refer to Measuring methods (in Pneumatic Cylinders I (Catalog No.CB-029SA) on page 1161), for technical data regarding measuring methods.

Code	Description					
A Bearing						
M	Metal bush bearing					
B	Ball bearing					
B Bore size (mm)						
10	$\phi 10$					
16	$\phi 16$					
20	$\phi 20$					
25	$\phi 25$					
32	$\phi 32$					
C Port thread						
Blank	Rc thread					
NN	NPT thread ($\phi 32$ only) (made-to-order product)					
GN *3	G thread ($\phi 32$ only) (made-to-order product)					
D Stroke (mm)						
Bore size	Stroke	Available stroke	Custom stroke			
$\phi 10$	5 to 50	100	In 1 mm increments			
$\phi 16$	5 to 100	200				
$\phi 20$	5 to 100	200				
$\phi 25$	5 to 100	200				
$\phi 32$	5 to 100	200				
E Switch model No.						
Straight lead wire	L-shaped lead wire	Contact	Voltage		Indicator	Lead wire
			AC	DC		
K0H*	K0V*	Reed	●	●	1-color LED	2-wire
			●	●	no indicator lamp	
K2H*	K2V*	Proximity		●	1-color	2-wire
				●	LED	3-wire
K3PH*	K3PV*	Proximity		●	1-color LED (made to order)	3-wire
				●	2-color	2-wire
K2YH*	K2YV*	Proximity		●	LED	3-wire
				●		
K3YH*	K3YV*	Proximity		●		
				●		
* Lead wire length						
Blank	1 m (standard)					
3	3 m (option)					
5	5 m (option)					
F Switch quantity						
R	1 on rod side					
H	1 on head side					
D	2					
G Option						
F	End plate material: steel					
O	Piping port position 180°					

Clean-room specifications

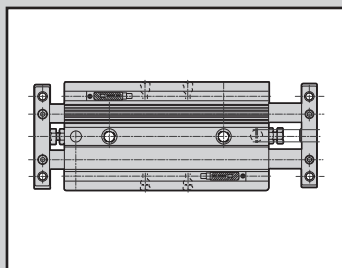
(Catalog No. CB-033SA)

- Anti-dust generation structure for use in cleanrooms

STR2-B - - P7*

LCM
LCR
LCG
LCW
LCX
STM
STG
STS/STL
STR2
UCA2
ULK*
JSK/M2
JSG
JSC3/JSC4
USSD
UFCD
USC
UB
JSB3
LMB
LML
HCM
HCA
LBC
CAC4
UCAC2
CAC-N
UCAC-N
RCS2
RCC2
PCC
SHC
MCP
GLC
MFC
BBS
RRC
GRC
RV3*
NHS
HRL
LN
Hand
Chuk
MechHnd/Chuk
ShkAbs
FJ
FK
SpdContr
Ending

LCM
LCR
LCG
LCW
LCX
STM
STG
STS/STL
STR2
UCA2
ULK*
JSK/M2
JSG
JSC3/JSC4
USSD
UFCD
USC
UB
JSB3
LMB
LML
HCM
HCA
LBC
CAC4
UCAC2
CAC-N
UCAC-N
RCS2
RCC2
PCC
SHC
MCP
GLC
MFC
BBS
RRC
GRC
RV3*
NHS
HRL
LN
Hand
Chuk
MechHnd/Chuk
ShkAbs
FJ
FK
SpdContr
Ending



Twin rod cylinder/double acting/double rod

STR2-M_B D Series

● Bore size: $\phi 6/\phi 10/\phi 16/\phi 20/\phi 25/\phi 32$

JIS symbol



Specifications

Item		STR2-MD (metal bush bearing)			STR2-BD (ball bearing)		
Bore size	mm	$\phi 6$	$\phi 10$	$\phi 16$	$\phi 20$	$\phi 25$	$\phi 32$
Actuation		Double acting/double rod					
Working fluid		Compressed air					
Max. working pressure	MPa	0.7 (≈ 100 psi, 7 bar)					
Min. working pressure	MPa	0.25 (≈ 36 psi, 2.5 bar)	0.2 (≈ 29 psi, 2 bar)	0.15 (≈ 22 psi, 1.5 bar)			
Proof pressure	MPa	1.05 (≈ 150 psi, 10.5 bar)					
Ambient temperature	$^{\circ}\text{C}$	-10 (14 $^{\circ}\text{F}$) to 60 (140 $^{\circ}\text{F}$) (no freezing)					
Port size		M5					Rc1/8
Stroke tolerance	mm	+2.0					
		0					
Adjustable stroke range	mm	0 to -5					
Working piston speed	mm/s	50 to 500					
Non-rotating accuracy (reference value)	STR2-M	$\pm 0.4^{\circ}$	$\pm 0.3^{\circ}$			$\pm 0.2^{\circ}$	
	STR2-B	$\pm 0.2^{\circ}$	$\pm 0.1^{\circ}$			$\pm 0.3^{\circ}$	
Piston rod	STR2-M	Metal bush bearing					
Bearing	STR2-B	Ball bearing					
Cushion		Rubber cushion					
Lubrication		Not required (use turbine oil class 1 ISO VG32 if necessary for lubrication)					
Max absorbed energy	J *1 PULL	0.059	0.083	0.083	0.127	0.237	0.311

*1: The allowable absorbed energy of the double rod is for the PULL only.

Stroke

Bore size	Stroke (mm)	Max. stroke (mm)	Min. stroke (mm)	Min. stroke with switch (mm)
$\phi 6$	10, 20, 30, 40, 50	50	5	10
$\phi 10$				
$\phi 16$	10, 20, 30, 40, 50	100		
$\phi 20$				
$\phi 25$				
$\phi 32$				

Theoretical thrust table

(Unit: N)

Bore size (mm)	Working pressure MPa						
	0.15	0.2	0.3	0.4	0.5	0.6	0.7
$\phi 6$	-	-	9.42	12.6	15.7	18.8	22.0
$\phi 10$	-	20.1	30.2	40.2	50.3	60.3	70.4
$\phi 16$	36.8	49.0	73.5	98.0	1.23×10^2	1.47×10^2	1.72×10^2
$\phi 20$	60.3	80.4	1.21×10^2	1.61×10^2	2.01×10^2	2.41×10^2	2.81×10^2
$\phi 25$	1.01×10^2	1.35×10^2	2.02×10^2	2.70×10^2	3.37×10^2	4.04×10^2	4.72×10^2
$\phi 32$	1.81×10^2	2.41×10^2	3.62×10^2	4.83×10^2	6.03×10^2	7.24×10^2	8.44×10^2

Switch specifications

- 1-color/2-color LED

Item	Proximity 2-wire		Proximity 3-wire			Reed 2-wire			
	K2H/K2V	K2YH/ K2YV	K3H/K3V	K3PH/K3PV (Made to order)	K3YH/ K3YV	K0H/K0V		K5H/K5V	
Applications	Dedicated for programmable controller		For programmable controller, relay			For programmable controller, relay		For programmable controller, relay, IC circuit (without indicator lamp), serial connection	
Output method	-		NPN output	PNP output	NPN output	-			
Power supply voltage	-		10 to 28 VDC			-			
Load voltage	10 to 30 VDC		30 VDC or less			12 VDC/24 VDC	110 VAC	5/12/24 VDC	110 VAC
Load current	5 to 20 mA (*3)		50 mA or less			5 to 50mA	7 to 20mA	50 mA or less	20 mA or less
Indicator lamp	LED (Lit when ON)	Red/green LED (Lit when ON)	LED (Lit when ON)	Yellow LED (Lit when ON)	Red/green LED (Lit when ON)	LED (Lit when ON)		-	
Leakage current	1 mA or less		10 µA or less			0mA			
Weight	g								
	1 m: 18	1 m: 31	1 m: 18	1 m: 31		1 m: 18 3 m: 49 5 m: 80			
	3 m: 49	3 m: 85	3 m: 49	3 m: 85					
	5 m: 80	5 m: 139	5 m: 80	5 m: 139					

*1 : Refer to Ending Page 1 for detailed switch specifications and dimensions.

*2 : Switches other than the above models, such as switches with connectors, are also available. Refer to Ending Page 1.

*3 : The max. load current is 20 mA at 25°C. The current is lower than 20 mA if the operating ambient temperature around the switch is higher than 25°C. (5 to 10 mA at 60°C)

Cylinder weight

Unit: g

Bore size	Product weight at 0 mm stroke		Additional weight per S = 10 mm
	STR2-M	STR2-B	
ø6	100	95	13
ø10	185	200	20
ø16	450	475	44
ø20	735	730	60
ø25	1160	1120	82
ø32	1960	2060	115

(Example) Product weight

STR2-MD-6-10-K2H-D

- Product weight for 0 mm stroke...100g
- Additional weight for 10 mm stroke...13 x1=13g
- Weight of 2 cylinder switches =36g
- Product weight.....100g+13g+36g=149g

- LCM
- LCR
- LCG
- LCW
- LCX
- STM
- STG
- STS/STL
- STR2**
- UCA2
- ULK*
- JSK/M2
- JSG
- JSC3/JSC4
- USSD
- UFCD
- USC
- UB
- JSB3
- LMB
- LML
- HCM
- HCA
- LBC
- CAC4
- UCAC2
- CAC-N
- UCAC-N
- RCS2
- RCC2
- PCC
- SHC
- MCP
- GLC
- MFC
- BBS
- RRC
- GRC
- RV3*
- NHS
- HRL
- LN
- Hand
- Chuk
- MechMod/Chuk
- ShkAbs
- FJ
- FK
- SpdContr
- Ending

STR2-MD Series

How to order

Without switch (built-in magnet for switch)

STR2 - (M) D - (16) - (30) - (O)

With switch (built-in magnet for switch)

STR2 - (M) D - (16) - (30) - (K0H) - (R) - (O)

Model No.

A Bearing

B Bore size

C Port thread

D Stroke

Refer to page 612 for the min. stroke.

E Switch model No.

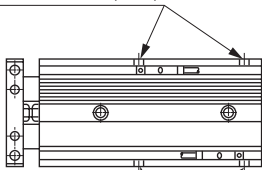
*1

⚠ Precautions for model No. selection

*1 : STR2-B-6 and 10 are not compatible with a reed switch.

*2 : The piping port positions for "O" are as shown in the figure below.

Piping port positions for standard (blank)



Piping port position on the 180° opposite side (code: 0)

*3 : In the case of G thread, ports on the opposite side (option "O") are not available. Rather than plug sealing, they are simply not provided. (The standard ports are not provided in the case of option "O".)

[Example of model No.]

STR2-MD-16-30-K0H-R-O

Model: Twin rod cylinder, double rod

- A** Bearing : Metal bush bearing
- B** Bore size : ϕ 16 mm
- C** Port thread : Rc thread
- D** Stroke : 30 mm
- E** Switch model No.: Reed K0H switch
- F** Switch quantity : 1 on rod side
- G** Option : Piping port position on the 180° opposite side

Code	Description
------	-------------

A Bearing	
M	Metal bush bearing
B	Ball bearing

B Bore size (mm)	
6	ϕ 6
10	ϕ 10
16	ϕ 16
20	ϕ 20
25	ϕ 25
32	ϕ 32

C Port thread	
Blank	Rc thread
NN	NPT thread (ϕ 32 only) (made-to-order product)
GN	G thread (ϕ 32 only) (made-to-order product) *3

D Stroke (mm)		
10	10	ϕ 6 to ϕ 32
20	20	
30	30	
40	40	
50	50	
60	60	ϕ 16 to ϕ 32
70	70	
80	80	
90	90	
100	100	

E Switch model No.						
Straight lead wire	L-shaped lead wire	Contact	Voltage		Indicator	Lead wire
			AC	DC		
K0H*	K0V*	Reed	●	●	1-color LED	2-wire
K5H*	K5V*		●	●	No indicator lamp	
K2H*	K2V*	Proximity		●	1-color LED	2-wire
K3H*	K3V*			●	1-color LED (made to order)	3-wire
K3PH*	K3PV*			●	1-color LED (made to order)	3-wire
K2YH*	K2YV*			●	2-color LED	2-wire
K3YH*	K3YV*			●	2-color LED	3-wire

* Lead wire length	
Blank	1 m (standard)
3	3 m (option)
5	5 m (option)

F Switch quantity	
R	1 on rod side
H	1 on head side
D	2

G Option	
F	End plate material: steel
O	Piping port position on the 180° opposite side

How to order switch

SW - **K0H***

Switch model No.
(Item **E** above)

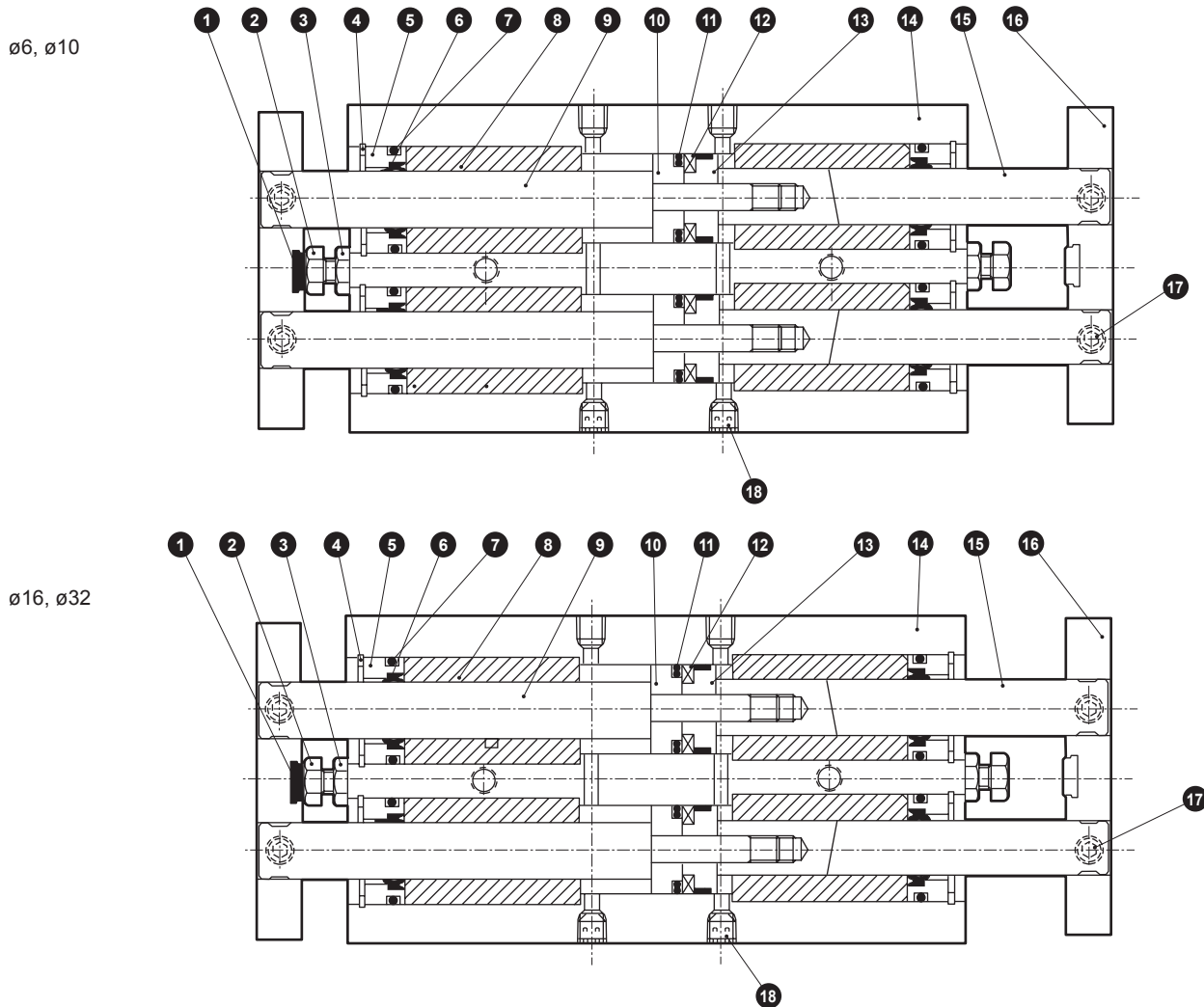
Internal structure and parts list (metal bush bearing)

- Double rod

STR2-MD

- Piping port position on the 180° opposite side

STR2-MD ... -O



No.	Part name	Material	Remarks	No.	Part name	Material	Remarks
1	Cushion rubber (H)	Urethane rubber		10	Piston	Aluminum alloy	Chromate
2	Hexagon head bolt	Stainless steel		11	Piston packing	Nitrile rubber	
3	Hexagon nut	Stainless steel		12	Magnet	Plastic	
4	Snap ring for hole	Stainless steel		13	Spacer	Aluminum alloy	Chromate
5	Housing	Aluminum alloy	Chromate	14	Cylinder body	Aluminum alloy	Hard alumite
6	Rod packing	Nitrile rubber		15	Piston rod (B)	Stainless steel (ø6 to ø20) Steel (ø25, ø32)	Industrial chrome plating (ø16 to ø32)
7	O-ring	Nitrile rubber		16	End plate *1	Aluminum alloy	Alumite
8	Bush	Aluminum alloy		17	Hexagon socket set screw	Stainless steel	
9	Piston rod (A)	Stainless steel (ø6 to ø20) Steel (ø25, ø32)	Industrial chrome plating (ø16 to ø32)	18	Hexagon socket set screw	Stainless steel	

*1 : The steel end plate is zinc chromate.

Repair parts list

Bore size (mm)	Kit No.	Repair parts No.
ø 6	STR2-D-6K	
ø10	STR2-D-10K	
ø16	STR2-D-16K	1 6 7
ø20	STR2-D-20K	
ø25	STR2-D-25K	11
ø32	STR2-D-32K	

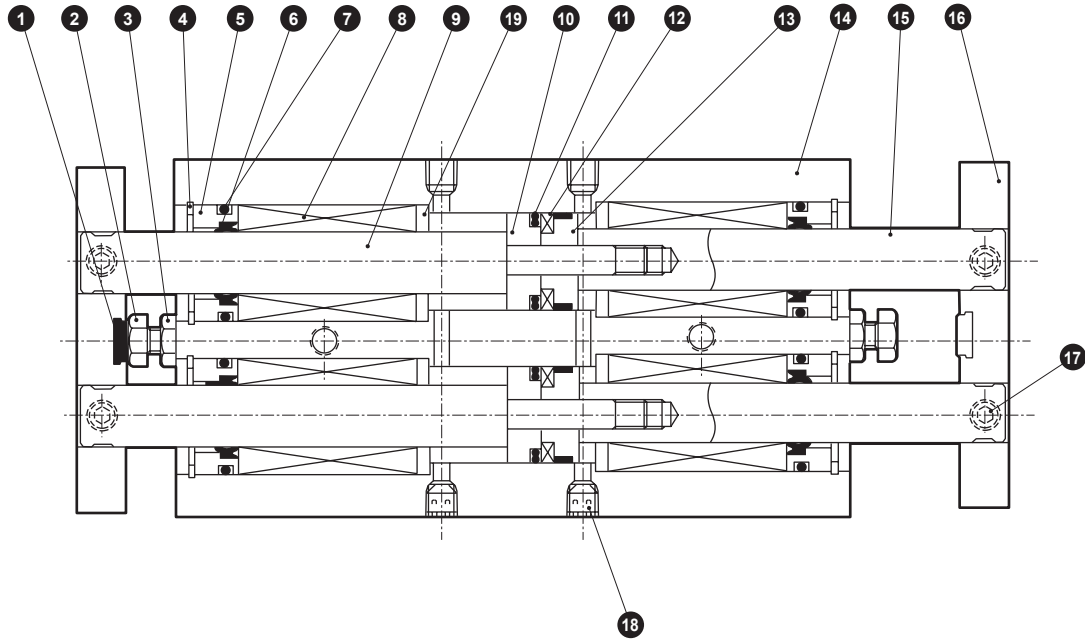
Note: Specify the kit No. when placing an order.

LCM
LCR
LCG
LCW
LCX
STM
STG
STS/STL
STR2
UCA2
ULK*
JSK/M2
JSG
JSC3/JSC4
USSD
UFCD
USC
UB
JSB3
LMB
LML
HCM
HCA
LBC
CAC4
UCAC2
CAC-N
UCAC-N
RCS2
RCC2
PCC
SHC
MCP
GLC
MFC
BBS
RRC
GRC
RV3*
NHS
HRL
LN
Hand
Chuk
MechHnd/Chuk
ShkAbs
FJ
FK
SpdContr
Ending

STR2-BD Series

Internal structure and parts list (ball bearing)

- Double rod
STR2-BD
- Piping port position on the 180° opposite side
STR2-BD ... -O



No.	Part name	Material	Remarks	No.	Part name	Material	Remarks
1	Cushion rubber (H)	Urethane rubber		10	Piston	Aluminum alloy	Chromate
2	Hexagon head bolt	Stainless steel		11	Piston packing	Nitrile rubber	
3	Hexagon nut	Stainless steel		12	Magnet	Plastic	
4	Snap ring for hole	Stainless steel		13	Spacer	Aluminum alloy	Chromate
5	Housing	Stainless steel (ø6, ø10)	Chromate	14	Cylinder body	Aluminum alloy	Hard alumite
		Aluminum alloy (ø16 to ø32)		15	Piston rod (B)	Steel	Industrial chrome plating
6	Rod packing	Nitrile rubber		16	End plate	Aluminum alloy	Alumite
7	O-ring	Nitrile rubber		17	Hexagon socket set screw	Stainless steel	
8	Bearing			18	Hexagon socket set screw	Stainless steel	
9	Piston rod (A)	Steel	Industrial chrome plating	19	Spacer	Aluminum alloy	Chromate

Repair parts list

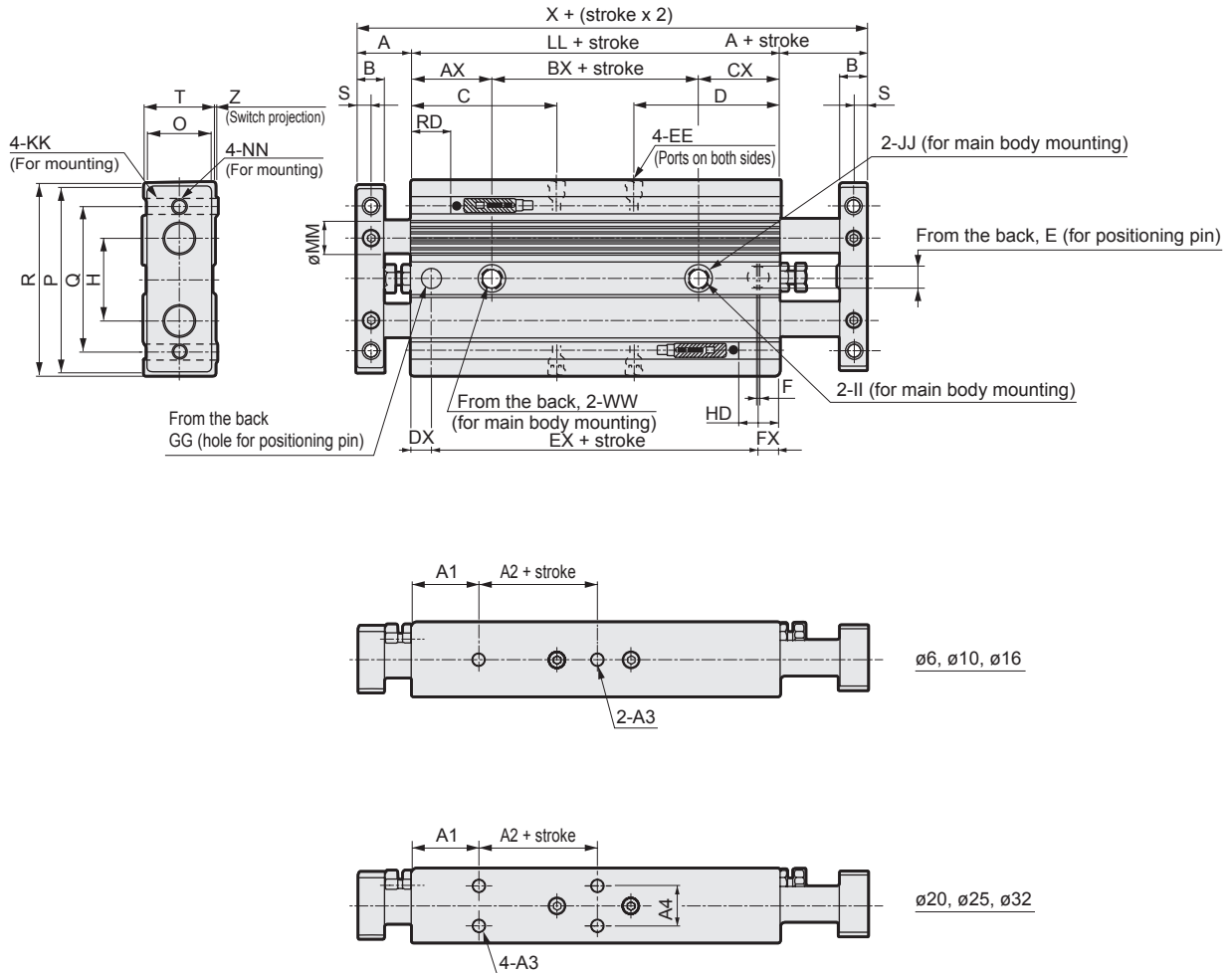
Bore size (mm)	Kit No.	Repair parts No.
ø 6	STR2-D-6K	
ø10	STR2-D-10K	
ø16	STR2-D-16K	1 6 7
ø20	STR2-D-20K	11
ø25	STR2-D-25K	
ø32	STR2-D-32K	

Note: Specify the kit No. when placing an order.

Dimensions (ø6 to ø32)



- Double rod (D), piping port position on the 180° opposite side (O)



- *1 : HD and RD dimensions for 10 mm stroke differ from these dimensions according to the setting.
- *2 : Refer to page 619 for HD, RD and protruding dimensions of the 2-color LED switch.
- *3 : STR2-B-6 and 10 are not compatible with K0 and K5 reed switches.
- *4 : The cylinder may tilt due to the uneven surface if it is installed with the spot face side (JJ) contacted. In this case, change the port position or use the option of piping port position on the 180° opposite side (O) to keep the spot face side from being the contacting surface.

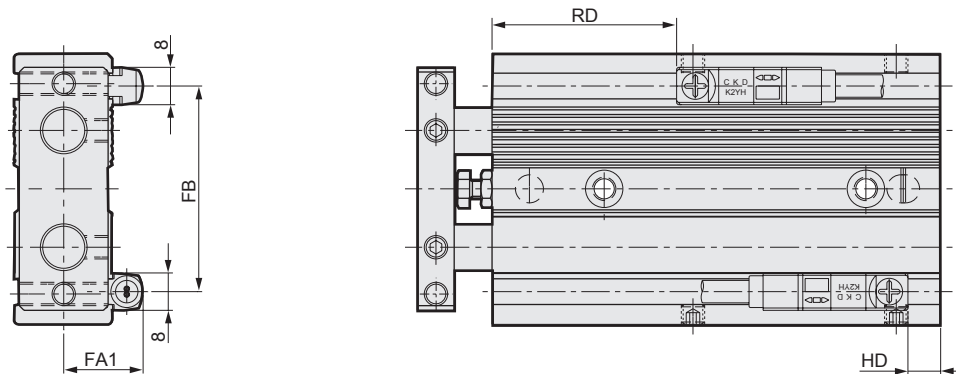
Code	Basic dimensions																		
Bore size (mm)	A	B	C	D	E	EE	F	GG	H	II	JJ	KK	LL	MM	NN	O	P		
ø 6	12	6	24.5	24.5	4 ^{+0.07} _{-0.02} depth 4	M5	1	4 ^{+0.07} _{-0.02} depth 4	14	3.4	6.5 spot face depth 3.3	M3 through	61	4	M3 through	11	34		
ø10	14	6	35	35	4 ^{+0.07} _{-0.02} depth 4	M5	1	4 ^{+0.07} _{-0.02} depth 4	20	4.3	8 spot face depth 4.4	M4 through	82.5	6	M4 through	13	42		
ø16	16	8	43	43	6 ^{+0.07} _{-0.02} depth 6	M5	1	6 ^{+0.07} _{-0.02} depth 6	25	4.3	8 spot face depth 4.4	M5 through	99	10	M5 through	19	52		
ø20	20	10	46	46	6 ^{+0.07} _{-0.02} depth 6	M5	1	6 ^{+0.07} _{-0.02} depth 6	28	5.2	9.5 spot face depth 5.4	M5 through	108	12	M5 through	24	60		
ø25	22	12	44	44	6 ^{+0.07} _{-0.02} depth 6	M5	1	6 ^{+0.07} _{-0.02} depth 6	34	6.3	11 spot face depth 6.5	M6 through	108	14	M6 through	30	70		
ø32	22	12	56	56	6 ^{+0.07} _{-0.02} depth 6	Rc 1/8	1	6 ^{+0.07} _{-0.02} depth 6	44	6.3	11 spot face depth 6.5	M6 through	133	16	M6 through	36	94		
Code																	K0/K5/K2/K3		
Bore size (mm)	Q	R	S	T	WW	X	AX	BX	CX	DX	EX	FX	Z	A1	A2	A3	A4	HD	RD
ø 6	29	36	3	13	M4 depth 5	85	20	21	20	7	47	7	1.0	15	10	M3 depth 4	-	20.5 *1	21 *1
ø10	36	44	3	15	M5 depth 6	110.5	24	34.5	24	8	65.5	9	1.0	15	20	M3 depth 3.5	-	30.5 *1	32.5 *1
ø16	45	58	4	21	M5 depth 6	131	24	51	24	8	83	8	0.5	20	25	M4 depth 4	-	39	40.5
ø20	50	62	5	27	M6 depth 8	148	24	60	24	9	90	9	0.5	20	30	M4 depth 4	13	43	45
ø25	60	72	6	33	M8 depth 8	152	24	60	24	9	90	9	0.5	20	30	M5 depth 6	18	43.5	44.5
ø32	75	96	6	38	M8 depth 8	177	24	85	24	9	115	9	0.5	20	40	M5 depth 8	24	55.5	57.5

LCM
LCR
LCG
LCW
LCX
STM
STG
STS/STL
STR2
UCA2
ULK*
JSK/M2
JSG
JSC3/JSC4
USSD
UFCD
USC
UB
JSB3
LMB
LML
HCM
HCA
LBC
CAC4
UCAC2
CAC-N
UCAC-N
RCS2
RCC2
PCC
SHC
MCP
GLC
MFC
BBS
RRC
GRC
RV3*
NHS
HRL
LN
Hand
Chuk
MechHnd/Chuk
ShkAbs
FJ
FK
SpdContr
Ending

STR2-M_B Series

STR2 Series with switch common dimensions (2-color LED switch)

- Standard, low speed (O), position locking (Q), fine speed (F), end plate material: steel (F)
rear piping (R), copper and PTFE free (P6), piping port position on the 180° opposite side (O)

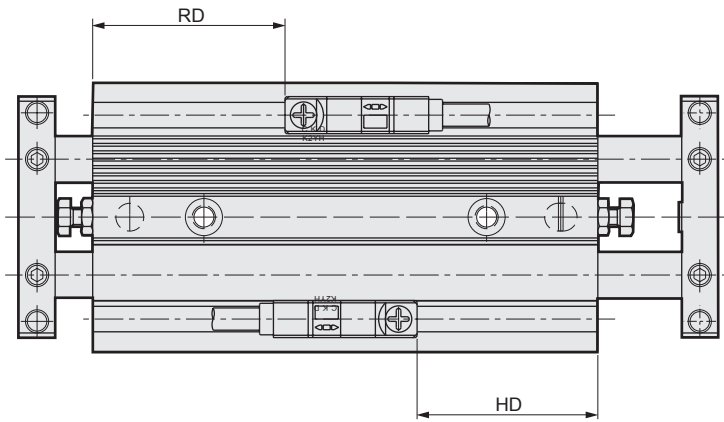
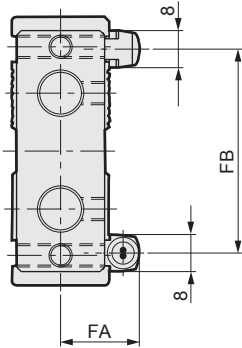


- 2-color LED K□YH/V

Code	FA	FB	RD				HD			
			STR2-M _B -O STR2-M _B -F STR2-M _B -P6 STR2-M _B -O	STR2-M _B -R	STR2-M _B -Q-H	STR2-M _B -Q-R	STR2-M _B -O STR2-M _B -F STR2-M _B -P6 STR2-M _B -O	STR2-M _B -R	STR2-M _B -Q-H	STR2-M _B -Q-R
ø6	13.5	24	20	20	-	-	2.5	12.5	-	-
ø10	14.5	34	32	32	-	-	1	11	-	-
ø16	17	44	38.5	38.5	38.5	68.5	5.5	15.5	35.5	5.5
ø20	20	49	44	44	44	74	9.5	19.5	39.5	9.5
ø25	23	58	42.5	42.5	42.5	72.5	10.5	20.5	40.5	10.5
ø32	25.5	71	54.5	54.5	54.5	84.5	14.5	24.5	44.5	14.5

STR2 Series with switch common dimensions (2-color LED switch)

● Double rod (D)



● 2-color LED K□YH/V

Code	FA	FB	RD	HD
ø6	13.5	24	20	19.5
ø10	14.5	34	31	29
ø16	17	44	39	38
ø20	20	49	44	42
ø25	23	58	43.5	42.5
ø32	25.5	71	56.5	54.5

- LCM
- LCR
- LCG
- LCW
- LCX
- STM
- STG
- STS/STL
- STR2**
- UCA2
- ULK*
- JSK/M2
- JSG
- JSC3/JSC4
- USSD
- UFCD
- USC
- UB
- JSB3
- LMB
- LML
- HCM
- HCA
- LBC
- CAC4
- UCAC2
- CAC-N
- UCAC-N
- RCS2
- RCC2
- PCC
- SHC
- MCP
- GLC
- MFC
- BBS
- RRC
- GRC
- RV3*
- NHS
- HRL
- LN
- Hand
- Chuk
- MechHnd/Chuk
- ShkAbs
- FJ
- FK
- SpdContr
- Ending