



# GTY Series

Standard Environment  
Integrated Linear Bearing Ball Screw Actuator

## CONTENTS

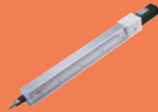
### Standard/Ball Screw

SMALL  
**GTY4**



Width 44mm  
Max. stroke 500mm .....087  
Max. payload 25kg

SMALL  
**GTY5**



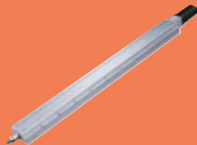
Width 54mm  
Max. stroke 600mm .....095  
Max. payload 30kg

MEDIUM  
**GTY8**



Width 82mm  
Max. stroke 800mm .....099  
Max. payload 50kg

LARGE  
**GTY12**



Width 120mm  
Max. stroke 800mm .....107  
Max. payload 110kg

Application
Standard Ball Screw Type GTH Series
Standard Belt Type ETB / M
Cleanroom Ball Screw Type GCH / ECH
Cleanroom Belt Type ECB
Reference

## Spec Index of Electric Actuator

### GTH Built - in Linear Motion Guide Ball Screw Actuator - Slider Type

Env.	Drive Type	Model No.	Motor Output (w)	Width (mm)	Repeatability (mm)	Ball Screw Spec		Maximum Payload(kg)		Max. Speed**1 (mm/s)
						Outer Dia.(mm)	Lead(mm)	Horizontal	Vertical	
		GTY4	50W	44	±0.01	10	2	25	8	100
							6	20	5	360
			12				12	2	720	
			2				25	8	100	
		GTY5	100W	54	±0.01	12	6	20	8	360
							12	12	3.5	720
			2				30	10	100	
			5				30	10	300	
		GTY8	200W	82	±0.01	16	10	15	5	600
							20	10	2.5	1200
			5				50	15	300	
			10				30	8	600	
GTY12	400W	120	±0.01	16	20	18	3	120		
					5	110	33	300		
					10	88	22	600		
					32	30	8	1920		

\*1:The highest speed is based on the maximum servo motor's rpm (3000).

\*2:Written here is the standard storke's maximum safe speed. If over this speed, it may casue serious virbration.

免費服務專線：大陸 400-875-0009 台灣 0800-800-893  
 Toll-free Number China Taiwan

Application

Standard  
Ball Screw Type  
GTY

Standard  
Belt Type  
ETB / M

Cleanroom  
Ball Screw Type  
GCH / ECH

Cleanroom  
Belt Type  
ECB

Reference

Stroke(mm) & Maximum Speed(mm/s) <sup>*2</sup>																	Speed										Page		
Stroke	50	100	150	200	250	300	350	400	450	500	550	600	650	700	750	800	850	900	950	1000	1050	1100	1200	1300	1400	1500	1600		
100																													087
360										330																			
720										660																			
100																													
360										330																			
720										660																			
100																													
300											292	250																	
600											583	500																	
1200											1167	1000																	
300													292	250	225	200													
600													583	500	450	400													
1200													1167	1000	900	800													
300															250														
600															500														
1200															1000														
1920															1600														

# GTY4

▶ Integrated Linear Bearing

▶ Ball Screw Drive

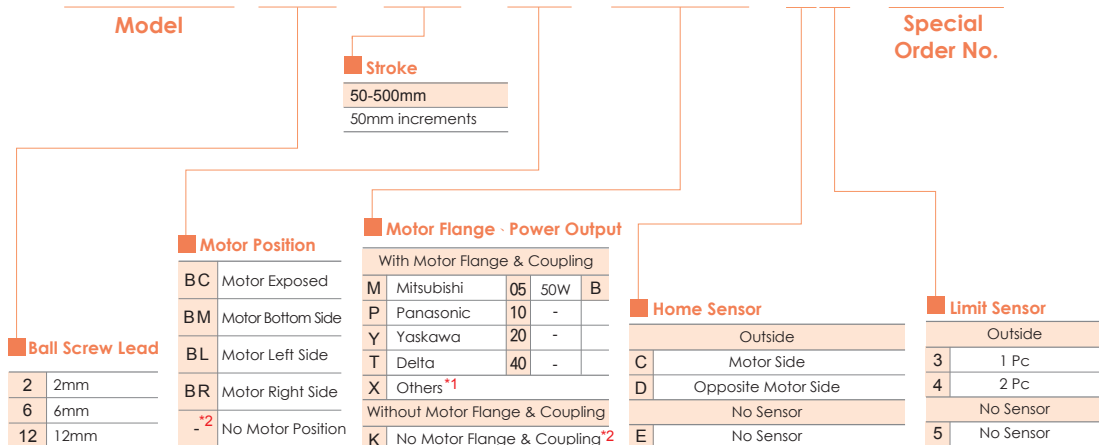


Please consult our company website for a detailed description on selection requirements and nominal life calculations.

The picture is just for the reference. Please check the the actual dimensions on the drawing.

## Ordering Method

### GTY4 - L2 - 100 - BC - X - C4 - 0001

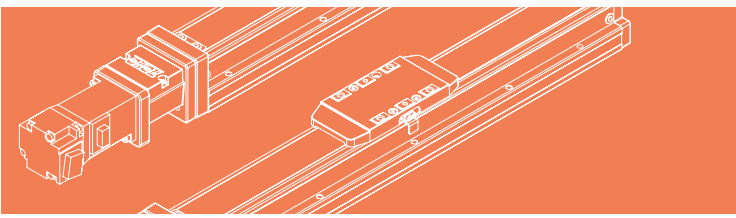


\*1 When choosing non-standard motor X, the motor spec must be provided and confirmed by TOYO for installation before the order is established.

\*2 When K is selected, the motor position need no description.

\*When the stroke is 50mm, the sensor installation has the following restrictions:

1.The home sensor and the limit sensor must be installed on different sides of the body.  
2.The sensor trigger device must be installed on both sides of the device.



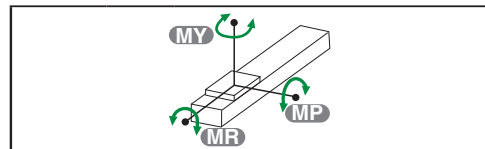
**Specification**

<b>Item</b>	<b>Ball screw</b>	Outer dia. & Precision grade		mm	Ø10 & C7			
		Lead		mm	2	6	12	
		Maximum Rotating speed		rpm	3000	3600	3600	
		Maximum linear speed <sup>#1</sup>		mm/s	100	360	720	
		Basic dynamic load rating Ca		N	2265	2537	1740	
		Basic static load rating Coa		N	4839	4569	3052	
		Load factor			1.2	1.35	1.35	
	<b>Linear Guide</b>	Dynamic horizontal	100 Km of travel	kgf	493			
			1000 Km of travel	kgf	229			
			10000 Km of travel	kgf	106			
		Static horizontal		kg	1293			
	<b>Fixed bearing</b>	Basic dynamic load rating Cr		N	1730			
		Static load rating Cor		N	3800			
	<b>Common Spec</b>	Repeatability		mm	±0.01			
		Start torque		N.cm	2			
		Allowable input torque		N.m	1.1			
		Maximum acceleration		m/s <sup>2</sup>	10			
		Friction coefficient			0.03			
		Stroke (increments)		mm	50-500 (50 increments)			
		Ambient temperature <sup>#2</sup>		°C	0~+40			

※1 Estimated max speed and max payload when using a standard 100W servo motor.  
( Confirm max speed and payload at the same time. )

※2 Customized temperature:-20°C~ 80°C. special grease requirement need to follow customization process.

**Static Loading Moment**

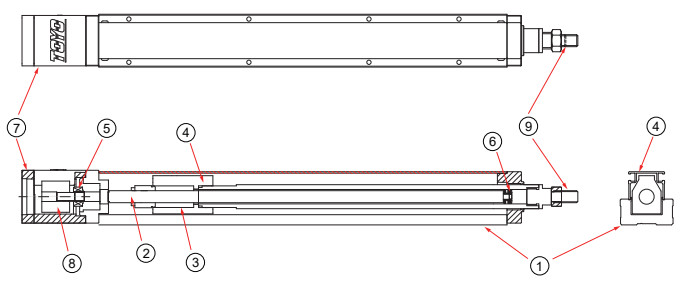


<b>MY</b>	N.m	79
<b>MP</b>	N.m	79
<b>MR</b>	N.m	116

**Dynamic Loading Moment**

Travel	km	100	1000	10000
<b>MY</b>	N.m	24.9	11.6	5.4
<b>MP</b>	N.m	24.9	11.6	5.4
<b>MR</b>	N.m	37.5	17.4	8.1

**Parts list**



No.	Part Description	Material
1	Housing	AL6463
2	Ball Screw	S45C
3	Ball Screw Nut	S45C
4	Steel Band	SUS430
5	Carriage	SNCM21H
6	Ball Bearing Dual Arrangement	SUJ2
7	Ball Bearing	SUJ2
8	Fixed Support Block-Inline Motor Mounting Bracket	AL6061
9	Coupling- Clamping	AL6061

GTY Series

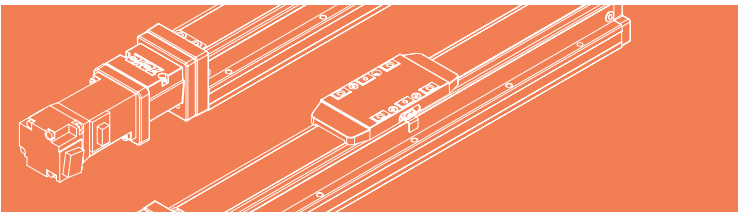
GTY4

GTY5

GTY8

GTY12



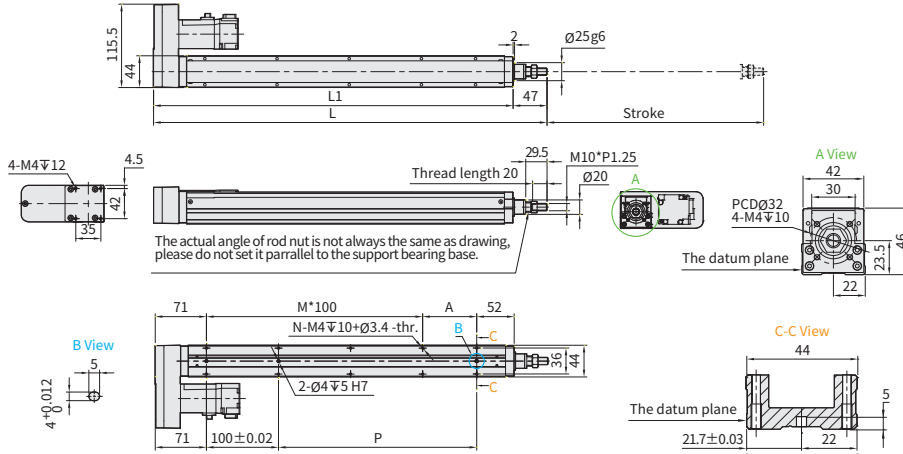


**BR** Motor Left Side



Download CAD data at [www.toyorobot.com](http://www.toyorobot.com)

Unit : mm



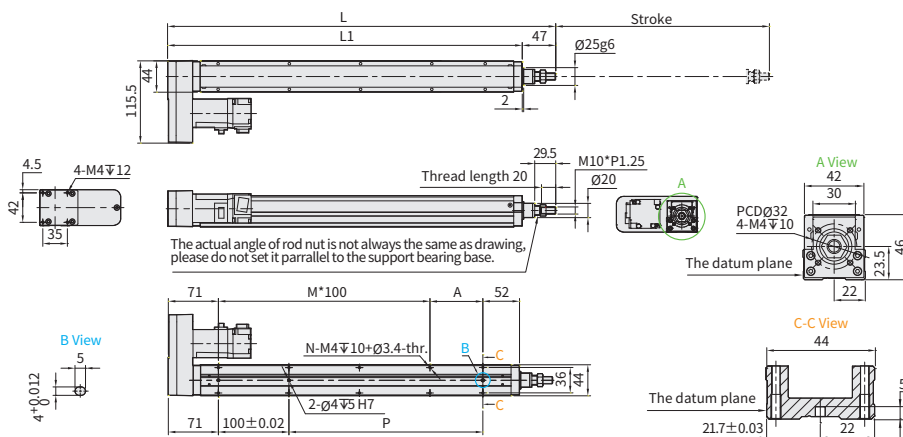
Stroke	50	100	150	200	250	300	350	400	450	500
Limit Stroke (±1)	70	120	170	220	270	320	370	420	470	520
L	295	345	395	445	495	545	595	645	695	745
L1	248	298	348	398	448	498	548	598	648	698
A	25	75	25	75	25	75	25	75	25	75
M	1	1	2	2	3	3	4	4	5	5
N	6	6	8	8	10	10	12	12	14	14
P	25	75	125	175	225	275	325	375	425	475
KG <sup>*1</sup>	0.7	0.88	1.06	1.24	1.42	1.6	1.78	1.96	2.14	2.32
Linear Speed mm/s	Lead 2	100								
	Lead 6	360								
	Lead 12	720								
		330								
		660								

**BL** Motor Right Side



Download CAD data at [www.toyorobot.com](http://www.toyorobot.com)

Unit : mm



Stroke	50	100	150	200	250	300	350	400	450	500
Limit Stroke (±1)	70	120	170	220	270	320	370	420	470	520
L	295	345	395	445	495	545	595	645	695	745
L1	248	298	348	398	448	498	548	598	648	698
A	25	75	25	75	25	75	25	75	25	75
M	1	1	2	2	3	3	4	4	5	5
N	6	6	8	8	10	10	12	12	14	14
P	25	75	125	175	225	275	325	375	425	475
KG <sup>*1</sup>	0.7	0.88	1.06	1.24	1.42	1.6	1.78	1.96	2.14	2.32
Linear Speed mm/s	Lead 2	100								
	Lead 6	360								
	Lead 12	720								
		330								
		660								

GT<sup>Y</sup> Series

GT<sup>Y</sup>4

GT<sup>Y</sup>5

GT<sup>Y</sup>8

GT<sup>Y</sup>12

# GTY4

▶ Integrated Linear Bearing

▶ Ball Screw Drive

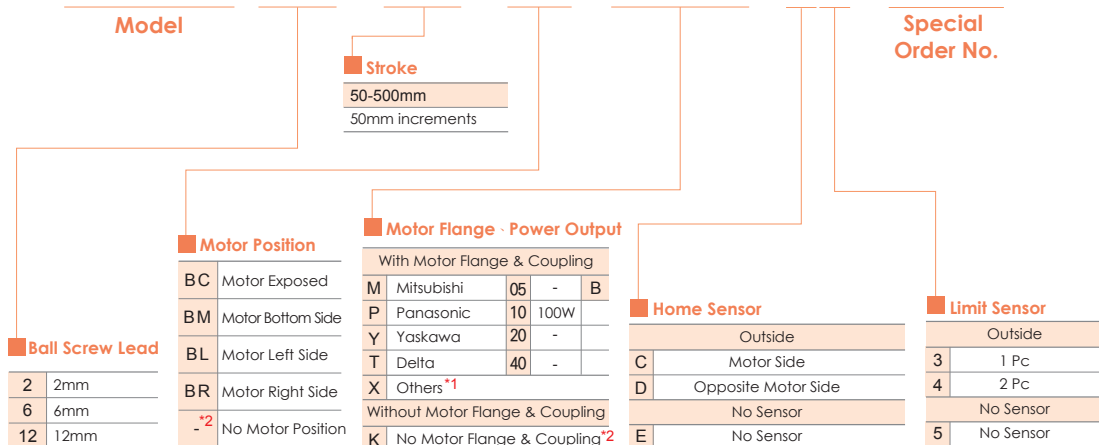


Please consult our company website for a detailed description on selection requirements and nominal life calculations.

The picture is just for the reference. Please check the the actual dimensions on the drawing.

## Ordering Method

### GTY4 - L2 - 100 - BC - X - C4 - 0001



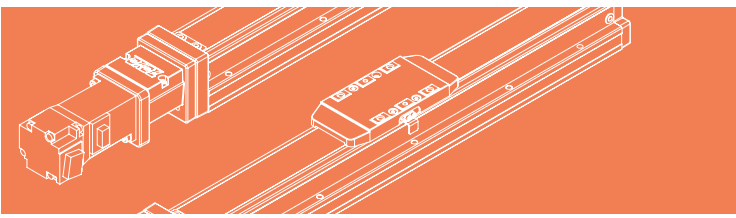
\*1 When choosing non-standard motor X, the motor spec must be provided and confirmed by TOYO for installation before the order is established.

\*2 When K is selected, the motor position need no description.

\*When the stroke is 50mm, the sensor installation has the following restrictions:

1.The home sensor and the limit sensor must be installed on different sides of the body.  
2.The sensor trigger device must be installed on both sides of the device.





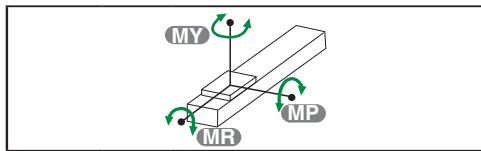
**Specification**

Item	Ball screw	Outer dia. & Precision grade		mm	Ø10 & C7			
		Lead		mm	2	6	12	
		Maximum Rotating speed		rpm	3000	3600	3600	
		Maximum linear speed <sup>#1</sup>		mm/s	100	360	720	
		Basic dynamic load rating Ca		N	2265	2537	1740	
		Basic static load rating Coa		N	4839	4569	3052	
		Load factor			1.2	1.35	1.35	
	Linear Guide	Dynamic horizontal	100 Km of travel	kgf	493			
			1000 Km of travel	kgf	229			
			10000 Km of travel	kgf	106			
Static horizontal		kg	1293					
Fixed bearing	Basic dynamic load rating Cr		N	1730				
	Static load rating Cor		N	3800				
Common Spec	Repeatability		mm	±0.01				
	Start torque		N.cm	2				
	Allowable input torque		N.m	1.1				
	Maximum acceleration		m/s <sup>2</sup>	10				
	Friction coefficient			0.03				
	Stroke (increments)		mm	50-500 (50 increments)				
	Ambient temperature <sup>#2</sup>		°C	0~+40				

※1 Estimated max speed and max payload when using a standard 100W servo motor.  
( Confirm max speed and payload at the same time. )

※2 Customized temperature:-20°C~ 80°C. special grease requirement need to follow customization process.

**Static Loading Moment**

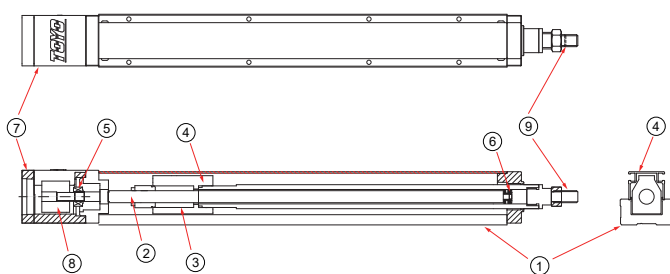


<b>MY</b>	N.m	79
<b>MP</b>	N.m	79
<b>MR</b>	N.m	116

**Dynamic Loading Moment**

Travel	km	100	1000	10000
<b>MY</b>	N.m	24.9	11.6	5.4
<b>MP</b>	N.m	24.9	11.6	5.4
<b>MR</b>	N.m	37.5	17.4	8.1

**Parts list**



No.	Part Description	Material
1	Housing	AL6463
2	Ball Screw	S45C
3	Ball Screw Nut	S45C
4	Steel Band	SUS430
5	Carriage	SNCM21H
6	Ball Bearing Dual Arrangement	SUJ2
7	Ball Bearing	SUJ2
8	Fixed Support Block-Inline Motor Mounting Bracket	AL6061
9	Coupling- Clamping	AL6061

GT4 Series

GT4

GT5



GT8

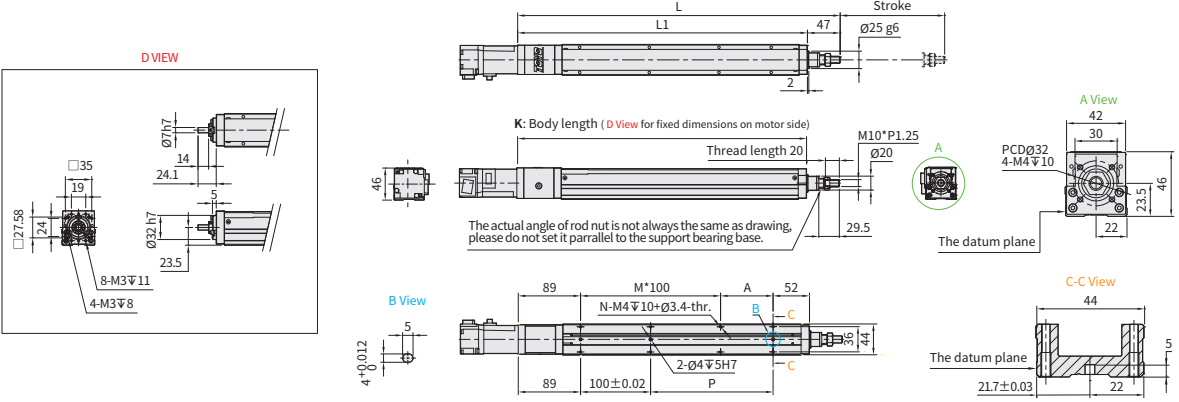
GT12

# GTY4

▶ Integrated Linear Bearing

▶ Ball Screw Drive

**BC** Motor Exposed   [Download CAD data at www.toyorobot.com](http://www.toyorobot.com) Unit : mm



**D VIEW**

**A View**

**B View**

**C-C View**

**Stroke**

**L**

**L1**

**Stroke**

$\varnothing 25\text{g6}$

**K: Body length (D View for fixed dimensions on motor side)**

Thread length 20

M10\*P1.25

$\varnothing 20$

29.5

The actual angle of rod nut is not always the same as drawing, please do not set it parallel to the support bearing base.

The datum plane

PCD $\varnothing 32$

4-M4 $\nabla 10$

42

30

23.5

46

22

**C-C View**

The datum plane

44



21.7 $\pm 0.03$

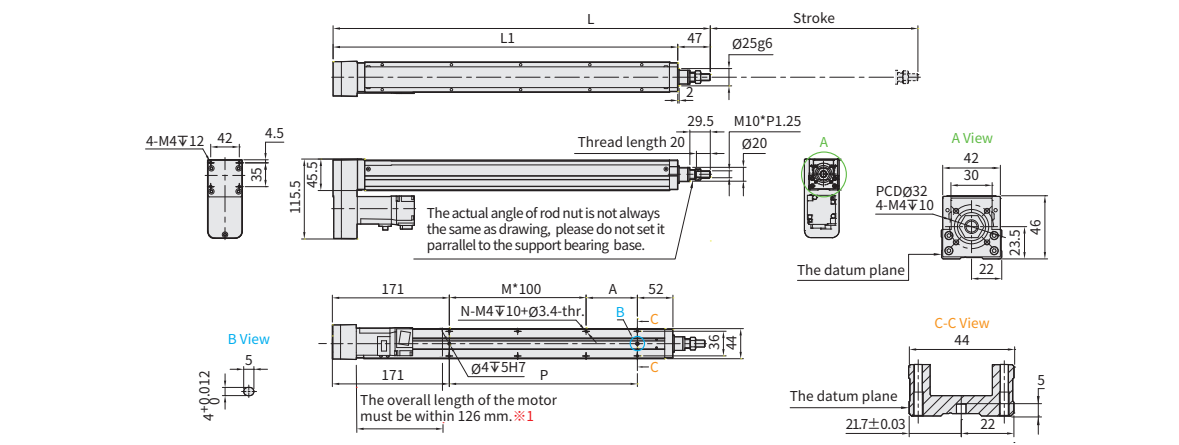
22

5

Stroke	50	100	150	200	250	300	350	400	450	500
Limit Stroke ( $\pm 1$ )	70	120	170	220	270	320	370	420	470	520
L	313	363	413	463	513	563	613	663	713	763
L1	266	316	366	416	466	516	566	616	666	716
A	25	75	25	75	25	75	25	75	25	75
M	1	1	2	2	3	3	4	4	5	5
N	6	6	8	8	10	10	12	12	14	14
P	25	75	125	175	225	275	325	375	425	475
KG <sup>*1</sup>	0.7	0.87	1.04	1.22	1.4	1.58	1.76	1.94	2.12	2.3
K	213	263	313	363	413	463	513	563	613	663
Linear Speed mm/s	Lead 2	100								
	Lead 6	330								
	Lead 12	660								

<sup>\*1</sup> KG refers to the weight with motor related accessories (excluding motor), not corresponding to K Type.

**BM** Motor Bottom Side   [Download CAD data at www.toyorobot.com](http://www.toyorobot.com) Unit : mm



**A View**

**B View**

**C-C View**

**Stroke**

**L**

**L1**

**Stroke**

$\varnothing 25\text{g6}$

47

2

29.5

M10\*P1.25

Thread length 20

$\varnothing 20$

A

The actual angle of rod nut is not always the same as drawing, please do not set it parallel to the support bearing base.

The datum plane

PCD $\varnothing 32$

4-M4 $\nabla 10$

42

30

23.5

46

22

**C-C View**

The datum plane

44

21.7 $\pm 0.03$

22

5

115.5

45.5

4.5

4-M4 $\nabla 12$

42

35

**B View**

4+ $\varnothing 0.012$

5

171

M\*100

A

52

N-M4 $\nabla 10+\varnothing 3.4\text{-thr.}$

B

C

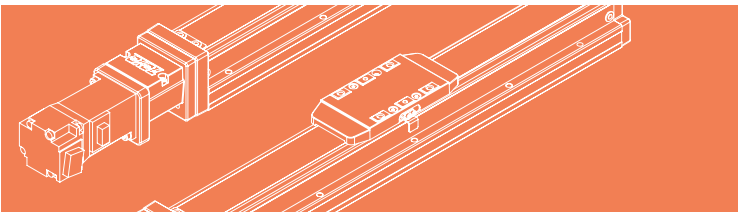
$\varnothing 4\text{H7}$

P

The overall length of the motor must be within 126 mm. <sup>\*1</sup>

Stroke	50	100	150	200	250	300	350	400	450	500
Limit Stroke ( $\pm 1$ )	70	120	170	220	270	320	370	420	470	520
L	295	345	395	445	495	545	595	645	695	745
L1	248	298	348	398	448	498	548	598	648	698
A	25	75	25	75	25	75	25	75	25	75
M	0	0	1	1	2	2	3	3	4	4
N	4	4	6	6	8	8	10	10	12	12
P	25	75	125	175	225	275	325	375	425	475
KG <sup>*1</sup>	0.7	0.88	1.06	1.24	1.42	1.6	1.78	1.96	2.14	2.32
Linear Speed mm/s	Lead 2	100								
	Lead 6	330								
	Lead 12	660								

<sup>\*1</sup> When motor with brake assembled on lower side, or the total length over than spec limit, it may not use standard pinhole. Please contact our sales department if you need more information & requirement.

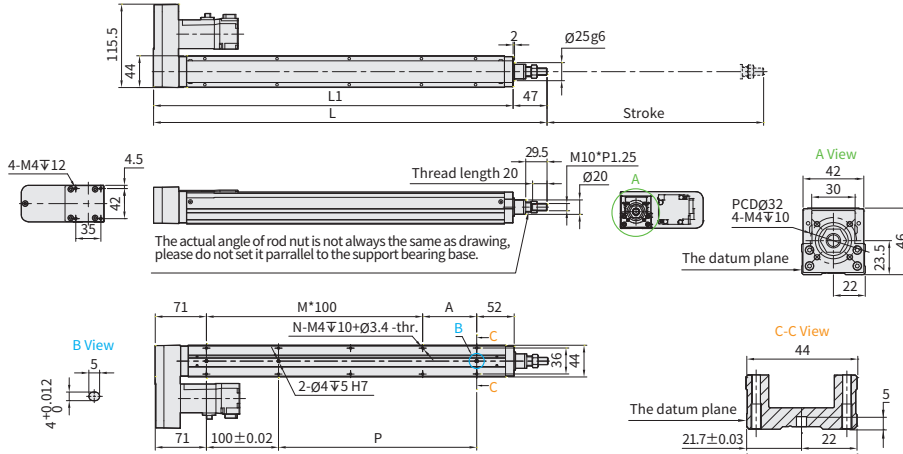


**BR** Motor Left Side



Download CAD data at [www.toyorobot.com](http://www.toyorobot.com)

Unit : mm



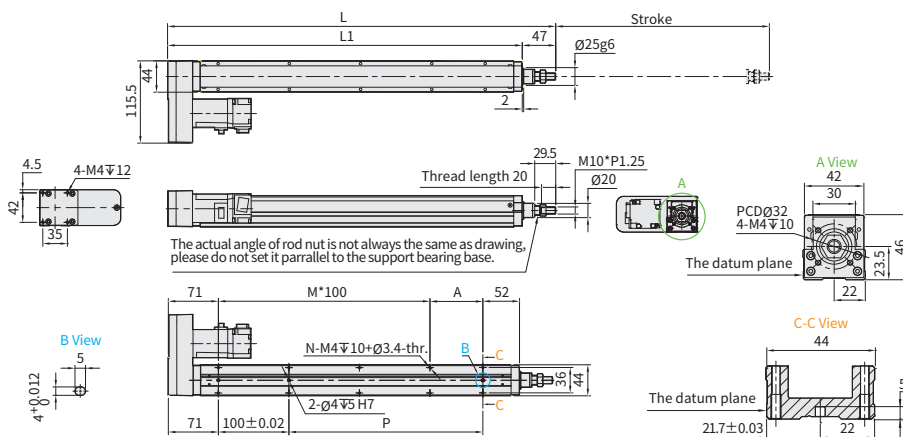
Stroke	60	100	150	200	250	300	350	400	450	500
Limit Stroke ( $\pm 1$ )	70	120	170	220	270	320	370	420	470	520
L	295	345	395	445	495	545	595	645	695	745
L1	248	298	348	398	448	498	548	598	648	698
A	25	75	25	75	25	75	25	75	25	75
M	1	1	2	2	3	3	4	4	5	5
N	6	6	8	8	10	10	12	12	14	14
P	25	75	125	175	225	275	325	375	425	475
KG <sup>*1</sup>	0.7	0.88	1.06	1.24	1.42	1.6	1.78	1.96	2.14	2.32
Linear Speed mm/s	Lead 2	100								
	Lead 6	360								
	Lead 12	720								
									330	660

**BL** Motor Right Side



Download CAD data at [www.toyorobot.com](http://www.toyorobot.com)

Unit : mm



Stroke	60	100	150	200	250	300	350	400	450	500
Limit Stroke ( $\pm 1$ )	70	120	170	220	270	320	370	420	470	520
L	295	345	395	445	495	545	595	645	695	745
L1	248	298	348	398	448	498	548	598	648	698
A	25	75	25	75	25	75	25	75	25	75
M	1	1	2	2	3	3	4	4	5	5
N	6	6	8	8	10	10	12	12	14	14
P	25	75	125	175	225	275	325	375	425	475
KG <sup>*1</sup>	0.7	0.88	1.06	1.24	1.42	1.6	1.78	1.96	2.14	2.32
Linear Speed mm/s	Lead 2	100								
	Lead 6	360								
	Lead 12	720								
									330	660

GT<sub>Y</sub> Series

GT<sub>Y</sub>4

GT<sub>Y</sub>5

GT<sub>Y</sub>8

GT<sub>Y</sub>12

# GTY5

▶ Integrated Linear Bearing

▶ Ball Screw Drive

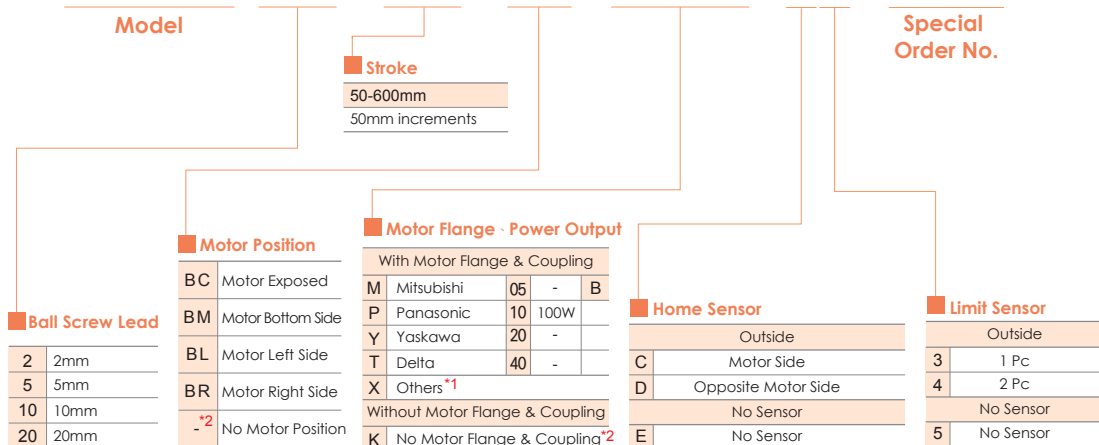


Please consult our company website for a detailed description on selection requirements and nominal life calculations.

The picture is just for the reference. Please check the the actual dimensions on the drawing.

## Ordering Method

### GTY5 - L5 - 100 - BC - X - C4 - 0001

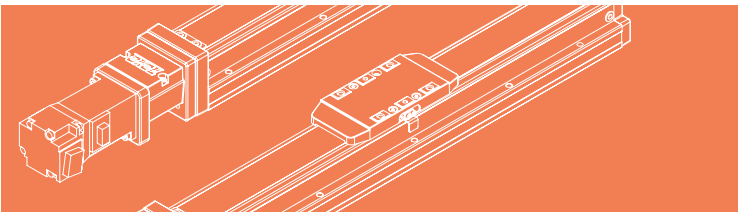


<sup>\*1</sup> When choosing non-standard motor X, the motor spec must be provided and confirmed by TOYO for installation before the order is established.

<sup>\*2</sup> When K is selected, the motor position need no description.

<sup>\*</sup>When the stroke is 50mm, the sensor installation has the following restrictions:

1.The home sensor and the limit sensor must be installed on different sides of the body.  
2.The sensor trigger device must be installed on both sides of the device.



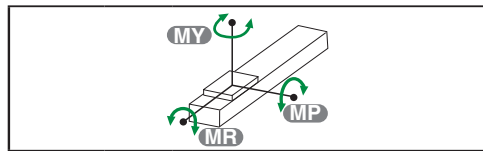
**Specification**

<b>Item</b>	<b>Ball screw</b>	Outer dia. & Precision grade		mm	Ø12 & C7			
		Lead		mm	2	5	10	20
		Maximum Rotating speed		rpm	3000	3600	3600	3600
		Maximum linear speed <sup>※1</sup>		mm/s	100	300	600	1200
		Basic dynamic load rating Ca		N	2411	4829	4680	11284
		Basic static load rating Coa		N	5779	7836	7649	20410
		Load factor			1.2	1.2	1.35	1.35
	<b>Linear Guide</b>	Dynamic horizontal	100 Km of travel	kgf	602			
			1000 Km of travel	kgf	279			
			10000 Km of travel	kgf	130			
		Static horizontal		kg	1724			
	<b>Fixed bearing</b>	Basic dynamic load rating Cr		N	1730			
		Static load rating Cor		N	3800			
	<b>Common Spec</b>	Repeatability		mm	±0.01			
		Start torque		N.cm	7			
		Allowable input torque		N.m	1.1			
		Maximum acceleration		m/s <sup>2</sup>	10			
		Friction coefficient			0.03			
		Stroke interval		mm	50-600 (50 increments)			
		Ambient temperature <sup>※2</sup>		°C	0~+40			

※1 Estimated max speed and max payload when using a standard 100W servo motor.  
( Confirm max speed and payload at the same time. )

※2 Customized temperature:-20°C- 80°C. special grease requirement need to follow customization process.

**Static Loading Moment**

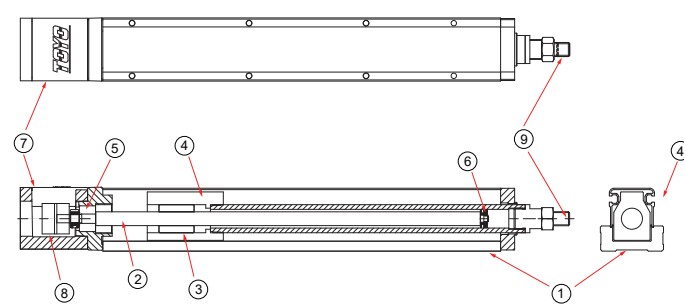


<b>MY</b>	N.m	103
<b>MP</b>	N.m	103
<b>MR</b>	N.m	144

**Dynamic Loading Moment**

Travel	km	100	1000	10000
<b>MY</b>	N.m	40.8	18.9	8.8
<b>MP</b>	N.m	40.8	18.9	8.8
<b>MR</b>	N.m	58.5	27.2	12.6

**Parts list**



No.	Part Description	Material
1	Housing	AL6463
2	Ball Screw	S45C
3	Ball Screw Nut	S45C
4	Steel Band	SUS430
5	Carriage	SNCM21H
6	Ball Bearing Dual Arrangement	SUJ2
7	Ball Bearing	SUJ2
8	Fixed Support Block-Inline Motor Mounting Bracket	AL6061
9	Coupling- Clamping	AL6061

GTY Series

GTY4

GTY5



GTY8

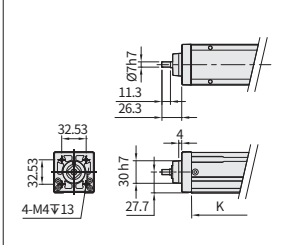
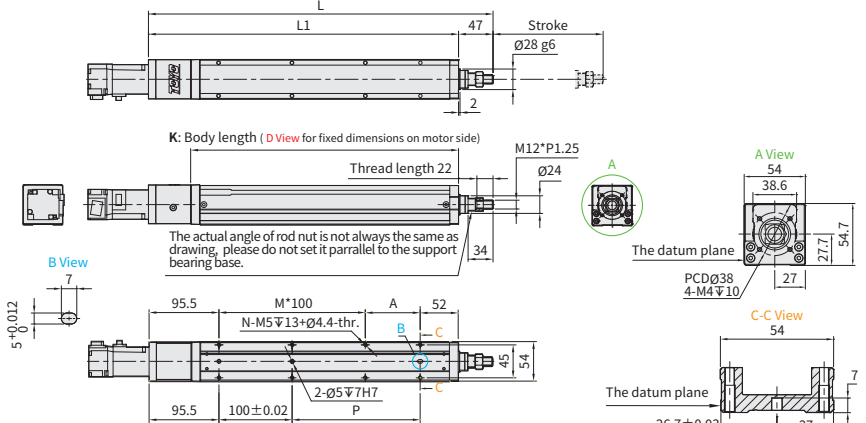
GTY12

# GTY5

▶ Integrated Linear Bearing

▶ Ball Screw Drive



**BC** Motor Exposed   [Download CAD data at www.toyorobot.com](http://www.toyorobot.com) Unit : mm

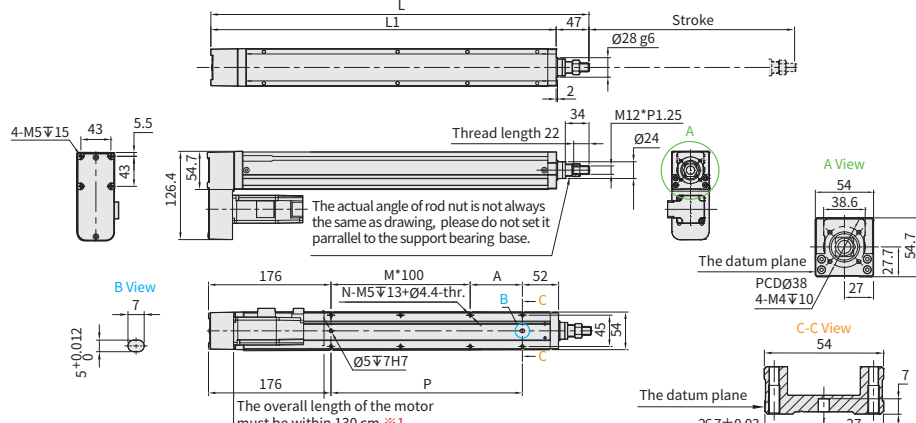



**K:** Body length (D View for fixed dimensions on motor side)  
Thread length 22  
The actual angle of rod nut is not always the same as drawing, please do not set it parallel to the support bearing base.

Stroke	50	100	150	200	250	300	350	400	450	500	550	600
Limit Stroke (±1)	66.5	116.5	166.5	216.5	266.5	316.5	366.5	416.5	466.5	516.5	566.5	616.5
L	319.5	369.5	419.5	469.5	519.5	569.5	619.5	669.5	719.5	769.5	819.5	869.5
L1	272.5	322.5	372.5	422.5	472.5	522.5	572.5	622.5	672.5	722.5	772.5	822.5
A	25	75	25	75	25	75	25	75	25	75	25	75
M	1	1	2	2	3	3	4	4	5	5	6	6
N	6	6	8	8	10	10	12	12	14	14	16	16
P	25	75	125	175	225	275	325	375	425	475	525	575
KG <sup>※1</sup>	2.08	2.22	2.35	2.54	2.82	2.93	2.95	3.18	3.29	3.38	3.58	3.71
K	215	265	315	365	415	465	515	565	615	665	715	765
Linear Speed mm/s	Lead 2	100										
	Lead 5	300										
	Lead 10	600										
	Lead 20	1200										
										292	250	
										583	500	
										1167	1000	

※1 KG refers to the weight with motor related accessories (excluding motor), not corresponding to K Type.

**BM** Motor Bottom Side   [Download CAD data at www.toyorobot.com](http://www.toyorobot.com) Unit : mm

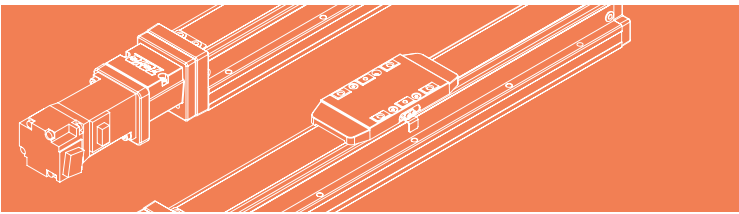


The actual angle of rod nut is not always the same as drawing, please do not set it parallel to the support bearing base.

The overall length of the motor must be within 130 cm.※1

Stroke	50	100	150	200	250	300	350	400	450	500	550	600
Limit Stroke (±1)	66.5	116.5	166.5	216.5	266.5	316.5	366.5	416.5	466.5	516.5	566.5	616.5
L	300	350	400	450	500	550	600	650	700	750	800	850
L1	253	303	353	403	453	503	553	603	653	703	753	803
A	25	75	25	75	25	75	25	75	25	75	25	75
M	0	0	1	1	2	2	3	3	4	4	5	5
N	4	4	6	6	8	8	10	10	12	12	14	14
P	25	75	125	175	225	275	325	375	425	475	525	575
KG <sup>※1</sup>	2	2.12	2.35	2.46	2.74	2.85	2.9	3.1	3.21	3.3	3.5	3.63
Linear Speed mm/s	Lead 2	100										
	Lead 5	300										
	Lead 10	600										
	Lead 20	1200										
										292	250	
										583	500	
										1167	1000	

※1 When motor with brake assembled on lower side, or the total length over than spec limit, it may not use standard pinhole. Please contact our sales department if you need more information & requirement.

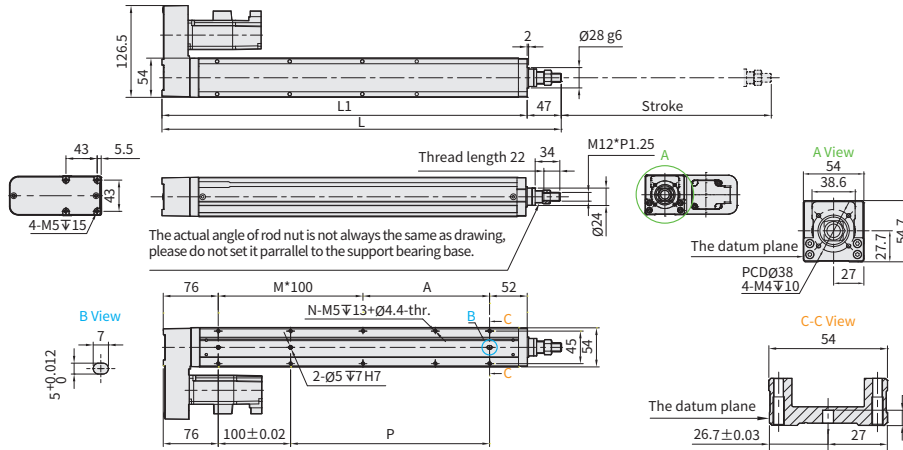


BR Motor Left Side



Download CAD data at [www.toyorobot.com](http://www.toyorobot.com)

Unit : mm



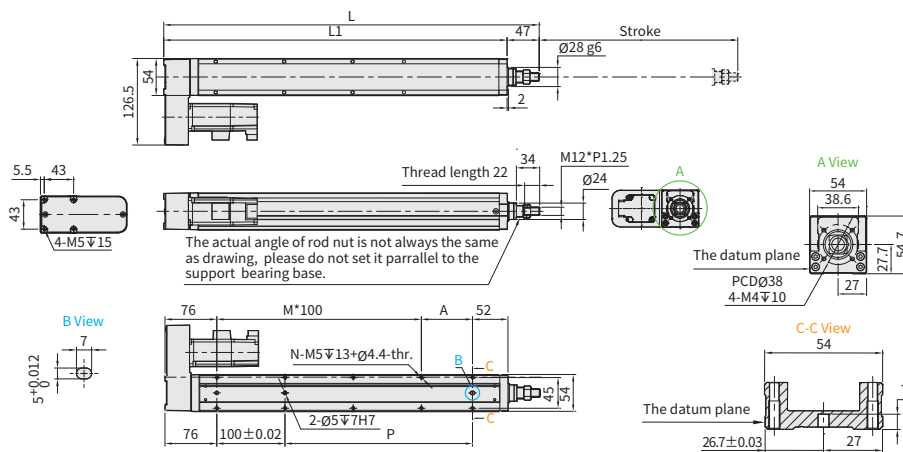
Stroke	50	100	150	200	250	300	350	400	450	500	550	600
Limit Stroke (±1)	66.5	116.5	166.5	216.5	266.5	316.5	366.5	416.5	466.5	516.5	566.5	616.5
L	300	350	400	450	500	550	600	650	700	750	800	850
L1	253	303	353	403	453	503	553	603	653	703	753	803
A	25	75	25	75	25	75	25	75	25	75	25	75
M	1	1	2	2	3	3	4	4	5	5	6	6
N	6	6	8	8	10	10	12	12	14	14	16	16
P	25	75	125	175	225	275	325	375	425	475	525	575
KG <sup>*)</sup>	2	2.12	2.35	2.46	2.74	2.85	2.9	3.1	3.21	3.3	3.5	3.63
Linear Speed mm/s	Lead 2	100										
	Lead 5	300										
	Lead 10	600										
	Lead 20	1200										
											292	250
											583	500
											1167	1000

BL Motor Right Side



Download CAD data at [www.toyorobot.com](http://www.toyorobot.com)

Unit : mm



Stroke	50	100	150	200	250	300	350	400	450	500	550	600
Limit Stroke (±1)	66.5	116.5	166.5	216.5	266.5	316.5	366.5	416.5	466.5	516.5	566.5	616.5
L	300	350	400	450	500	550	600	650	700	750	800	850
L1	253	303	353	403	453	503	553	603	653	703	753	803
A	25	75	25	75	25	75	25	75	25	75	25	75
M	1	1	2	2	3	3	4	4	5	5	6	6
N	6	6	8	8	10	10	12	12	14	14	16	16
P	25	75	125	175	225	275	325	375	425	475	525	575
KG <sup>*)</sup>	2	2.12	2.35	2.46	2.74	2.85	2.9	3.1	3.21	3.3	3.5	3.63
Linear Speed mm/s	Lead 2	100										
	Lead 5	300										
	Lead 10	600										
	Lead 20	1200										
											292	250
											583	500
											1167	1000

GTJ Series

GTJ4

GTJ5

GTJ8

GTJ12

# GTY8

▶ Integrated Linear Bearing

▶ Ball Screw Drive

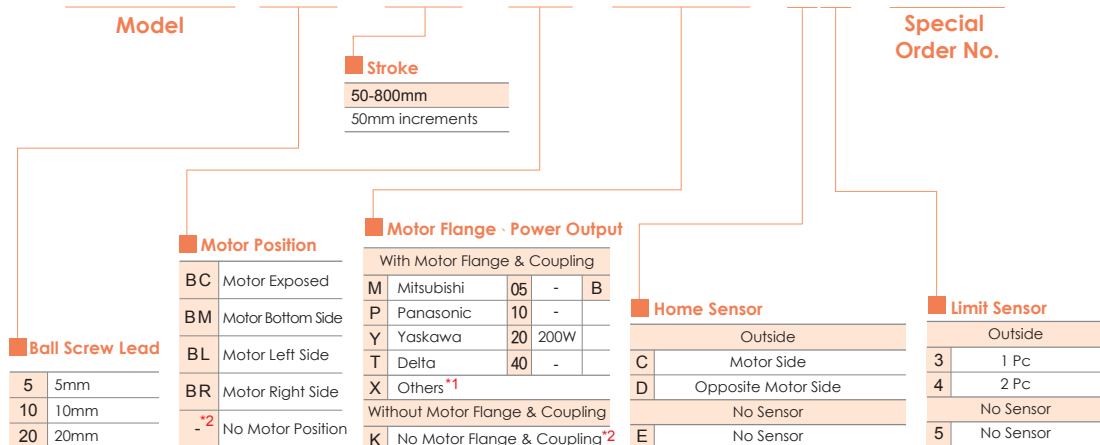


Please consult our company website for a detailed description on selection requirements and nominal life calculations.

The picture is just for the reference. Please check the the actual dimensions on the drawing.

## Ordering Method

# GTY8 - L10 - 100 - BC - X - C4 - 0001



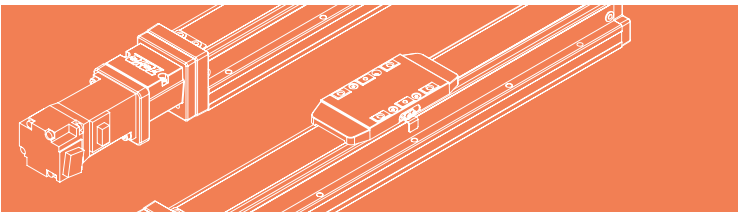
\*1 When choosing non-standard motor X, the motor spec must be provided and confirmed by TOYO for installation before the order is established.

\*2 When K is selected, the motor position need no description.

\*When the stroke is 50mm, the sensor installation has the following restrictions:

1.The home sensor and the limit sensor must be installed on different sides of the body.  
2.The sensor trigger device must be installed on both sides of the device.





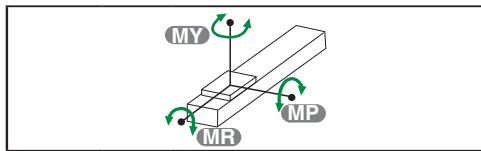
**Specification**

<b>Item</b>	<b>Ball screw</b>	Outer dia. & Precision grade		mm	Ø16 & C7		
		Lead		mm	5	10	20
		Maximum Rotating speed		rpm	3600	3600	3600
		Maximum linear speed <sup>※1</sup>		mm/s	300	600	1200
		Basic dynamic load rating Ca		N	8042	6300	4152
		Basic static load rating Coa		N	15088	11596	7439
		Load factor			1.2	1.35	1.35
	<b>Linear Guide</b>	Dynamic horizontal	100 Km of travel	kgf	1899		
			1000 Km of travel	kgf	881		
			10000 Km of travel	kgf	409		
		Static horizontal		kg	3490		
	<b>Fixed bearing</b>	Basic dynamic load rating Cr		N	2600		
		Static load rating Cor		N	4750		
	<b>Common Spec</b>	Repeatability		mm	±0.01		
		Start torque		N.cm	10		
		Allowable input torque		N.m	2.2		
		Maximum acceleration		m/s <sup>2</sup>	10		
		Friction coefficient			0.03		
		Stroke interval		mm	50-800 (50 increments)		
		Ambient temperature <sup>※2</sup>		°C	0~+40		

※1 Estimated max speed and max payload when using a standard 100W servo motor.  
( Confirm max speed and payload at the same time. )

※2 Customized temperature:-20°C~ 80°C. special grease requirement need to follow customization process.

**Static Loading Moment**

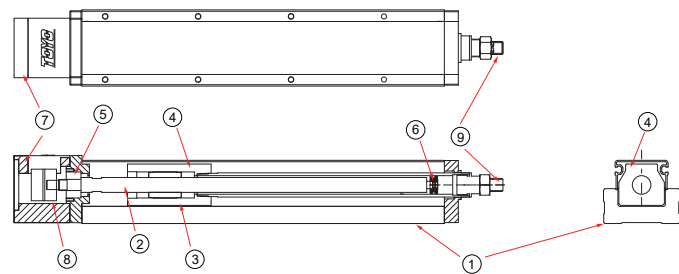


<b>MY</b>	N.m	318
<b>MP</b>	N.m	318
<b>MR</b>	N.m	626

**Dynamic Loading Moment**

Travel	km	100	1000	10000
<b>MY</b>	N.m	121.6	56.5	26.2
<b>MP</b>	N.m	121.6	56.5	26.2
<b>MR</b>	N.m	201.9	93.7	43.5

**Parts list**



No.	Part Description	Material
1	Housing	AL6463
2	Ball Screw	S45C
3	Ball Screw Nut	S45C
4	Steel Band	SUS430
5	Carriage	SNCM21H
6	Ball Bearing Dual Arrangement	SUJ2
7	Ball Bearing	SUJ2
8	Fixed Support Block-Inline Motor Mounting Bracket	AL6061
9	Coupling- Clamping	AL6061

GT4 Series

GT4

GT5



**GT8**

GT12

# GTY8

▶ Integrated Linear Bearing

▶ Ball Screw Drive

**BC** Motor Exposed   [Download CAD data at www.toyorobot.com](http://www.toyorobot.com) Unit : mm

**D VIEW**

**K: Body length (D View for fixed dimensions on motor side)**



The actual angle of rod nut is not always the same as drawing, please do not set it parallel to the support bearing base.

**B View**

**C-C View**

Stroke	50	100	150	200	250	300	350	400	450	500	550	600	650	700	750	800		
Limit Stroke (±1)	70	120	170	220	270	320	370	420	470	520	570	620	670	720	770	820		
L	376	426	476	526	576	626	676	726	776	826	876	926	976	1026	1076	1126		
L1	328	378	428	478	528	578	628	678	728	778	828	878	928	978	1028	1078		
A	50	100	50	100	50	100	50	100	50	100	50	100	50	100	50	100		
M	1	1	2	2	3	3	4	4	5	5	6	6	7	7	8	8		
N	6	6	8	8	10	10	12	12	14	14	16	16	18	18	20	20		
P	50	100	150	200	250	300	350	400	450	500	550	600	650	700	750	800		
KG <sup>※1</sup>	4.06	4.44	4.85	5.15	5.5	5.83	6.15	6.5	6.79	7.12	7.56	7.86	8.27	8.56	8.8	9.11		
Linear Speed mm/s	Lead 5	300										292	250	225	200			
	Lead 10	600										583	500	450	400			
	Lead 20	1200										1167	1000	900	800			

※1 KG refers to the weight with motor related accessories (excluding motor), not corresponding to K Type.

**BM** Motor Bottom Side   [Download CAD data at www.toyorobot.com](http://www.toyorobot.com) Unit : mm

**B View**

**K: Body length (D View for fixed dimensions on motor side)**

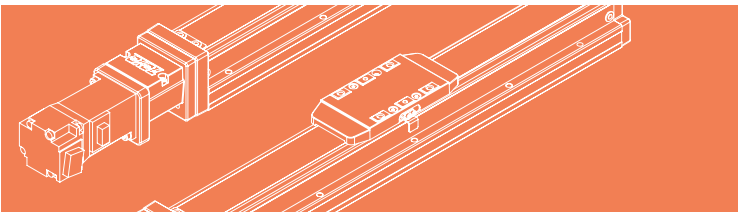
The actual angle of rod nut is not always the same as drawing, please do not set it parallel to the support bearing base.

The overall length of the motor must be within 121 cm. ※1

**C-C View**

Stroke	50	100	150	200	250	300	350	400	450	500	550	600	650	700	750	800		
Limit Stroke (±1)	70	120	170	220	270	320	370	420	470	520	570	620	670	720	770	820		
L	359	409	459	509	559	609	659	709	759	809	859	909	959	1009	1059	1109		
L1	311	361	411	461	511	561	611	661	711	761	811	861	911	961	1011	1061		
A	50	100	50	100	50	100	50	100	50	100	50	100	50	100	50	100		
M	0	0	1	1	2	2	3	3	4	4	5	5	6	6	7	7		
N	4	4	6	6	8	8	10	10	12	12	14	14	16	16	18	18		
P	50	100	150	200	250	300	350	400	450	500	550	600	650	700	750	800		
KG <sup>※1</sup>	4.16	4.54	4.95	5.3	5.6	5.93	6.25	6.6	6.89	7.22	7.66	7.96	8.37	8.66	8.9	9.21		
Linear Speed mm/s	Lead 5	300										292	250	225	200			
	Lead 10	600										583	500	450	400			
	Lead 20	1200										1167	1000	900	800			

※1 When motor with brake assembled on lower side, or the total length over than spec limit, it may not use standard pinhole. Please contact our sales department if you need more information & requirement.

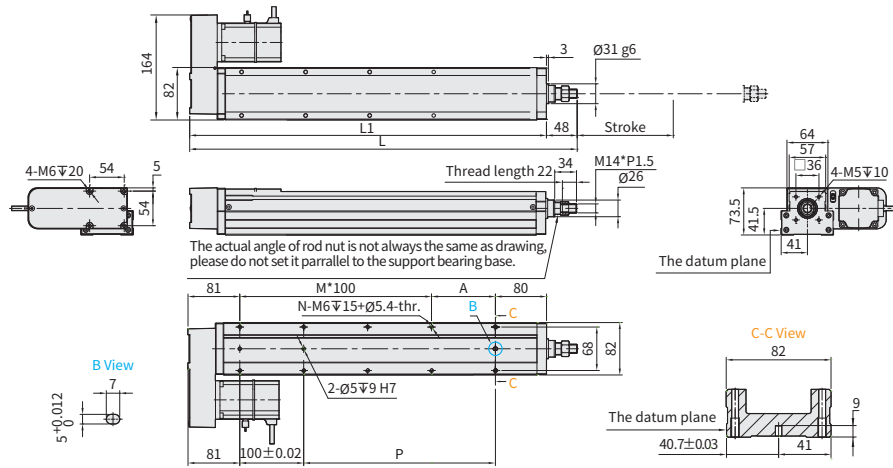


**BR** Motor Left Side



Download CAD data at [www.toyorobot.com](http://www.toyorobot.com)

Unit : mm



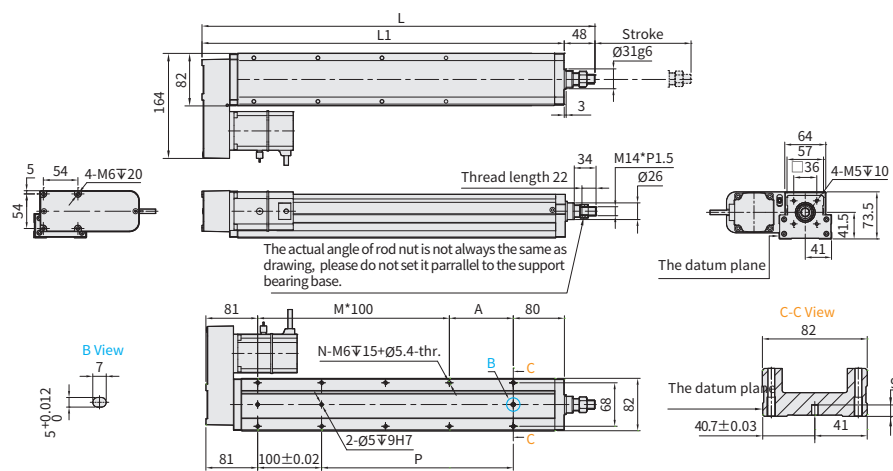
Stroke	50	100	150	200	250	300	350	400	450	500	550	600	650	700	750	800	
Limit Stroke (±1)	70	120	170	220	270	320	370	420	470	520	570	620	670	720	770	820	
L	359	409	459	509	559	609	659	709	759	809	859	909	959	1009	1059	1109	
L1	311	361	411	461	511	561	611	661	711	761	811	861	911	961	1011	1061	
A	50	100	50	100	50	100	50	100	50	100	50	100	50	100	50	100	
M	1	1	2	2	3	3	4	4	5	5	6	6	7	7	8	8	
N	6	6	8	8	10	10	12	12	14	14	16	16	18	18	20	20	
P	50	100	150	200	250	300	350	400	450	500	550	600	650	700	750	800	
KG <sup>*)</sup>	4.16	4.54	4.95	5.3	5.6	5.93	6.25	6.6	6.89	7.22	7.66	7.96	8.37	8.66	8.9	9.21	
Linear Speed mm/s	Lead 5											300					
	Lead 10											600					
	Lead 20											1200					
													292	250	225	200	
													583	500	450	400	
													1167	1000	900	800	

**BL** Motor Right Side



Download CAD data at [www.toyorobot.com](http://www.toyorobot.com)

Unit : mm



Stroke	50	100	150	200	250	300	350	400	450	500	550	600	650	700	750	800	
Limit Stroke (±1)	70	120	170	220	270	320	370	420	470	520	570	620	670	720	770	820	
L	359	409	459	509	559	609	659	709	759	809	859	909	959	1009	1059	1109	
L1	311	361	411	461	511	561	611	661	711	761	811	861	911	961	1011	1061	
A	50	100	50	100	50	100	50	100	50	100	50	100	50	100	50	100	
M	1	1	2	2	3	3	4	4	5	5	6	6	7	7	8	8	
N	6	6	8	8	10	10	12	12	14	14	16	16	18	18	20	20	
P	50	100	150	200	250	300	350	400	450	500	550	600	650	700	750	800	
KG <sup>*)</sup>	4.16	4.54	4.95	5.3	5.6	5.93	6.25	6.6	6.89	7.22	7.66	7.96	8.37	8.66	8.9	9.21	
Linear Speed mm/s	Lead 5											300					
	Lead 10											600					
	Lead 20											1200					
													292	250	225	200	
													583	500	450	400	
													1167	1000	900	800	

# GTY8

▶ Integrated Linear Bearing

▶ Ball Screw Drive

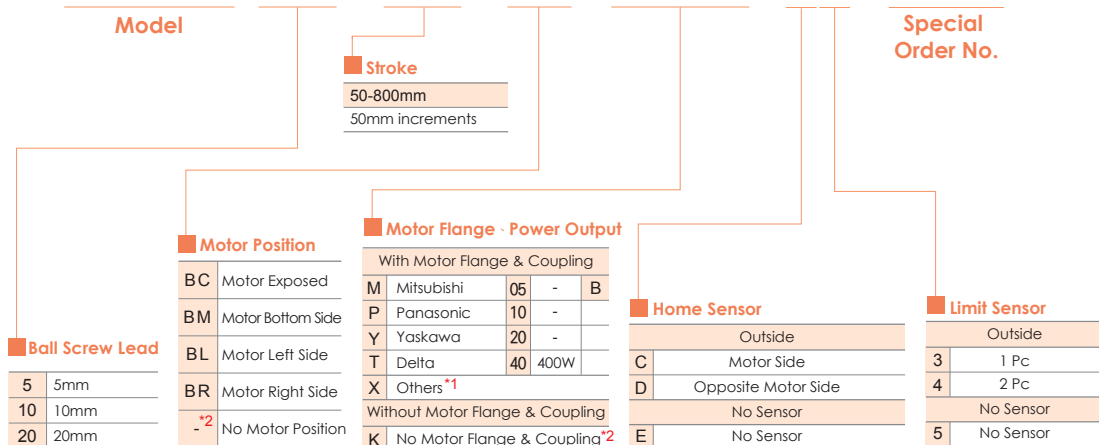


Please consult our company website for a detailed description on selection requirements and nominal life calculations.

The picture is just for the reference. Please check the the actual dimensions on the drawing.

## Ordering Method

# GTY8 - L10 - 100 - BC - X - C4 - 0001

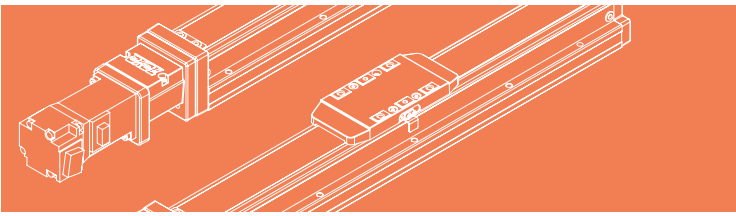


\*1 When choosing non-standard motor X, the motor spec must be provided and confirmed by TOYO for installation before the order is established.

\*2 When K is selected, the motor position need no description.

\*When the stroke is 50mm, the sensor installation has the following restrictions:

1.The home sensor and the limit sensor must be installed on different sides of the body.  
2.The sensor trigger device must be installed on both sides of the device.



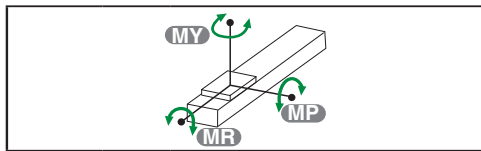
**Specification**

<b>Item</b>	<b>Ball screw</b>	Outer dia. & Precision grade		mm	Ø16 & C7		
		Lead		mm	5	10	20
		Maximum Rotating speed		rpm	3600	3600	3600
		Maximum linear speed <sup>※1</sup>		mm/s	300	600	1200
		Basic dynamic load rating Ca		N	8042	6300	4152
		Basic static load rating Coa		N	15088	11596	7439
		Load factor			1.2	1.35	1.35
	<b>Linear Guide</b>	Dynamic horizontal	100 Km of travel	kgf	1899		
			1000 Km of travel	kgf	881		
			10000 Km of travel	kgf	409		
		Static horizontal		kg	3490		
	<b>Fixed bearing</b>	Basic dynamic load rating Cr		N	2600		
		Static load rating Cor		N	4750		
	<b>Common Spec</b>	Repeatability		mm	±0.01		
		Start torque		N.cm	10		
		Allowable input torque		N.m	2.2		
		Maximum acceleration		m/s <sup>2</sup>	10		
		Friction coefficient			0.03		
		Stroke interval		mm	50-800 (50 increments)		
		Ambient temperature <sup>※2</sup>		°C	0~+40		

※1 Estimated max speed and max payload when using a standard 100W servo motor.  
( Confirm max speed and payload at the same time. )

※2 Customized temperature:-20°C~ 80°C. special grease requirement need to follow customization process.

**Static Loading Moment**

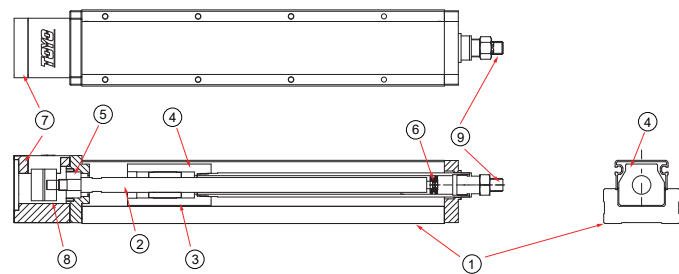


<b>MY</b>	N.m	318
<b>MP</b>	N.m	318
<b>MR</b>	N.m	626

**Dynamic Loading Moment**

Travel	km	100	1000	10000
<b>MY</b>	N.m	121.6	56.5	26.2
<b>MP</b>	N.m	121.6	56.5	26.2
<b>MR</b>	N.m	201.9	93.7	43.5

**Parts list**



No.	Part Description	Material
1	Housing	AL6463
2	Ball Screw	S45C
3	Ball Screw Nut	S45C
4	Steel Band	SUS430
5	Carriage	SNCM21H
6	Ball Bearing Dual Arrangement	SUJ2
7	Ball Bearing	SUJ2
8	Fixed Support Block-Inline Motor Mounting Bracket	AL6061
9	Coupling- Clamping	AL6061

GT4 Series

GT4

GT5



GT8

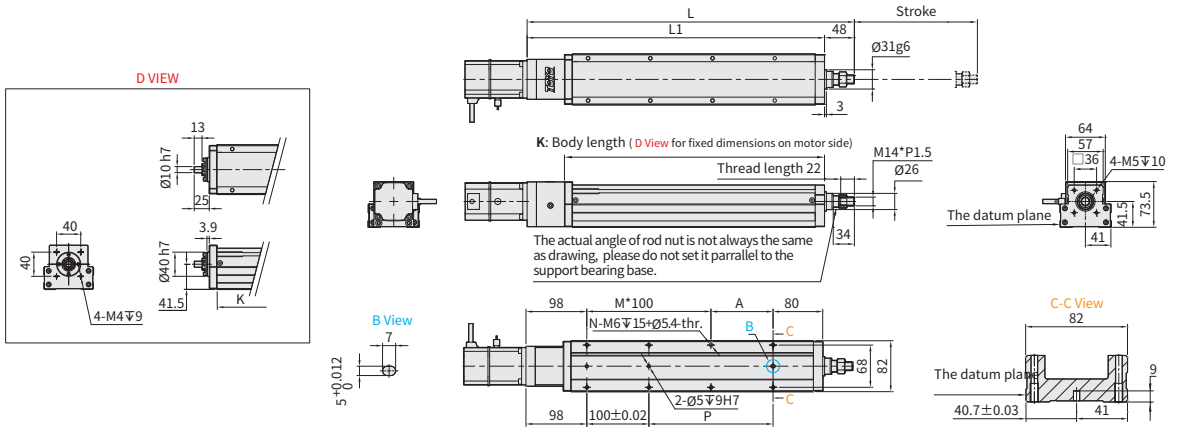
GT12

# GTY8

▶ Integrated Linear Bearing



▶ Ball Screw Drive

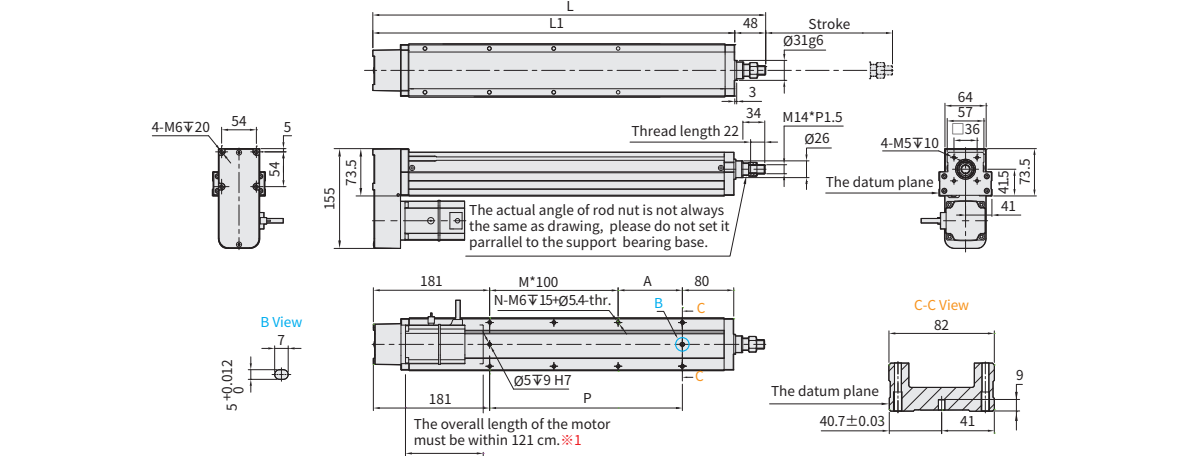
**BC** Motor Exposed   [Download CAD data at www.toyorobot.com](http://www.toyorobot.com) Unit : mm



Stroke	50	100	150	200	250	300	350	400	450	500	550	600	650	700	750	800		
Limit Stroke (±1)	70	120	170	220	270	320	370	420	470	520	570	620	670	720	770	820		
L	376	426	476	526	576	626	676	726	776	826	876	926	976	1026	1076	1126		
L1	328	378	428	478	528	578	628	678	728	778	828	878	928	978	1028	1078		
A	50	100	50	100	50	100	50	100	50	100	50	100	50	100	50	100		
M	1	1	2	2	3	3	4	4	5	5	6	6	7	7	8	8		
N	6	6	8	8	10	10	12	12	14	14	16	16	18	18	20	20		
P	50	100	150	200	250	300	350	400	450	500	550	600	650	700	750	800		
KG <sup>※1</sup>	4.06	4.44	4.85	5.15	5.5	5.83	6.15	6.5	6.79	7.12	7.56	7.86	8.27	8.56	8.8	9.11		
K	268	318	368	418	468	518	568	618	668	718	768	818	868	918	968	1018		
Linear Speed mm/s	Lead 5	300										292	250	225	200			
	Lead 10	600										583	500	450	400			
	Lead 20	1200										1167	1000	900	800			

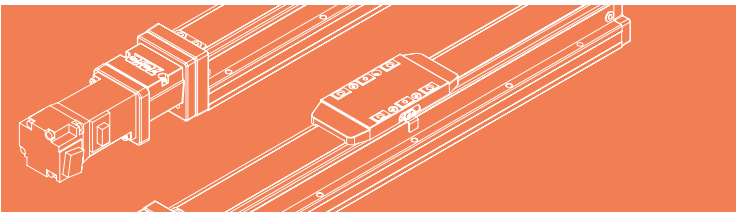
※1 KG refers to the weight with motor related accessories (excluding motor), not corresponding to K Type.

**BM** Motor Bottom Side   [Download CAD data at www.toyorobot.com](http://www.toyorobot.com) Unit : mm



Stroke	50	100	150	200	250	300	350	400	450	500	550	600	650	700	750	800		
Limit Stroke (±1)	70	120	170	220	270	320	370	420	470	520	570	620	670	720	770	820		
L	359	409	459	509	559	609	659	709	759	809	859	909	959	1009	1059	1109		
L1	311	361	411	461	511	561	611	661	711	761	811	861	911	961	1011	1061		
A	50	100	50	100	50	100	50	100	50	100	50	100	50	100	50	100		
M	0	0	1	1	2	2	3	3	4	4	5	5	6	6	7	7		
N	4	4	6	6	8	8	10	10	12	12	14	14	16	16	18	18		
P	50	100	150	200	250	300	350	400	450	500	550	600	650	700	750	800		
KG <sup>※1</sup>	4.16	4.54	4.95	5.3	5.6	5.93	6.25	6.6	6.89	7.22	7.66	7.96	8.37	8.66	8.9	9.21		
Linear Speed mm/s	Lead 5	300										292	250	225	200			
	Lead 10	600										583	500	450	400			
	Lead 20	1200										1167	1000	900	800			

※1 When motor with brake assembled on lower side, or the total length over than spec limit, it may not use standard pinhole. Please contact our sales department if you need more information & requirement.

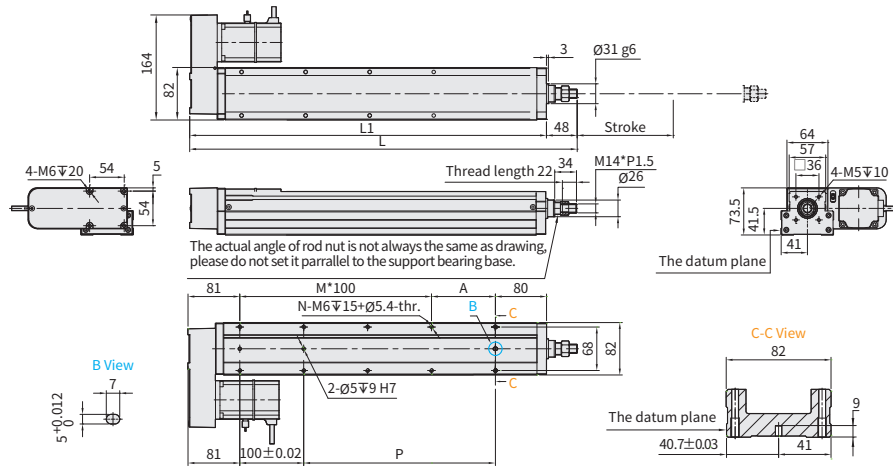


**BR** Motor Left Side



Download CAD data at [www.toyorobot.com](http://www.toyorobot.com)

Unit : mm



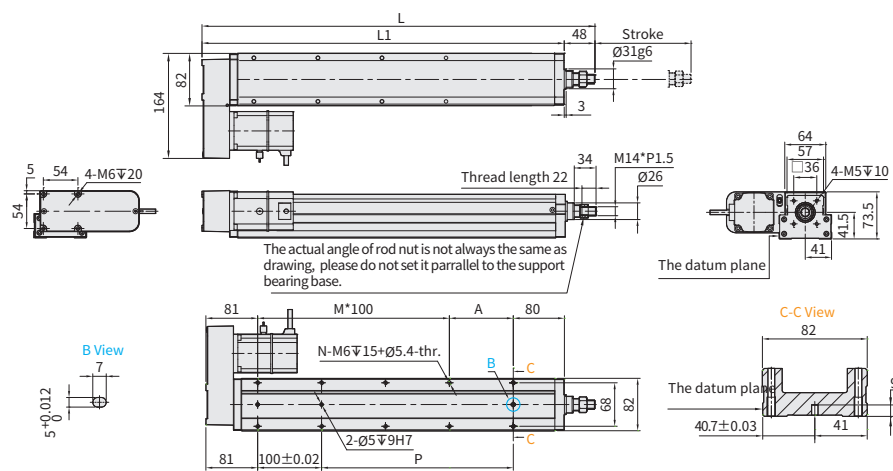
Stroke	50	100	150	200	250	300	350	400	450	500	550	600	650	700	750	800				
Limit Stroke (±1)	70	120	170	220	270	320	370	420	470	520	570	620	670	720	770	820				
L	359	409	459	509	559	609	659	709	759	809	859	909	959	1009	1059	1109				
L1	311	361	411	461	511	561	611	661	711	761	811	861	911	961	1011	1061				
A	50	100	50	100	50	100	50	100	50	100	50	100	50	100	50	100				
M	1	1	2	2	3	3	4	4	5	5	6	6	7	7	8	8				
N	6	6	8	8	10	10	12	12	14	14	16	16	18	18	20	20				
P	50	100	150	200	250	300	350	400	450	500	550	600	650	700	750	800				
KG <sup>※1</sup>	4.16	4.54	4.95	5.3	5.6	5.93	6.25	6.6	6.89	7.22	7.66	7.96	8.37	8.66	8.9	9.21				
Linear Speed mm/s	Lead 5											300								
	Lead 10											600			292	250	225	200		
	Lead 20											1200			583	500	450	400		
																	1167	1000	900	800

**BL** Motor Right Side



Download CAD data at [www.toyorobot.com](http://www.toyorobot.com)

Unit : mm



Stroke	50	100	150	200	250	300	350	400	450	500	550	600	650	700	750	800				
Limit Stroke (±1)	70	120	170	220	270	320	370	420	470	520	570	620	670	720	770	820				
L	359	409	459	509	559	609	659	709	759	809	859	909	959	1009	1059	1109				
L1	311	361	411	461	511	561	611	661	711	761	811	861	911	961	1011	1061				
A	50	100	50	100	50	100	50	100	50	100	50	100	50	100	50	100				
M	1	1	2	2	3	3	4	4	5	5	6	6	7	7	8	8				
N	6	6	8	8	10	10	12	12	14	14	16	16	18	18	20	20				
P	50	100	150	200	250	300	350	400	450	500	550	600	650	700	750	800				
KG <sup>※1</sup>	4.16	4.54	4.95	5.3	5.6	5.93	6.25	6.6	6.89	7.22	7.66	7.96	8.37	8.66	8.9	9.21				
Linear Speed mm/s	Lead 5											300								
	Lead 10											600			292	250	225	200		
	Lead 20											1200			583	500	450	400		
																	1167	1000	900	800

# GTY12

▶ Integrated Linear Bearing

▶ Ball Screw Drive

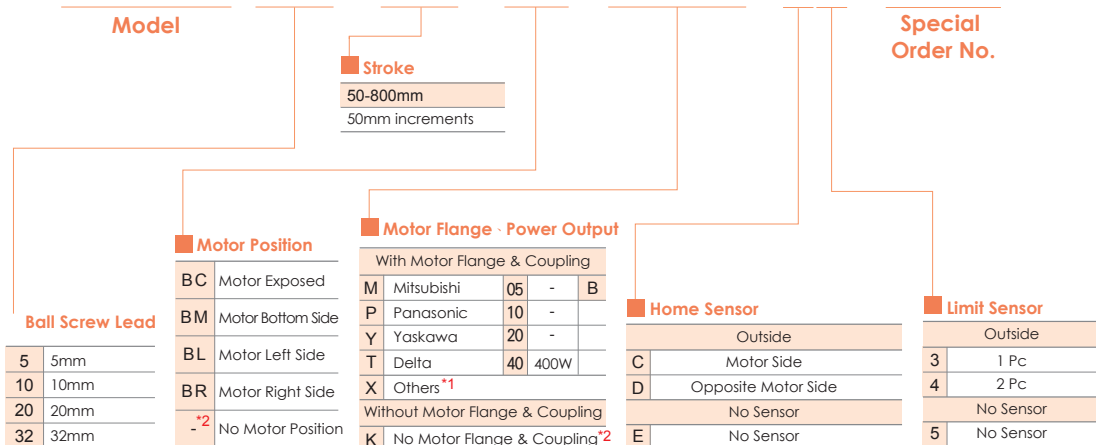


Please consult our company website for a detailed description on selection requirements and nominal life calculations.

The picture is just for the reference. Please check the the actual dimensions on the drawing.

## Ordering Method

### GTY12- L5 - 100 - BC - X - C4 - 0001



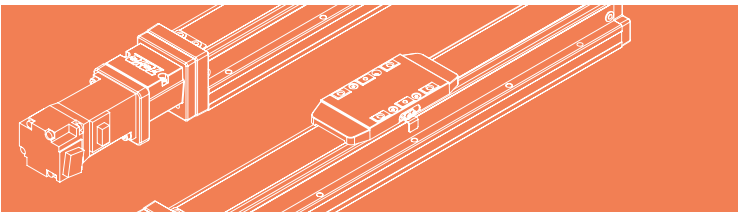
\*1 When choosing non-standard motor X, the motor spec must be provided and confirmed by TOYO for installation before the order is established.

\*2 When K is selected, the motor position need no description.

\*When the stroke is 50mm, the sensor installation has the following restrictions:

1.The home sensor and the limit sensor must be installed on different sides of the body.  
2.The sensor trigger device must be installed on both sides of the device.



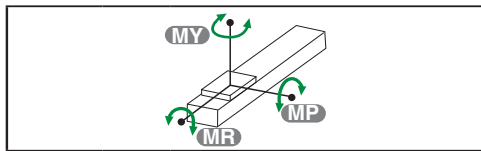


Specification							
Ball screw	Outer dia. & Precision grade	mm	Ø16 & C7				
	Lead	mm	5	10	20	32	
	Maximum Rotating speed	rpm	3600	3600	3600	3600	
	Maximum linear speed <sup>※1</sup>	mm/s	300	600	1200	1920	
	Basic dynamic load rating Ca	N	11570	6300	4152	7326	
	Basic static load rating Coa	N	23030	11596	7439	14157	
	Load factor		1.2	1.35	1.35	1.75	
Linear Guide	Dynamic horizontal	100 Km of travel	kgf	5639			
		1000 Km of travel	kgf	2618			
		10000 Km of travel	kgf	1215			
	Static horizontal	kg	9696				
Fixed bearing	Basic dynamic load rating Cr	N	2600				
	Static load rating Cor	N	4750				
Common Spec	Repeatability	mm	±0.01				
	Start torque	N.cm	10				
	Allowable input torque	N.m	3.1				
	Maximum acceleration	m/s <sup>2</sup>	10				
	Friction coefficient		0.03				
	Stroke (increments)	mm	50-1250 (50 increments)				
	Ambient temperature <sup>※2</sup>	°C	0~+40				

※1 Estimated max speed and max payload when using a standard 100W servo motor.  
( Confirm max speed and payload at the same time. )

※2 Customized temperature:-20°C- 80°C. special grease requirement need to follow customization process.

**Static Loading Moment**

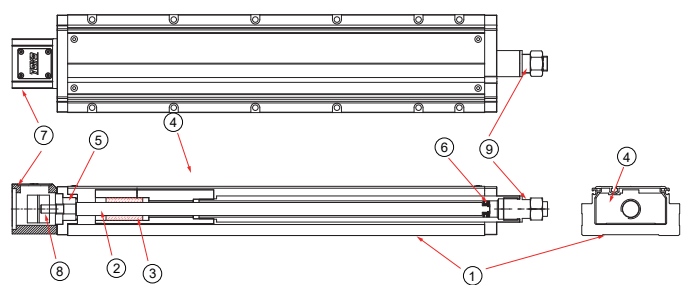


<b>MY</b>	N.m	606
<b>MP</b>	N.m	606
<b>MR</b>	N.m	1168

**Dynamic Loading Moment**

Travel	km	100	1000	10000
<b>MY</b>	N.m	602.1	279.5	129.7
<b>MP</b>	N.m	602.1	29.5	129.7
<b>MR</b>	N.m	1037.0	481.3	233.4

**Parts list**



No.	Part Description	Material
1	Housing	AL6463
2	Ball Screw	S45C
3	Ball Screw Nut	S45C
4	Steel Band	SUS430
5	Carriage	SNM21H
6	Ball Bearing Dual Arrangement	SUJ2
7	Ball Bearing	SUJ2
8	Fixed Support Block-Inline Motor Mounting Bracket	AL6061
9	Coupling- Clamping	AL6061

GT<sub>Y</sub> Series

GT<sub>Y</sub>4

GT<sub>Y</sub>5



GT<sub>Y</sub>8

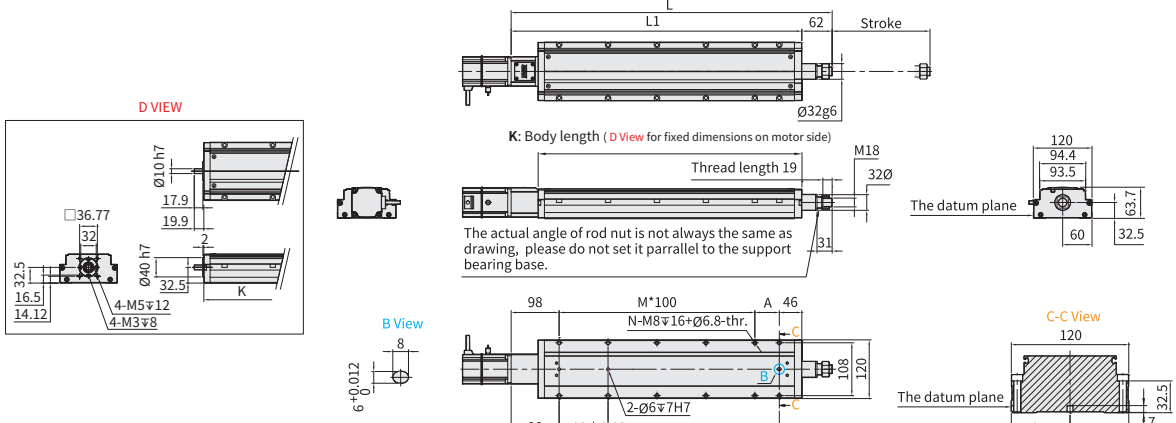
GT<sub>Y</sub>12

# GTY12

▶ Integrated Linear Bearing

▶ Ball Screw Drive

**BC** Motor Exposed   [Download CAD data at www.toyorobot.com](http://www.toyorobot.com) Unit : mm





**D VIEW**

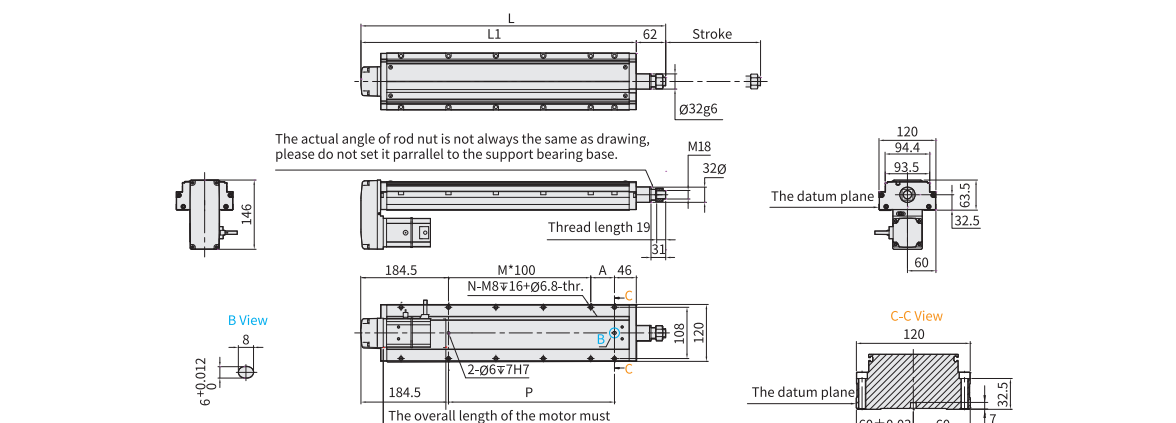
**K: Body length (D View for fixed dimensions on motor side)**

The actual angle of rod nut is not always the same as drawing, please do not set it parallel to the support bearing base.

Stroke	50	100	150	200	250	300	350	400	450	500	550	600	650	700	750	800	
Limit Stroke (±1)	58.5	108.5	158.5	208.5	258.5	308.5	358.5	408.5	458.5	508.5	558.5	608.5	658.5	708.5	758.5	808.5	
L	406	456	506	556	606	656	706	756	806	856	906	956	1006	1056	1106	1156	
L1	344	394	444	494	544	594	644	694	744	794	844	894	944	994	1044	1094	
A	100	50	100	50	100	50	100	50	100	50	100	50	100	50	100	50	
M	1	2	2	3	3	4	4	5	5	6	6	7	7	8	8	9	
N	6	8	8	10	10	12	12	14	14	16	16	18	18	20	20	22	
P	100	150	200	250	300	350	400	450	500	550	600	650	700	750	800	850	
KG <sup>※1</sup>	4.86	5.36	5.86	6.36	6.86	7.36	7.86	8.36	8.86	9.36	9.86	10.36	10.86	11.36	11.86	12.36	
K	289	339	389	439	489	539	589	639	689	739	789	839	889	939	989	1039	
Linear Speed mm/s	Lead 5																250
	Lead 10																500
	Lead 20																1000
	Lead 32																1600

※1 KG refers to the weight with motor related accessories (excluding motor), not corresponding to K Type.

**BM** Motor Bottom Side   [Download CAD data at www.toyorobot.com](http://www.toyorobot.com) Unit : mm

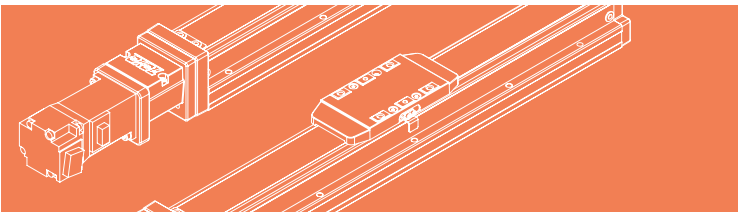


The actual angle of rod nut is not always the same as drawing, please do not set it parallel to the support bearing base.

The overall length of the motor must be within 132 cm. ※1

Stroke	50	100	150	200	250	300	350	400	450	500	550	600	650	700	750	800	
Limit Stroke (±1)	58.5	108.5	158.5	208.5	258.5	308.5	358.5	408.5	458.5	508.5	558.5	608.5	658.5	708.5	758.5	808.5	
L	392.5	442.5	492.5	542.5	592.5	642.5	692.5	742.5	792.5	842.5	892.5	942.5	992.5	1042.5	1092.5	1142.5	
L1	330.5	380.5	430.5	480.5	530.5	580.5	630.5	680.5	730.5	780.5	830.5	880.5	930.5	980.5	1030.5	1080.5	
A	100	50	100	50	100	50	100	50	100	50	100	50	100	50	100	50	
M	0	1	1	2	2	3	3	4	4	5	5	6	6	7	7	8	
N	4	6	6	8	8	10	10	12	12	14	14	16	16	18	18	20	
P	100	150	200	250	300	350	400	450	500	550	600	650	700	750	800	850	
KG <sup>※1</sup>	5.32	5.8	6.29	6.77	7.26	7.74	8.23	8.71	9.2	9.68	10.17	10.65	11.14	11.62	12.11	12.59	
Linear Speed mm/s	Lead 5																250
	Lead 10																500
	Lead 20																1000
	Lead 32																1600

※1 When motor with brake assembled on lower side, or the total length over than spec limit, it may not use standard pinhole. Please contact our sales department if you need more information & requirement.



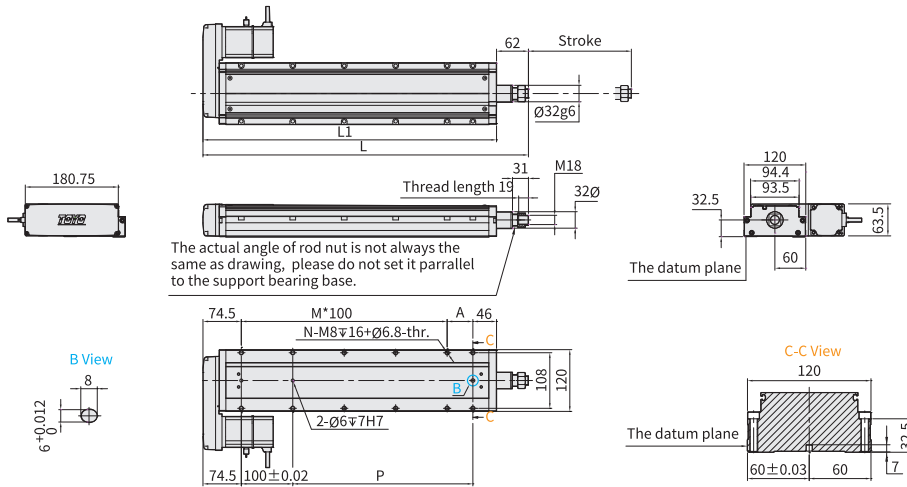
BR

Motor Left Side



Download CAD data at [www.toyorobot.com](http://www.toyorobot.com)

Unit : mm



Stroke	50	100	150	200	250	300	350	400	450	500	550	600	650	700	750	800	
Limit Stroke (±1)	58.5	108.5	158.5	208.5	258.5	308.5	358.5	408.5	458.5	508.5	558.5	608.5	658.5	708.5	758.5	808.5	
L	382.5	432.5	482.5	532.5	582.5	632.5	682.5	732.5	782.5	832.5	882.5	932.5	982.5	1032.5	1082.5	1132.5	
L1	320.5	370.5	420.5	470.5	520.5	570.5	620.5	670.5	720.5	770.5	820.5	870.5	920.5	970.5	1020.5	1070.5	
A	100	50	100	50	100	50	100	50	100	50	100	50	100	50	100	50	
M	1	2	2	3	3	4	4	5	5	6	6	7	7	8	8	9	
N	6	8	8	10	10	12	12	14	14	16	16	18	18	20	20	22	
P	100	150	200	250	300	350	400	450	500	550	600	650	700	750	800	850	
KG <sup>R1</sup>	5.32	5.8	6.29	6.77	7.26	7.74	8.23	8.71	9.2	9.68	10.17	10.65	11.14	11.62	12.11	12.59	
Linear Speed mm/s	Lead 5	300															250
	Lead 10	600															500
	Lead 20	1200															1000
	Lead 32	1920															1600

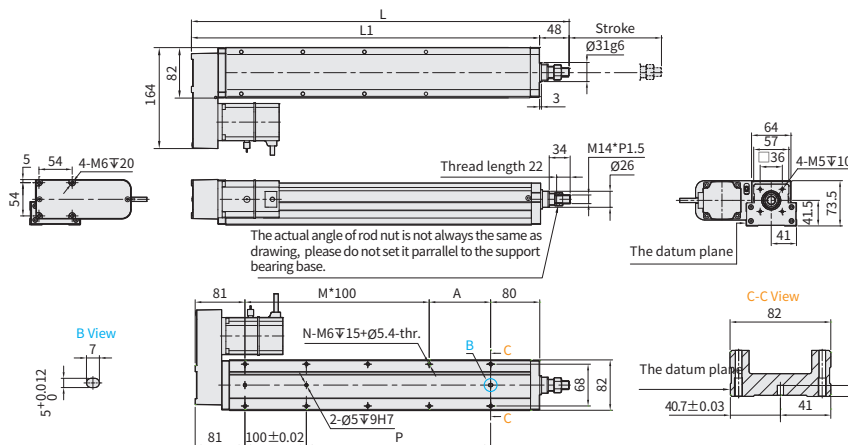
BL

Motor Right Side



Download CAD data at [www.toyorobot.com](http://www.toyorobot.com)

Unit : mm



Stroke	50	100	150	200	250	300	350	400	450	500	550	600	650	700	750	800	
Limit Stroke (±1)	58.5	108.5	158.5	208.5	258.5	308.5	358.5	408.5	458.5	508.5	558.5	608.5	658.5	708.5	758.5	808.5	
L	382.5	432.5	482.5	532.5	582.5	632.5	682.5	732.5	782.5	832.5	882.5	932.5	982.5	1032.5	1082.5	1132.5	
L1	320.5	370.5	420.5	470.5	520.5	570.5	620.5	670.5	720.5	770.5	820.5	870.5	920.5	970.5	1020.5	1070.5	
A	100	50	100	50	100	50	100	50	100	50	100	50	100	50	100	50	
M	1	2	2	3	3	4	4	5	5	6	6	7	7	8	8	9	
N	6	8	8	10	10	12	12	14	14	16	16	18	18	20	20	22	
P	100	150	200	250	300	350	400	450	500	550	600	650	700	750	800	850	
KG <sup>R1</sup>	5.32	5.8	6.29	6.77	7.26	7.74	8.23	8.71	9.2	9.68	10.17	10.65	11.14	11.62	12.11	12.59	
Linear Speed mm/s	Lead 5	300															250
	Lead 10	600															500
	Lead 20	1200															1000
	Lead 32	1920															1600

GTY Series

GTY4

GTY5

GTY8

GTY12