



Automation for a Changing World

Delta Multifunction Pressure Sensor DPB Series



www.deltaww.com

 **DELTA**
Smarter. Greener. Together.

Multifunction Pressure Sensor DPB Series

- ▶ Various unit conversion
- ▶ Various output modes
- ▶ 3 sets of color display
- ▶ 10 sets of output response time setup
- ▶ Fast zero reset
- ▶ Safety control function
- ▶ Easy code display



Various Unit Conversion

The DPB Series offers 6 kinds of globally adopted pressure units for measurement and display.



3-Color LCD Display (Green, Red, Orange)

The large LCD with a green, red and orange 3-color LCD display allows users to set the display color according to the ambient environment, such as when the pressure is within normal range or exceeds the allowed range. The display's color is orange when in parameter setup mode. This makes it easy for reading and reduces operation errors.



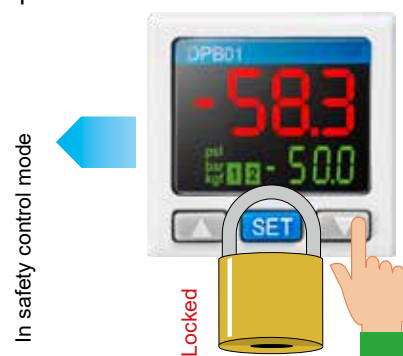
Color for upper / lower limit display (green / red)



Parameter set up (orange)

Safety Control Mode

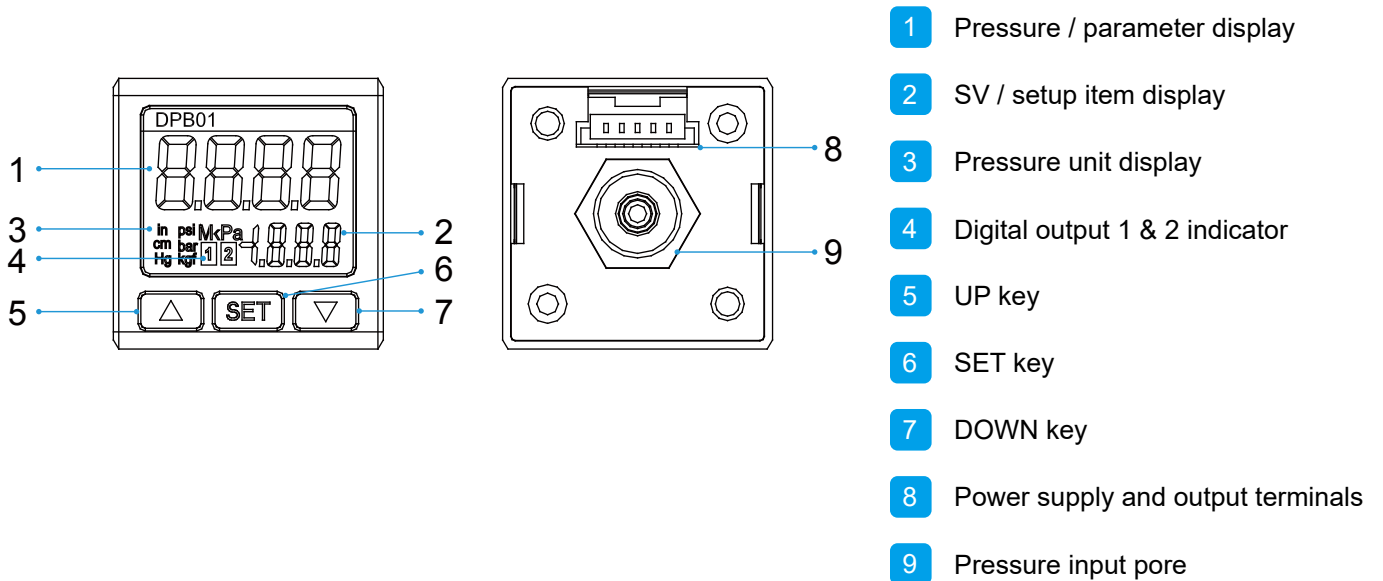
The safety control mode prevents operators from carelessly touching relevant parameters and affecting the operation and production of the equipment.



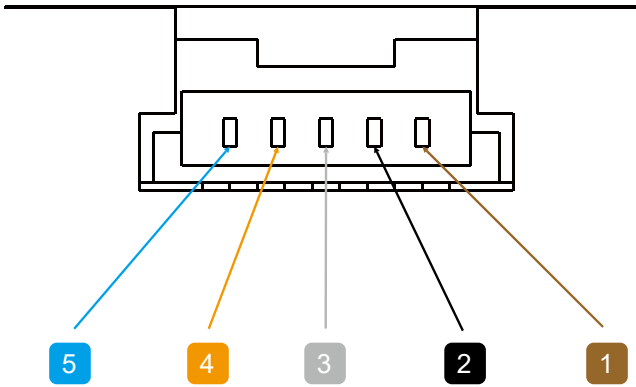
Specifications

Power Supply	Voltage range	12 ~ 24 V _{DC} ± 10% no isolation
	Power consumption	40 mA Max.
Pressure Measurement	Pressure type	Non-corrosive gas, gauge type
	Measurable range	DPB01: -100 kPa ~ 100 kPa; DPB10: -100 kPa ~ 1,000 kPa
	Max. durable pressure	DPB01: 200 kPa; DPB10: 1,500 kPa
	Accuracy	± 3% entire process
Display	Setup display	2-line LCD display, 4 digits for measured value and 3.5 digits for setup display
	Cycle	100ms, 250ms, 500ms, 1,000ms
Output	Number of outputs	Built-in 2 NPN or PNP transistor digital outputs
	Transistor output	Max. durable pressure 30V / 100mA, residual voltage 1.5V
	Response time	2ms, 4ms, 10ms, 30ms, 50ms, 100ms, 250ms, 500ms, 1,000ms, 5,000ms
Temperature	Ambient: 0°C ~ +50°C; Storage: -20°C ~ +65°C	
Ambient humidity	35% ~ 80% RH (non-condensing)	

Product Profile & Outline

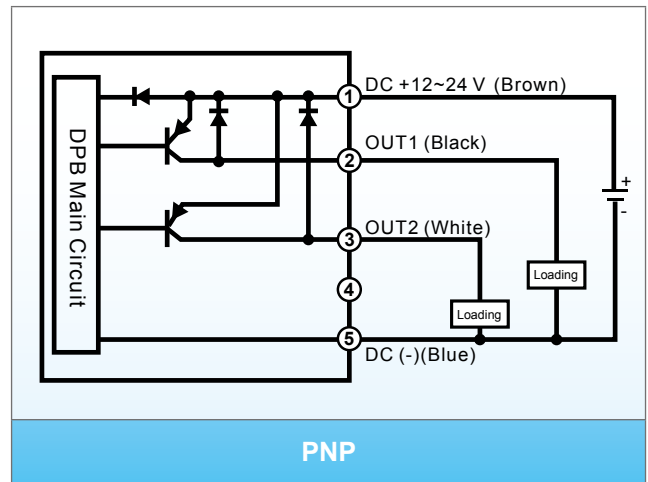
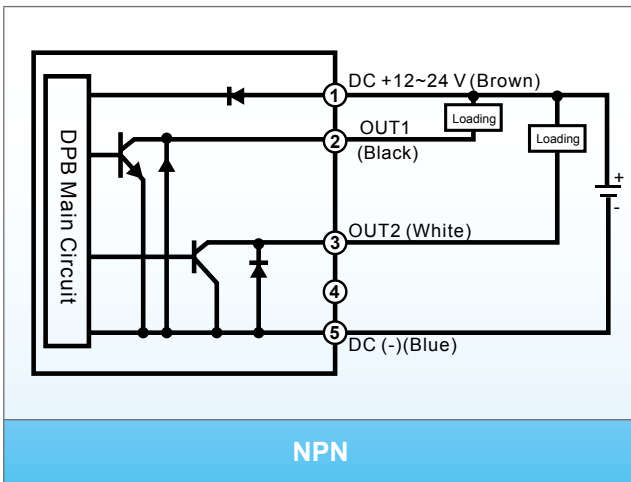


Terminals



- 1** Positive power supply input (Brown)
- 2** Digital output 1 signal (Black)
- 3** Digital output 2 signal (White)
- 4** No function (Orange)
- 5** Negative power supply input (Blue)

Various Output Control Modes



Ordering Information

DPB **0** **1** **N** - **P**

Range for Pressure Measurement

- 01** -100 kPa ~ 100 kPa
- 10** -100 kPa ~ 1,000 kPa

Product Name

DPB Series pressure sensor

Pressure Pore Type

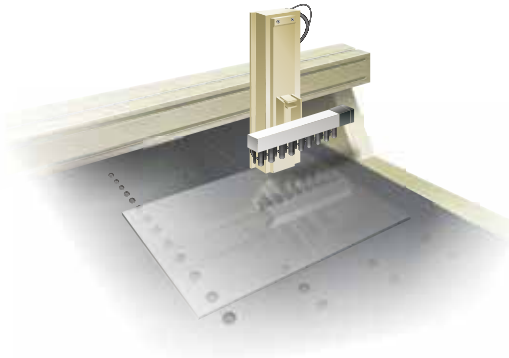
- P** Outer pore 1/8 PT, inner pore M5
- N** Outer pore 1/8 NPT, inner pore M5
- G** Outer pore 1/8 G, inner pore M5

Output Type

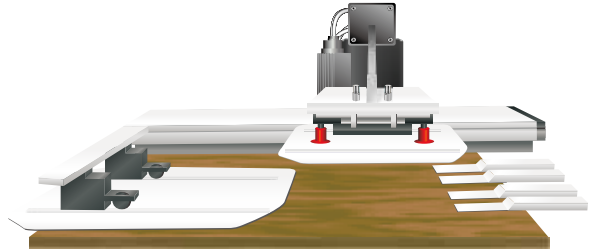
- N** NPN output
- P** PNP output

Applications

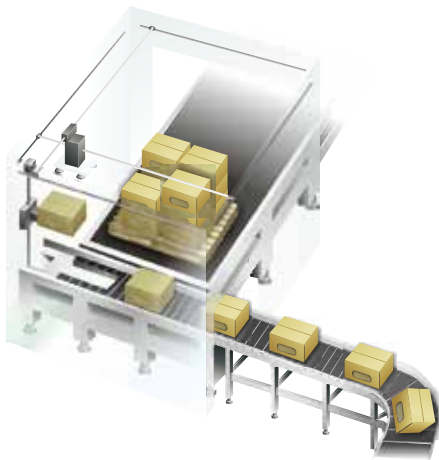
- **Mechanical Processing Industry**
Mechanical product processing and fixing



- **Solar Energy Industry**
Turnkey module lines suction



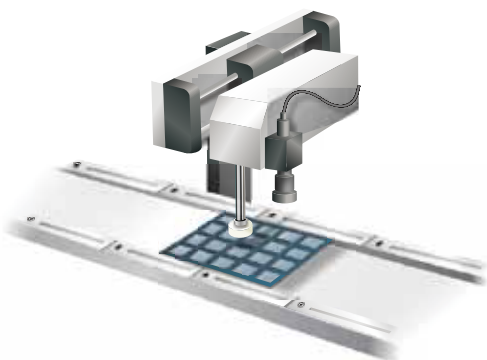
- **Food Packaging Industry**
Drinks, cans suction and packaging



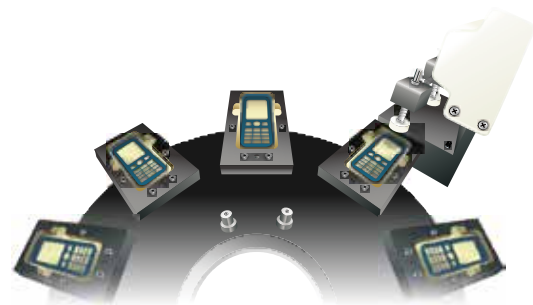
- **Semiconductor Industry**
Wafer suction and loading



- **Electronic Components Industry**
IC component suction and confirmation

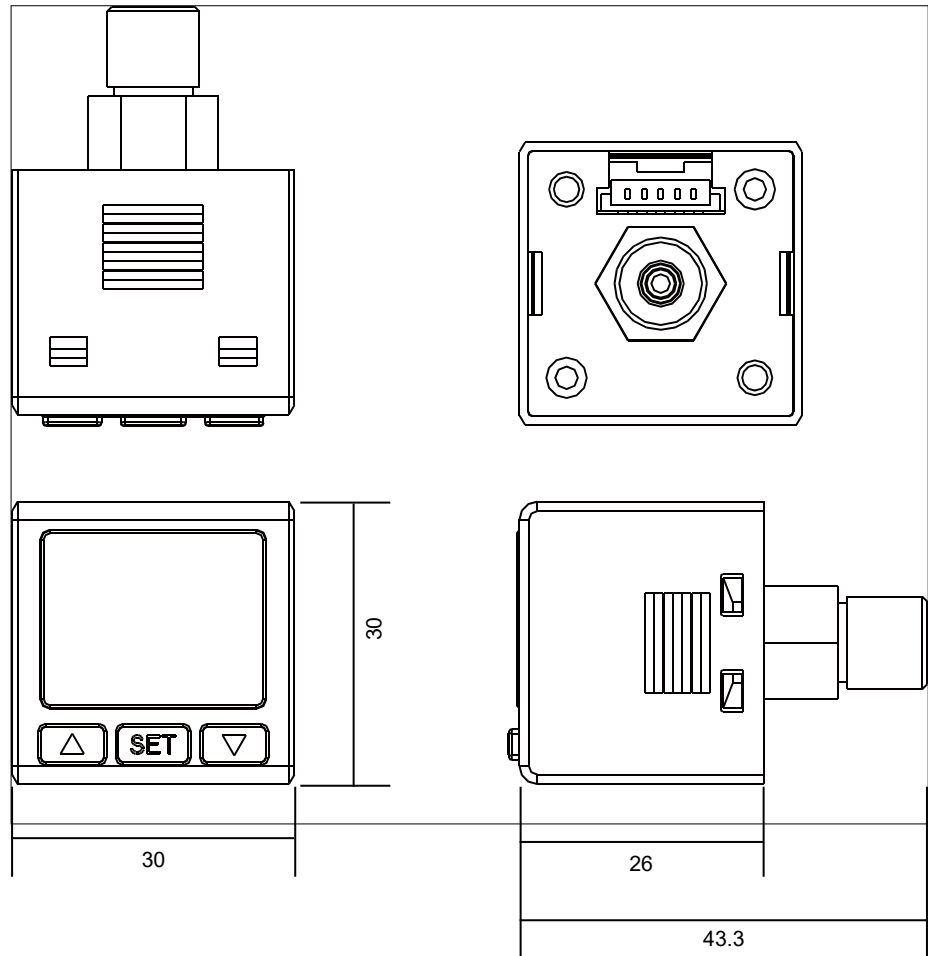


- **Automatic Assembly Industry**
Automation component assembly and confirmation



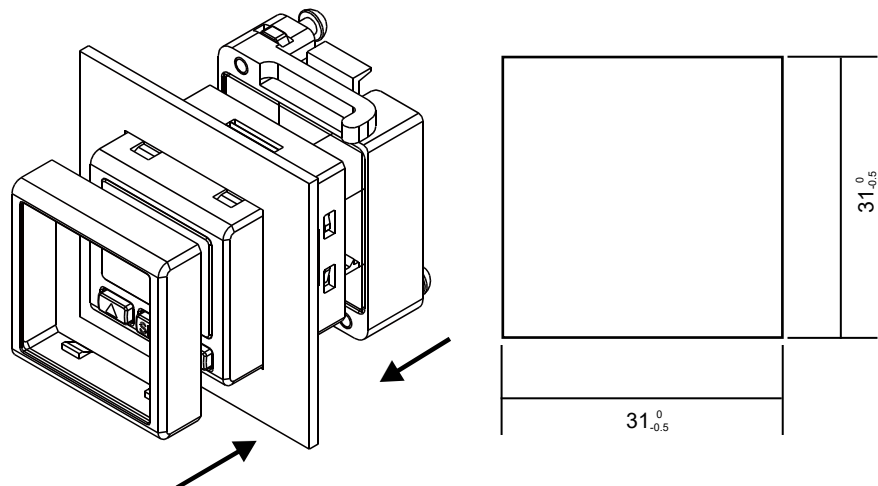


Dimensions (DPA / DPB) Unit : mm



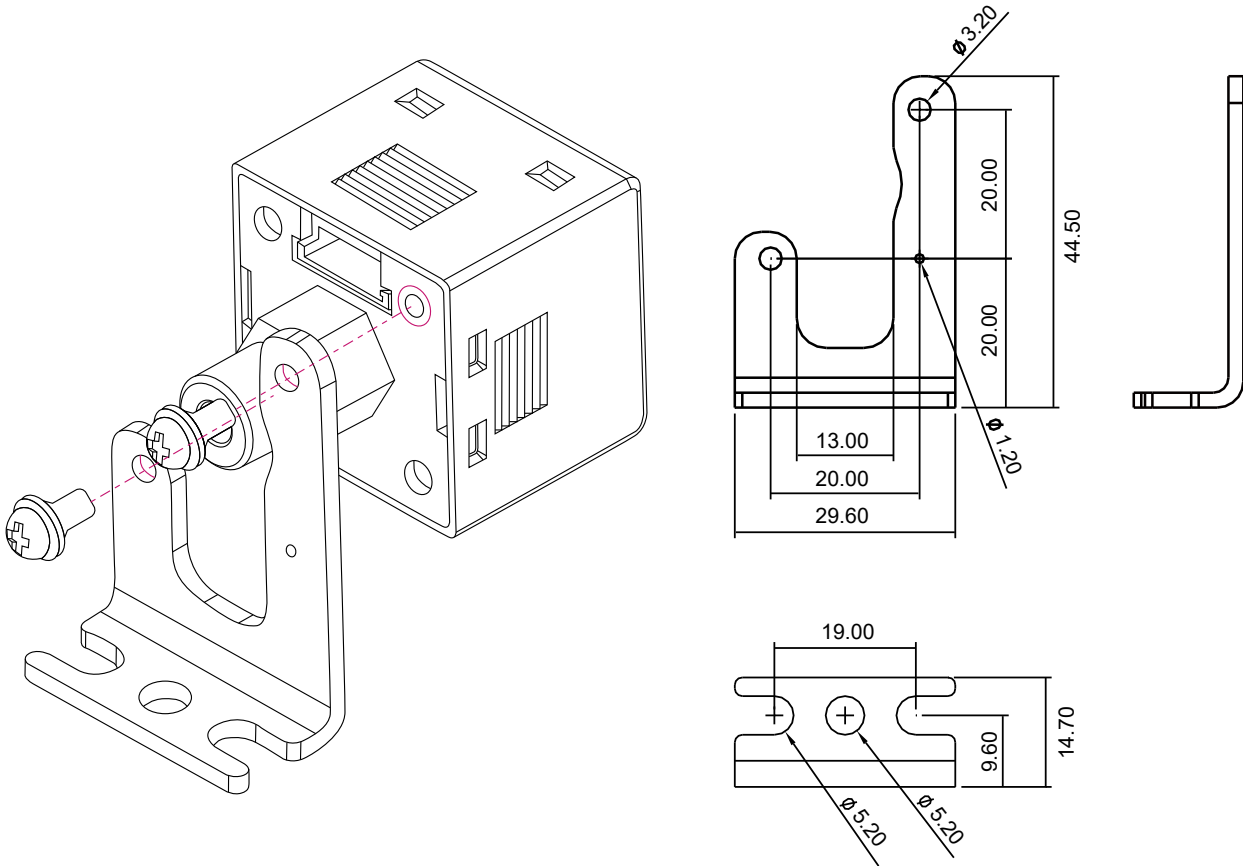
Panel Accessory (DPA / DPB) Unit : mm

Model: DPA-PFKit



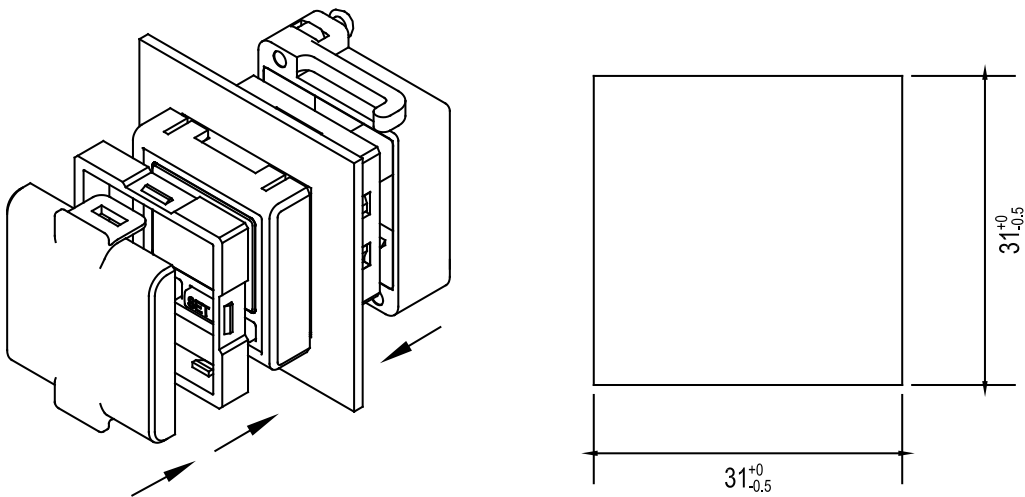
Shelf Accessory (DPA / DPB) Unit : mm

Model: DPA-FMKit



Transparent Protective Cover (DPA / DPB) Unit : mm

Model: DPA-FPCKIT





Smarter. Greener. Together.

Industrial Automation Headquarters

Delta Electronics, Inc.

Taoyuan Technology Center
No.18, Xinglong Rd., Taoyuan District,
Taoyuan City 33068, Taiwan
TEL: 886-3-362-6301 / FAX: 886-3-371-6301

Asia

Delta Electronics (Shanghai) Co., Ltd.

No.182 Minyu Rd., Pudong Shanghai, P.R.C.
Post code : 201209
TEL: 86-21-6872-3988 / FAX: 86-21-6872-3996
Customer Service: 400-820-9595

Delta Electronics (Japan), Inc.

Tokyo Office
Industrial Automation Sales Department
2-1-14 Shibadaimon, Minato-ku
Tokyo, Japan 105-0012
TEL: 81-3-5733-1155 / FAX: 81-3-5733-1255

Delta Electronics (Korea), Inc.

Seoul Office
1511, 219, Gasan Digital 1-Ro., Geumcheon-gu,
Seoul, 08501 South Korea
TEL: 82-2-515-5305 / FAX: 82-2-515-5302

Delta Energy Systems (Singapore) Pte Ltd.

4 Kaki Bukit Avenue 1, #05-04, Singapore 417939
TEL: 65-6747-5155 / FAX: 65-6744-9228

Delta Electronics (India) Pvt. Ltd.

Plot No.43, Sector 35, HSIIDC Gurgaon,
PIN 122001, Haryana, India
TEL: 91-124-4874900 / FAX : 91-124-4874945

Delta Electronics (Thailand) PCL.

909 Soi 9, Moo 4, Bangpoo Industrial Estate (E.P.Z),
Pattana 1 Rd., T.Phraksa, A.Muang,
Samutprakarn 10280, Thailand
TEL: 66-2709-2800 / FAX : 662-709-2827

Delta Electronics (Australia) Pty Ltd.

Unit 20-21/45 Normanby Rd., Notting Hill Vic 3168, Australia
TEL: 61-3-9543-3720

Americas

Delta Electronics (Americas) Ltd.

Raleigh Office
P.O. Box 12173, 5101 Davis Drive,
Research Triangle Park, NC 27709, U.S.A.
TEL: 1-919-767-3813 / FAX: 1-919-767-3969

Delta Electronics Brazil

São Paulo Sales Office
Rua Itapeva, 26 - 3º, andar Edifício Itapeva,
One - Bela Vista 01332-000 - São Paulo - SP - Brazil
TEL: 55-12-3932-2300 / FAX: 55-12-3932-237

Delta Electronics International Mexico S.A. de C.V.

Mexico Office
Gustavo Baz No. 309 Edificio E PB 103
Colonia La Loma, CP 54060
Tlalnepantla, Estado de México
TEL: 52-55-3603-9200

EMEA

Headquarters: Delta Electronics (Netherlands) B.V.

Sales: Sales.IA.EMEA@deltaww.com
Marketing: Marketing.IA.EMEA@deltaww.com
Technical Support: iatechnicalsupport@deltaww.com
Customer Support: Customer-Support@deltaww.com
Service: Service.IA.emea@deltaww.com
TEL: +31(0)40 800 3900

BENELUX: Delta Electronics (Netherlands) B.V.

De Witbogt 20, 5652 AG Eindhoven, The Netherlands
Mail: Sales.IA.Benelux@deltaww.com
TEL: +31(0)40 800 3900

DACH: Delta Electronics (Netherlands) B.V.

Coesterweg 45, D-59494 Soest, Germany
Mail: Sales.IA.DACH@deltaww.com
TEL: +49(0)2921 987 0

France: Delta Electronics (France) S.A.

ZI du bois Challand 2, 15 rue des Pyrénées,
Lisses, 91090 Evry Cedex, France
Mail: Sales.IA.FR@deltaww.com
TEL: +33(0)1 69 77 82 60

Iberia: Delta Electronics Solutions (Spain) S.L.U

Ctra. De Villaverde a Vallecas, 265 1º Dcha Ed.
Hormigueras – P.I. de Vallecas 28031 Madrid
TEL: +34(0)91 223 74 20

Carrer Llacuna 166, 08018 Barcelona, Spain

Mail: Sales.IA.Iberia@deltaww.com

Italy: Delta Electronics (Italy) S.r.l.

Via Meda 2-22060 Novedrate(CO)
Piazza Grazioli 18 00186 Roma Italy
Mail: Sales.IA.Italy@deltaww.com
TEL: +39 039 8900365

Russia: Delta Energy System LLC

Vereyskaya Plaza II, office 112 Vereyskaya str.
17 121357 Moscow Russia
Mail: Sales.IA.RU@deltaww.com
TEL: +7 495 644 3240

Turkey: Delta Greentech Elektronik San. Ltd. Sti. (Turkey)

Şerifaii Mah. Hendem Cad. Kule Sok. No:16-A
34775 Ümraniye – İstanbul
Mail: Sales.IA.Turkey@deltaww.com
TEL: + 90 216 499 9910

GCC: Delta Energy Systems AG (Dubai BR)

P.O. Box 185668, Gate 7, 3rd Floor, Hamarain Centre
Dubai, United Arab Emirates
Mail: Sales.IA.MEA@deltaww.com
TEL: +971(0)4 2690148

Egypt + North Africa: Delta Electronics

Unit 318, 3rd Floor, Trivium Business Complex, North 90 street,
New Cairo, Cairo, Egypt
Mail: Sales.IA.MEA@deltaww.com