



**ETP-EXPRESS R is available as standard for shafts 15-80 mm, also imperial. Runout  $\leq 0,02$  mm. Number of mountings 200 – 800 (size dependent). The extremely thin built-in dimensions allows for a compact design with low weight and inertia.**

#### Construction

ETP-EXPRESS R is a hydraulic connection which consists of a double-walled hardened stainless steel sleeve filled with a pressure medium, and a flange. The flange part contains a stainless screw and piston with seals to maintain pressure.

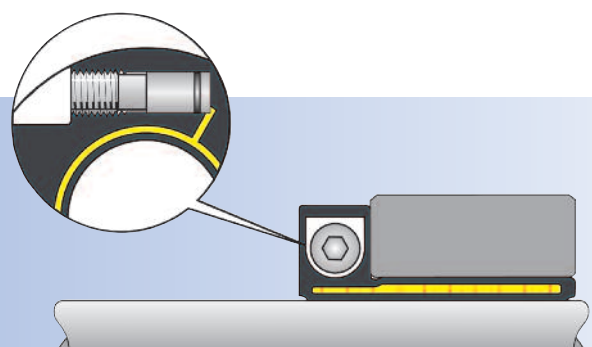
#### Operation

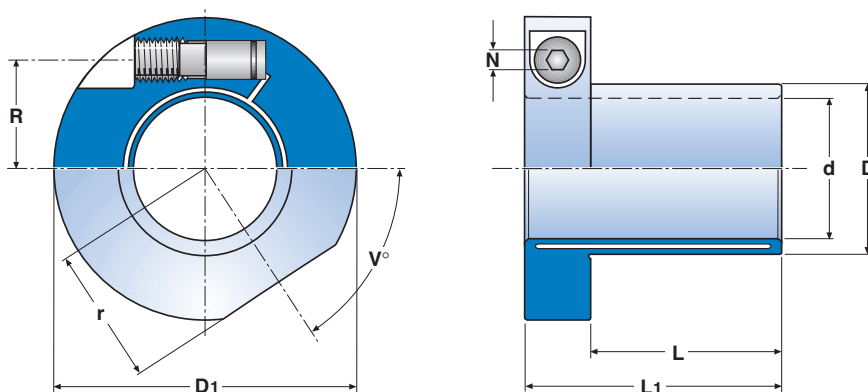
When the pressure screw is tightened the double-walled sleeve expands uniformly against shaft and hub and creates a rigid joint. Dismantling is done by loosening the screw. ETP-EXPRESS R returns to its original dimensions and can easily be dismantled.

#### BENEFITS & FEATURES

- ETP-EXPRESS R have the same benefits and features as ETP-EXPRESS.
- All parts exposed to the environment are made of stainless steel.
- Flat flange design allows for easy cleaning.
- Pressure medium and screw lubricant are food approved.

*When the pressure screw is tightened to the recommended tightening torque, the piston has reached the bottom of the bore. ETP-EXPRESS R has created a uniform surface pressure against the shaft and hub.*





Notation ETP-EXPRESS R-XX

### Technical Specification ETP-EXPRESS R

ETP-EXPRESS	Dimensions								Transmittable			Screws DIN 915, 12.9				Polar moment of inertia J kgm <sup>2</sup> · 10 <sup>-3</sup>	Weight kg
	d mm	D mm	D <sub>1</sub> mm	D <sub>2</sub> * mm	L mm	L <sub>1</sub> mm	r mm	v°	T Nm	F <sub>A</sub> kN	F <sub>R</sub> kN	Dim.	R mm	N mm	Tt Nm		
R-15	15	18	46	48,9	25	39	19,9	53	46	5,1	0,5	M10	15,1	5	5	0,04	0,16
R-5/8"	15,875	19	47	49,8	26	40	20,3	54	53	5,5	0,5	M10	15,6	5	5	0,05	0,17
R-3/4"	19,05	23	50,5	53,0	28	42	21,9	55	85	7,3	1	M10	17,4	5	5	0,06	0,20
R-20	20	24	51,5	54,1	30	44	22,6	56	110	9,1	1	M10	18	5	5	0,07	0,21
R-7/8"	22,225	27	55,5	60,5	32	46	24,4	57	130	9,6	1	M10	19,3	5	5	0,10	0,25
R-25	25	30	58	62,9	35	49	25,8	58	230	15	1,5	M10	20,8	5	5	0,12	0,27
R-1"	25,4	31	59	63,8	35	49	26,1	58	190	12	1,5	M10	21,2	5	5	0,13	0,29
R-1 1/8"	28,575	35	63,5	70,1	39	53	28,5	59	290	16	1,8	M10	23	5	5	0,18	0,35
R-30	30	36	64,5	71,0	40	54	29,1	59	380	21	2	M10	23,6	5	5	0,19	0,35
R-1 1/4"	31,75	39	68,5	77,7	42	56	31,1	58	430	22	2,2	M10	24,8	5	5	0,25	0,42
R-1 3/8"	34,925	42	73	85,1	45	59	31,9	60,5	640	30	2,5	M10	26,4	5	5	0,31	0,47
R-35	35	42	73	85,1	45	59	33,7	58	640	30	2,5	M10	26,4	5	5	0,32	0,48
R-1 1/2"	38,1	46	84,5	89,5	52	72	36,6	58	890	38	2,8	M16	31	8	21	0,76	0,84
R-40	40	48	86,5	91,2	55	75	37,7	59	1100	45	3	M16	32	8	21	0,84	0,88
R-1 3/4"	44,45	54	93	100,3	58	78	41,1	61	1400	51	3,5	M16	34,8	8	21	1,19	1,08
R-45	45	54	93	100,3	58	78	41,1	59	1400	51	3,5	M16	34,8	8	21	1,17	1,05
R-1 15/16"	49,2125	60	98,5	105,1	60	80	43,7	62	1900	63	4,5	M16	37,5	8	21	1,55	1,25
R-50	50	60	98,5	105,1	60	80	43,7	60	1900	63	4,5	M16	37,5	8	21	1,52	1,20
R-2"	50,8	61	101,5	111,8	60	80	45,2	60	1900	62	4,5	M16	38	8	21	1,72	1,28
R-60	60	73	115,5	132,7	70	90	53,3	59	3300	90	5,3	M16	43,3	8	21	3,17	1,85
R-70	70	85	135,5	153,9	85	109	62	59	5600	130	6,4	M20	50,8	10	39	7,12	3,04
R-80	80	97	145,5	162,6	95	119	65,9	61	8700	180	7,5	M20	56,3	10	39	10,35	3,75

T= Transmittable torque when axial force is 0. } When the screw is tightened to Tt  
 F<sub>A</sub>=Transmittable axial force when torque is 0.  
 F<sub>R</sub>=Max transmittable radial force at continuous operation.  
 Max allowed bending torque: 5% of transmittable torque T.

Tt= Recommended tightening torque for the screw.  
 Further tightening does not increase the pressure.  
 \*) D2 is valid before mounting.  
 Dimensions subject to alterations without notice.

#### Tolerances

Shaft h8 (R-15 only h7).  
 Hub H7.

#### Type of torque

Transmittable torque, T, is for static load. If the load is alternating or pulsating torque, reduce the transmittable torque, T, with the following factors: (factor x T).  
**Alternating: 0,5 x T.**  
**Pulsating: 0,6 x T.**

#### Material

Type R: Euronorm 1.4057, stainless steel, X19CrNi17-2.  
 \*\*)Screw: coated for a low and even friction in the threads.

#### Mounting advice

Make sure the screw thread is well lubricated before each mounting. We recommend the use of Molykote P-1900.

#### Special versions on request

ETP-EXPRESS R can be delivered in more corrosion resistant stainless steel and plated with Nickel.