

LCM
LCR
 LCG
 LCW
 LCX
 STM
 STG
 STS/STL
 STR2
 UCA2
 ULK*
 JSK/M2
 JSG
 JSC3/JSC4
 USSD
 UFCD
 USC
 UB
 JSB3
 LMB
 LML
 HCM
 HCA
 LBC
 CAC4
 UCAC2
 CAC-N
 UCAC-N
 RCS2
 RCC2
 PCC
 SHC
 MCP
 GLC
 MFC
 BBS
 RRC
 GRC
 RV3*
 NHS
 HRL
 LN
 Hand
 Chuk
 MecHnd/Chuk
 ShkAbs
 FJ
 FK
 SpdContr
 Ending



Linear slide cylinder Double acting/single rod

LCR Series

● Bore size: $\varnothing 6/\varnothing 8/\varnothing 12/\varnothing 16/\varnothing 20/\varnothing 25$

JIS symbol



Specifications

Item		LCR					
Bore size	mm	$\varnothing 6$	$\varnothing 8$	$\varnothing 12$	$\varnothing 16$	$\varnothing 20$	$\varnothing 25$
Actuation		Double acting					
Working fluid		Compressed air					
Max. working pressure	MPa	0.7 (≈ 100 psi, 7 bar)					
Min. working pressure	MPa	0.15 (≈ 22 psi, 1.5 bar) (*1)					
Proof pressure	MPa	1.05 (≈ 150 psi, 10.5 bar)					
Ambient temperature	$^{\circ}\text{C}$	-10 (14°F) to 60 (140°F) (no freezing)					
Port size	Main body side	M3	M5		Rc1/8		
	Main body back	-	M3	M5	Rc1/8		
Stroke tolerance	mm	+2.0 0 (*2)					
Working piston speed	mm/s	50 to 500 (*3)					
Cushion		With rubber cushion					
Lubrication		Not required (use turbine oil class 1 ISO VG32 if necessary for lubrication)					
Allowable absorbed energy	J	Refer to Table 3 on page 122.					

*1: 0.2 MPa when using $\varnothing 6$ shock absorber stopper.

*2: Note that there will be a slight gap between the end plate and floating bush if no stopper is attached.

*3: Keep within 50 to 200 mm/s when using a stroke adjusting stopper.

*4: The stroke adjusting stopper for 0.3 MPa and over working pressure is the metal sealing.

Stroke length

Bore size (mm)	Standard stroke length (mm)
$\varnothing 6$	10, 20, 30, 40, 50
$\varnothing 8$	10, 20, 30, 40, 50, 75
$\varnothing 12$	10, 20, 30, 40, 50, 75, 100
$\varnothing 16$	10, 20, 30, 40, 50, 75, 100, 125
$\varnothing 20$	10, 20, 30, 40, 50, 75, 100, 125, 150
$\varnothing 25$	10, 20, 30, 40, 50, 75, 100, 125, 150

Note: Products with stroke lengths other than the above are not available.

With buffer specifications Specifications other than the below are same as the above common specifications.

Item	Description							
Bore size	mm	$\varnothing 6$	$\varnothing 8$	$\varnothing 12$	$\varnothing 16$	$\varnothing 20$	$\varnothing 25$	
Buffer stroke length	mm	4		9		10		
Buffer part	Set	N	3	5	10	13	17	21
spring load	Operating	N	7	8	14	20	25	29

*1: In the type with buffer, adjusting the rod side stroke length will shorten the buffer stroke length and increase the spring load when set.

*2: Keep the buffer stroke length less than the stroke length above. Otherwise, malfunctions or damage may result.

Theoretical thrust table

Refer to page 123.

Switch specifications

- 1-color/2-color display

Item	Reed 2-wire				Proximity 2-wire		Proximity 3-wire		
	T0H/T0V		T5H/T5V		T2H/T2V	T2WH/T2WV	T3H/T3V	T3PH/T3PV	T3WH/T3WV
Applications	For programmable controller, relay		For programmable controller, relay, IC circuit (without indicator lamp), serial connection		Dedicated for programmable controller		For programmable controller, relay		
Output method	-		-		-		NPN output	PNP output	NPN output
Power supply voltage	-		-		-		10 to 28 VDC		
Load voltage	12/24 VDC	110 VAC	5/12/24 VDC	110 VAC	10 to 30 VDC	24 VDC ±10%	30 VDC or less		
Load current	5 to 50 mA	7 to 20 mA	50 mA or less	20 mA or less	5 to 20 mA		100 mA or less	50 mA or less	
Indicator lamp	LED (Lit when ON)		Without indicator lamp		LED (Lit when ON)	Red/green LED (Lit when ON)	LED (Lit when ON)	Yellow LED (Lit when ON)	Red/green LED (Lit when ON)
Leakage current	0 mA				1 mA or less		10 µA or less		
Weight	g		1 m:18 3 m:49 5 m:80						

Item	Proximity 2-wire		Proximity 3-wire		Proximity 2-wire		Proximity 3-wire		
	F2S		F3S		F2H/F2V	F2YH/F2YV	F3H/F3V	F3PH/F3PV (Made to order)	F3YH/F3YV
Applications	Dedicated for programmable controller		For programmable controller, relay		Dedicated for programmable controller		For programmable controller, relay		
Output method	-		NPN output		-		NPN output	PNP output	NPN output
Power supply voltage	-		10 to 28 VDC		-		10 to 28 VDC	4.5 to 28 VDC	10 to 28 VDC
Load voltage	10 to 30 VDC		30 VDC or less		10 to 30 VDC	24 VDC ±10%	30 VDC or less		
Load current	5 to 20 mA		50 mA or less		5 to 20 mA		50 mA or less		
Indicator lamp	LED (Lit when ON)				Yellow LED (Lit when ON)	Red/green LED (Lit when ON)	Yellow LED (Lit when ON)		Red/green LED (Lit when ON)
Leakage current	1 mA or less		10 µA or less		1 mA or less		10 µA or less		
Weight	g		1 m:10 3 m:29						

*1 : Refer to Ending Page 1 for detailed switch specifications and dimensions.

*2 : Switches other than the above models, such as switches with connectors, are also available. Refer to Ending Page 1.

*3 : The max. load current is 20 mA at 25°C. The current is lower than 20 mA if the operating ambient temperature around the switch is higher than 25°C. (5 to 10 mA at 60°C)

*4 : The F type switch uses a bend-resistant lead wire.

Cylinder weight

- Basic

(Unit: g)

Bore size (mm)	Basic Stroke length (mm)								
	10	20	30	40	50	75	100	125	150
ø6	110	110	130	160	180	-	-	-	-
ø8	160	160	180	230	260	320	-	-	-
ø12	310	320	320	360	390	520	610	-	-
ø16	490	500	500	550	610	840	970	1,110	-
ø20	900	910	920	1,000	1,090	1,390	1,600	1,810	2,020
ø25	1,620	1,640	1,650	1,760	1,860	2,350	2,620	2,890	3,160

- Additional weight of options

(Unit: g)

Bore size (mm)	Option/stopper code				With buffer
	S1 to S4	S5/S6	A1 to A4	A5/A6	B/BL
ø6	30	40	40	50	40
ø8	40	60	50	70	40
ø12	70	100	80	110	70
ø16	110	150	120	160	80
ø20	170	250	180	270	150
ø25	290	380	300	400	320

Specifications for rechargeable battery

(Catalog No. CC-1226A)

LCR - ... -

P4*

- Design compatible with rechargeable battery manufacturing process.

* Contact CKD for details.

- LCM
- LCR
- LCG
- LCW
- LCX
- STM
- STG
- STS/STL
- STR2
- UCA2
- ULK*
- JSK/M2
- JSG
- JSC3/JSC4
- USSD
- UFCD
- USC
- UB
- JSB3
- LMB
- LML
- HCM
- HCA
- LBC
- CAC4
- UCAC2
- CAC-N
- UCAC-N
- RCS2
- RCC2
- PCC
- SHC
- MCP
- GLC
- MFC
- BBS
- RRC
- GRC
- RV3*
- NHS
- HRL
- LN
- Hand
- Chuk
- MechHnd/Chuk
- ShkAbs
- FJ
- FK
- SpdContr
- Ending

LCR Series

How to order

Without switch (built-in magnet for switch)

LCR - 8 - 40 - S506 DTBLN

With switch (built-in magnet for switch)

LCR - 12 - 40 - F2H* - R - S506 DTBLN

Model No.

A Bore size

B Stroke length

D Switch quantity

F Option

C Switch model No.

⚠ Precautions for model No. selection

- *1 : For the adjustable stroke range with a shock absorber stopper, refer to the stopper dimensions table on page 82.
- *2 : For the port position, refer to the stopper dimensions on page 82.
- *3 : The port positions of the standard without stopper are ① and ③ in the figure below.
- *4 : Refer to stoppers "C*" and "W*" for combination of the stroke adjusting stopper and shock absorber stopper.
- *5 : Can be selected for the type with stopper only.
- *6 : A switch for buffer should be purchased separately. Refer to how to order a switch on page 64.
- *7 : Refer to the selection table on page 63 for combinations of options.
- *8 : A1**, A2**, A5** and A6** of ø6 to ø8 with 10 mm stroke length or less and ø12 to ø25 with 20 mm stroke length or less are made to order since adjustment is not possible with the standard stopper.
- *9 : When two switches are necessary for the type with S*** or A*** of ø6 to ø8 with 30 mm stroke length or less, select the F □ H type switch.
- *10 : Select when using rear piping.
- *11 : Can be selected only when using stroke adjusting stopper (S) and one side mixed type (C).
- *12 : When two switches are necessary or a switch is installed on the head side of W3 to 6 (two-sided combined stopper) of ø6 (all stroke lengths), ø8 with 20 or 30 mm stroke length, ø12 with 30 to 50 mm stroke length or ø16 with 30 to 50 mm stroke length, select the axial lead wire.
- *13 : Cannot be selected when choosing two-sided combined (W).
- *14 : The adjustable stroke range when choosing two-sided combined (W) is ø6: 9 mm, ø8: 13.5 mm, ø12: 14.5 mm, ø16: 15 mm, ø20: 13 mm, ø25: 10 mm.
- *15 : The stroke adjusting stopper for 0.3 MPa and over working pressure is the metal sealing.

E Stopper

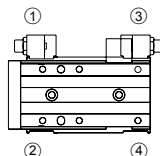
● Stopper position

[Example of model No.]

LCR-12-40-F2H-R-A1D T

Model: Linear slide cylinder double acting/single rod LCR

- A Bore size : ø12
- B Stroke length : 40 mm
- C Switch model No. : Proximity/2-wire Axial lead wire
- D Switch quantity : 1 on rod side
- E Stopper : Shock absorber stopper Stopper position ①
- F Option : With side and bottom ports Material, steel (nitriding)



Code	Description
A Bore size	
6	ø6
8	ø8
12	ø12
16	ø16
20	ø20
25	ø25

		Bore size (ø)					
		6	8	12	16	20	25
10	10	●	●	●	●	●	●
20	20	●	●	●	●	●	●
30	30	●	●	●	●	●	●
40	40	●	●	●	●	●	●
50	50	●	●	●	●	●	●
75	75		●	●	●	●	●
100	100			●	●	●	●
125	125				●	●	●
150	150					●	●

Axial lead wire		Radial lead wire		Contact	Voltage		Indicator lamp	Lead wire	Bore size						
					AC	DC			ø6	ø8	ø12	ø16	ø20	ø25	
-	F2S*			Proximity	●		1-color display	2-wire							
-	F3S*				●		2-color display	3-wire							
F2H*	F2V*				●		1-color display (PNP output) (made to order)	2-wire	●	●	●				
F3H*	F3V*				●		2-color display	3-wire							
F3PH*	F3PV*			Reed	●		1-color display	3-wire							
F2YH*	F2YV*				●		no indicator lamp	2-wire							
F3YH*	F3YV*				●		1-color display	3-wire							
T0H*	T0V*			Proximity	●		display	2-wire							
T5H*	T5V*				●		1-color display	3-wire							
T2H*	T2V*				●		2-color display	2-wire							
T3H*	T3V*			Proximity	●		1-color display (PNP output)	3-wire				●	●	●	
T3PH*	T3PV*				●		2-color display	2-wire							
T2WH*	T2WV*				●		display	3-wire							
T3WH*	T3WV*														

* Lead wire length		Bore size (ø)					
Blank	1 m (standard)						●
3	3 m (option)						●
5	5 m (option)						●

D Switch quantity	
R	1 on rod side
H	1 on head side
D	2

E Stopper
Refer to "Stopper" on page 61.

F Option	
Blank	Port on the stopper: without port
D	Port on the stopper: side and bottom ports *2, *5, *13
Blank	Stopper block material: steel
T	Stopper block material: steel (nitriding) *5
B With buffer *6, *7	
B	Without switch groove
BL	With switch groove
Plug attached	
Blank	None
N	With side piping port plug (not available for ø6, ø25) *10

[② Stopper]

Code	Description	Code	Description
② Stopper		C One side hybrid stopper mix (shock absorber stopper, stroke adjusting stopper)	
Blank	No option	C1**	A1+S3
S Stroke adjusting stopper		C2**	A2+S4
S1**	Stopper position ① (can be changed to ④)	C3**	A3+S1
S2**	Stopper position ② (can be changed to ③)	C4**	A4+S2
S3**	Stopper position ③ (can be changed to ②) *16	** part Adjustable stroke range ● Compatible with all. ▲ Compatible with some. *11	
S4**	Stopper position ④ (can be changed to ①) *16		
S5**	Stopper position ①, ③	Protruding end	
S6**	Stopper position ②, ④	Return end	
A Shock absorber stopper		Stopper model No.	
A1	Stopper position ① (can be changed to ④)	Blank	5 mm or none
A2	Stopper position ② (can be changed to ③)	02	15 mm or none
A3	Stopper position ③ (can be changed to ②) *16	03	25 mm or none
A4	Stopper position ④ (can be changed to ①) *16	04	15 mm
A5	Stopper position ①, ③	05	25 mm
A6	Stopper position ②, ④	06	5 mm
W Two-sided combined double stopper (shock absorber stopper, metal stopper)		07	5 mm
W1	A1 + metal stopper	Stopper Installation position	
W2	A2 + metal stopper	Stopper Installation position	
W3	A3 + metal stopper	Stopper Installation position	
W4	A4 + metal stopper	Stopper Installation position	
W5	A5 + metal stopper	Stopper Installation position	
W6	A6 + metal stopper	Stopper Installation position	

*16: When changing the stopper position from the head side to the rod side, the stopper must be purchased separately according to the stroke length and adjustable stroke length. Refer to "Precautions when purchasing discrete stopper" on page 65. A1, A2 and adjustable stroke length of 15 mm and 25 mm may not be available depending on the stroke length.

Stopper model No. selection method

1 Stopper combination table

Model No. - [① Stopper] [② Stopper position] [③] Example) LCR-8-40-[S] [5]06

Stopper position model No. [②]	Stroke adjustable (one side) Shock absorber (one side) Two-sided combined double stopper One side hybrid stopper mix			
	Stopper model No. [①]			
	[S]	[A]	[W]	[C]
[1]	[S1]	[A1]	[W1]	[C1]
[2]	[S2]	[A2]	[W2]	[C2]
[3]	[S3]	[A3]	[W3]	[C3]
[4]	[S4]	[A4]	[W4]	[C4]
[5]	[S5]	[A5]	[W5]	
[6]	[S6]	[A6]	[W6]	

▲ shows the piping direction.
If two-sided combined (W) is selected, the stopper bracket comes with piping on both sides, ▲ (piping direction) and the reverse side stopper bracket comes with a plug.

■ : Shock absorber stopper
■ : Stroke adjusting stopper (adjusting range 5 mm)
■ : Metal adjusting stopper (adjusting range 15 mm)

- LCM
- LCR
- LCG
- LCW
- LCX
- STM
- STG
- STS/STL
- STR2
- UCA2
- ULK*
- JSK/M2
- JSG
- JSC3/JSC4
- USSD
- UFCD
- USC
- UB
- JSB3
- LMB
- LML
- HCM
- HCA
- LBC
- CAC4
- UCAC2
- CAC-N
- UCAC-N
- RCS2
- RCC2
- PCC
- SHC
- MCP
- GLC
- MFC
- BBS
- RRC
- GRC
- RV3*
- NHS
- HRL
- LN
- Hand
- Chuk
- MechHnd/Chuk
- ShkAbs
- FJ
- FK
- SpdContr
- Ending

Stopper model No. selection method

2 Stopper combination table

Model No. - [①② Stopper] [③ Adjustable stroke range]

Example) LCR-8-40-S5[06]

For stroke adjusting stopper -S

- : Stroke adjusting stopper (adjusting range 5 mm)
- : Stroke adjusting stopper (adjusting range 15 mm)
- : Stroke adjusting stopper (adjusting range 25 mm)

Adjustable stroke range Model No. [③]	Stopper adjusting range		Stopper model No. [①②]					
	Protruding end	Return end	[S1]	[S2]	[S3]	[S4]	[S5]	[S6]
	Blank	5 mm or none	5 mm or none					
[02]	15 mm or none	15 mm or none						
[03]	25 mm or none	25 mm or none						
[04]	15 mm	5 mm	/					
[05]	25 mm	5 mm	/					
[06]	5 mm	15 mm	/					
[07]	5 mm	25 mm	/					

▲ shows the piping direction.
Cannot be selected for shock absorber [A] and two-sided combined [W].

3 For one side hybrid stopper mix -C

- : Shock absorber stopper
- : Stroke adjusting stopper (adjusting range 15 mm)
- : Stroke adjusting stopper (adjusting range 5 mm)
- : Stroke adjusting stopper (adjusting range 25 mm)

Adjustable stroke range Model No. [③]	Stopper adjusting range		Stopper model No. [①②]			
	Protruding end	Return end	[C1]	[C2]	[C3]	[C4]
	Blank	5 mm or shock absorber	5 mm or shock absorber			
[02]	15 mm or shock absorber	15 mm or shock absorber				
[03]	25 mm or shock absorber	25 mm or shock absorber				

▲ shows the piping direction.
For the adjustable stroke range with a shock absorber stopper, refer to the stopper dimensions table on page 82.

LCR Double acting/single rod selection table

(Combination with stroke adjusting stopper, shock absorber stopper)

●: Available —: Not available

Model No.	Stopper		Stroke adjustable																																			
	Stopper code	Stroke mm	S1						S2						S3						S4						S5						S6					
			Adjustment length code																																			
	Bore size	Stroke mm	Blank	02	03	Blank	02	03	Blank	02	03	Blank	02	03	Blank	02	03	Blank	02	03	04	05	06	07	Blank	02	03	04	05	06	07							
LCR	ø6,ø8	10	●	—	—	●	—	—	●	●	—	●	●	—	●	●	—	●	●	—	●	●	—	●	●	—	●	●	—	●	●	—						
		20 or more	●	●	—	●	●	—	●	●	—	●	●	—	●	●	—	●	●	—	●	●	—	●	●	—	●	●	—	●	●	—						
	ø12 to ø25	10	●	—	—	●	—	—	●	●	—	●	●	—	●	●	—	●	●	—	●	●	—	●	●	—	●	●	—	●	●	—						
		20 or more	●	●	—	●	●	—	●	●	—	●	●	—	●	●	—	●	●	—	●	●	—	●	●	—	●	●	—	●	●	—						
LCR-B, BL	ø6,ø8	10	●	—	—	●	—	—	●	●	—	●	●	—	●	●	—	●	●	—	●	●	—	●	●	—	●	●	—	●	●	—						
		20 or more	●	—	—	●	—	—	●	●	—	●	●	—	●	●	—	●	●	—	●	●	—	●	●	—	●	●	—	●	●	—						
	ø12 to ø25	10	●	—	—	●	—	—	●	●	—	●	●	—	●	●	—	●	●	—	●	●	—	●	●	—	●	●	—	●	●	—						
		20 or more	●	●	—	●	●	—	●	●	—	●	●	—	●	●	—	●	●	—	●	●	—	●	●	—	●	●	—	●	●	—						
LCR-B, BL	ø6,ø8	10	●	—	—	●	—	—	●	●	—	●	●	—	●	●	—	●	●	—	●	●	—	●	●	—	●	●	—	●	●	—						
		20 or more	●	—	—	●	—	—	●	●	—	●	●	—	●	●	—	●	●	—	●	●	—	●	●	—	●	●	—	●	●	—						
	ø12 to ø25	10	●	—	—	●	—	—	●	●	—	●	●	—	●	●	—	●	●	—	●	●	—	●	●	—	●	●	—	●	●	—						
		20 or more	●	●	—	●	●	—	●	●	—	●	●	—	●	●	—	●	●	—	●	●	—	●	●	—	●	●	—	●	●	—						
LCR-B, BL	ø6,ø8	10	●	—	—	●	—	—	●	●	—	●	●	—	●	●	—	●	●	—	●	●	—	●	●	—	●	●	—	●	●	—						
		20 or more	●	—	—	●	—	—	●	●	—	●	●	—	●	●	—	●	●	—	●	●	—	●	●	—	●	●	—	●	●	—						
	ø12 to ø25	10	●	—	—	●	—	—	●	●	—	●	●	—	●	●	—	●	●	—	●	●	—	●	●	—	●	●	—	●	●	—						
		20 or more	●	●	—	●	●	—	●	●	—	●	●	—	●	●	—	●	●	—	●	●	—	●	●	—	●	●	—	●	●	—						
LCR-B, BL	ø6,ø8	10	●	—	—	●	—	—	●	●	—	●	●	—	●	●	—	●	●	—	●	●	—	●	●	—	●	●	—	●	●	—						
		20 or more	●	—	—	●	—	—	●	●	—	●	●	—	●	●	—	●	●	—	●	●	—	●	●	—	●	●	—	●	●	—						
	ø12 to ø25	10	●	—	—	●	—	—	●	●	—	●	●	—	●	●	—	●	●	—	●	●	—	●	●	—	●	●	—	●	●	—						
		20 or more	●	●	—	●	●	—	●	●	—	●	●	—	●	●	—	●	●	—	●	●	—	●	●	—	●	●	—	●	●	—						
LCR-B, BL	ø6,ø8	10	●	—	—	●	—	—	●	●	—	●	●	—	●	●	—	●	●	—	●	●	—	●	●	—	●	●	—	●	●	—						
		20 or more	●	—	—	●	—	—	●	●	—	●	●	—	●	●	—	●	●	—	●	●	—	●	●	—	●	●	—	●	●	—						
	ø12 to ø25	10	●	—	—	●	—	—	●	●	—	●	●	—	●	●	—	●	●	—	●	●	—	●	●	—	●	●	—	●	●	—						
		20 or more	●	●	—	●	●	—	●	●	—	●	●	—	●	●	—	●	●	—	●	●	—	●	●	—	●	●	—	●	●	—						

Model No.	Stopper		Shock absorber						Two-sided combined double stopper						One side hybrid stopper mix															
	Stopper code	Stroke mm	A1	A2	A3	A4	A5	A6	W1	W2	W3	W4	W5	W6	C1				C2				C3				C4			
															Adjustment length code															
	Bore size	Stroke mm	Blank	02	03	Blank	02	03	Blank	02	03	Blank	02	03	Blank	02	03	Blank	02	03	Blank	02	03	Blank	02	03	Blank	02	03	
LCR	ø6,ø8	10	—	—	●	●	—	—	—	—	●	●	—	—	—	—	—	—	—	—	—	—	—	—	—	—	—	—	—	—
		20 or more	●	●	●	●	●	●	●	●	●	●	●	●	●	●	●	●	●	●	●	●	●	●	●	●	●	●	●	●
	ø12 to ø25	10	—	—	●	●	—	—	—	—	—	—	—	—	—	—	—	—	—	—	—	—	—	—	—	—	—	—	—	—
		20 or more	●	●	●	●	●	●	●	●	●	●	●	●	●	●	●	●	●	●	●	●	●	●	●	●	●	●	●	●
LCR-B, BL	ø6,ø8	10	—	—	●	●	—	—	—	—	●	●	—	—	—	—	—	—	—	—	—	—	—	—	—	—	—	—	—	—
		20 or more	●	●	●	●	●	●	●	●	●	●	●	●	●	●	●	●	●	●	●	●	●	●	●	●	●	●	●	●
	ø12 to ø25	10	—	—	●	●	—	—	—	—	—	—	—	—	—	—	—	—	—	—	—	—	—	—	—	—	—	—	—	—
		20 or more	●	●	●	●	●	●	●	●	●	●	●	●	●	●	●	●	●	●	●	●	●	●	●	●	●	●	●	●
LCR-B, BL	ø6,ø8	10	—	—	●	●	—	—	—	—	●	●	—	—	—	—	—	—	—	—	—	—	—	—	—	—	—	—	—	—
		20 or more	●	●	●	●	●	●	●	●	●	●	●	●	●	●	●	●	●	●	●	●	●	●	●	●	●	●	●	●
	ø12 to ø25	10	—	—	●	●	—	—	—	—	—	—	—	—	—	—	—	—	—	—	—	—	—	—	—	—	—	—	—	—
		20 or more	●	●	●	●	●	●	●	●	●	●	●	●	●	●	●	●	●	●	●	●	●	●	●	●	●	●	●	●

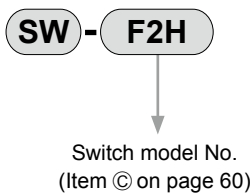
The table above also applies to combinations with option code D (with port on stopper) or T (steel stopper block (nitriding)).

LCM
LCR
LCG
LCW
LCX
STM
STG
STS/STL
STR2
UCA2
ULK*
JSK/M2
JSG
JSC3/JSC4
USSD
UFCD
USC
UB
JSB3
LMB
LML
HCM
HCA
LBC
CAC4
UCAC2
CAC-N
UCAC-N
RCS2
RCC2
PCC
SHC
MCP
GLC
MFC
BBS
RRC
GRC
RV3*
NHS
HRL
LN
Hand
Chuk
MechHnd/Chuk
ShkAbs
FJ
FK
SpdContr
Ending

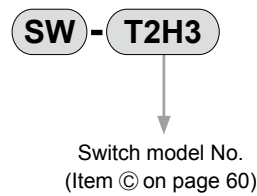
LCM
LCR
LCG
LCW
LCX
STM
STG
STS/STL
STR2
UCA2
ULK*
JSK/M2
JSG
JSC3/JSC4
USSD
UFCD
USC
UB
JSB3
LMB
LML
HCM
HCA
LBC
CAC4
UCAC2
CAC-N
UCAC-N
RCS2
RCC2
PCC
SHC
MCP
GLC
MFC
BBS
RRC
GRC
RV3*
NHS
HRL
LN
Hand
Chuk
MecHnd/Chuk
ShkAbs
FJ
FK
SpdContr
Ending

How to order switch

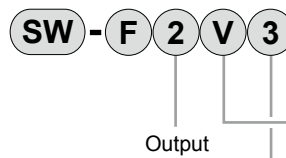
For $\phi 6$ to $\phi 12$



For $\phi 16$ to $\phi 25$



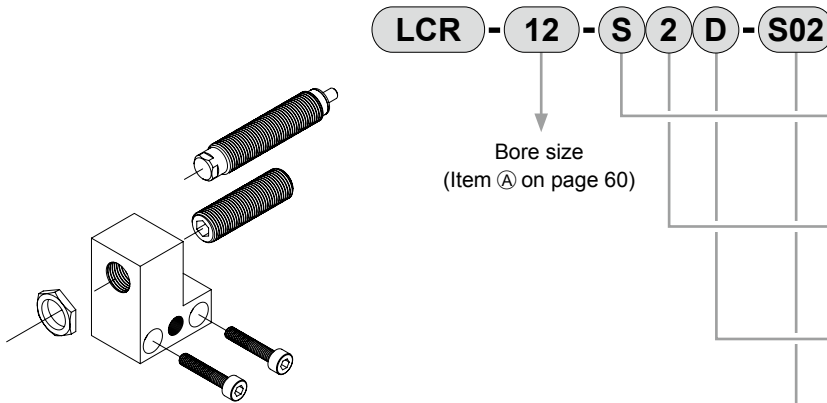
● For buffer



Output	
2	DC 2-wire proximity
3	DC 3-wire proximity
Radial lead wire	
Lead wire length	
Blank	1 m (standard)
3	3 m (option)

How to order a stopper set

- Set of a stopper and stroke adjusting stopper or shock absorber stopper
- Use it when changing from the standard to the stroke adjusting stopper or shock absorber stopper.



A Stopper	
S	Stroke adjusting stopper
A	Shock absorber stopper
B Stopper installation position *1	
1	Stopper position for ① or ④
2	Stopper position for ② or ③
C Port on the stopper	
Blank	Without port
D	With side and bottom ports
D Adjustable stroke length *2/*3	
Blank	Adjustable stroke range 5 mm
S02	Adjustable stroke range 15 mm
S03	Adjustable stroke range 25 mm

- *1: When installing in the stopper mounting position ① or ②, the stroke causes changes in the adjustable stroke length; see the table below.
*2: $\phi 6$ and $\phi 8$ are not available for S03.
*3: Cannot be selected for the shock absorber stopper "A".

Note) Bottom port is plug-sealed.
When using the bottom port with $\phi 20$ and 25 , buy a plug kit (LCR-20-N 2 pieces/set) and seal the side surface ports before using.

Precautions when purchasing the stopper set

When the stopper set is installed in the mounting position ① or ② (refer to page 60), note that the adjustable stroke length will be as shown on the right according to the stroke length.

—: Not applicable

Model No. code	Option code		Discrete stroke adjusting stopper		
	Bore size	Stroke length	Adjustable stroke length (mm)		
			-5	-15	-25
LCR Series	$\phi 6, \phi 8$	10	S02	—	—
		20 or more	Blank	S02	—
	$\phi 12$ to $\phi 25$	10	S03	—	—
		20	S02	S03	—
	30 or more	Blank	S02	S03	

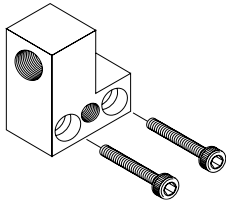
● Stopper set weight

(Unit: g)

Stopper	S1,S2			A1,A2
Port on the stopper	Blank, D			
Adjustable stroke length	Blank	S02	S03	Blank
$\phi 6$	15	18	—	18
$\phi 8$	21	25	—	27
$\phi 12$	28	31	34	33
$\phi 16$	42	47	52	49
$\phi 20$	77	85	92	86
$\phi 25$	87	94	101	95

How to order discrete stopper bracket

- Used when changing between □ 1 (□ 3) and □ 2 (□ 4) or when changing to the stopper with port.
□ :SA



LCR - 12 - STB 1 D

Bore size
(Item ① on page 60)

A Stopper installation position	
1	For stopper position ① or ④
2	For stopper position ② or ③

B Port on the stopper	
Blank	Without port
D	With side and bottom ports

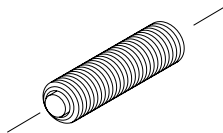
Note) Bottom port is plug-sealed.
When using the bottom port with $\phi 20$ and 25 , buy a plug kit (LCR-20-N 2 pieces/set) and seal the side surface ports before using.

- Stopper bracket weight (Unit: g)

Stopper installation position	1,2
Port on the stopper	Blank, D
$\phi 6$	8
$\phi 8$	14
$\phi 12$	20
$\phi 16$	29
$\phi 20$	53
$\phi 25$	62

How to order discrete stroke adjusting stopper

- Hexagon socket set screw with urethane
- Use when changing the adjustable stroke range or when using a custom stroke length.



LCR - 12 - S02

Bore size
(Item ① on page 60)

A Adjustable stroke range	
S01	Single side 5 mm (standard)
S02	Single side 15 mm
S03	Single side 25 mm

Specify S01, S02 or S03 in ①.
Note: S03 is not available for $\phi 6$ and $\phi 8$.
Some models may not be available and adjustable stroke range may differ from the above depending on the model No.

Precautions when purchasing discrete stopper

When a discrete stroke adjusting stopper or a discrete shock absorber stopper is installed in the ① or ② position (refer to page 60), the combination will be as shown on the right according to the stroke length and adjustable stroke length.

Model No. code	Option code		Discrete stroke adjusting stopper			Discrete shock absorber stopper
			Adjustable stroke length (mm)			
	Bore size	Stroke length	-5	-15	-25	
LCR Series -S1, S2, S5, S6 -A1, A2, A5, A6	$\phi 6, \phi 8$	10	S02	—	—	—
		20 or more	S01	S02	—	A01
	$\phi 12$ to $\phi 25$	10	S03	—	—	—
		20	S02	S03	—	—
		30 or more	S01	S02	S03	A01

— : Not available

- Discrete stroke adjusting stopper weight (Unit: g)

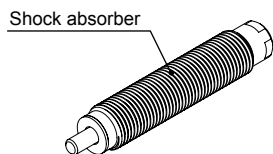
Adjustable stroke range	S01	S02	S03
$\phi 6$	6	9	—
$\phi 8$	7	10	—
$\phi 12$	7	11	14
$\phi 16$	11	16	22
$\phi 20$	22	30	37
$\phi 25$	23	30	37

- LCM
- LCR
- LCG
- LCW
- LCX
- STM
- STG
- STS/STL
- STR2
- UCA2
- ULK*
- JSK/M2
- JSG
- JSC3/JSC4
- USSD
- UFCD
- USC
- UB
- JSB3
- LMB
- LML
- HCM
- HCA
- LBC
- CAC4
- UCAC2
- CAC-N
- UCAC-N
- RCS2
- RCC2
- PCC
- SHC
- MCP
- GLC
- MFC
- BBS
- RRC
- GRC
- RV3*
- NHS
- HRL
- LN
- Hand
- Chuk
- MechHnd/Chuk
- ShkAbs
- FJ
- FK
- SpdContr
- Ending

- LCM
- LCR**
- LCG
- LCW
- LCX
- STM
- STG
- STS/STL
- STR2
- UCA2
- ULK*
- JSK/M2
- JSG
- JSC3/JSC4
- USSD
- UFCD
- USC
- UB
- JSB3
- LMB
- LML
- HCM
- HCA
- LBC
- CAC4
- UCAC2
- CAC-N
- UCAC-N
- RCS2
- RCC2
- PCC
- SHC
- MCP
- GLC
- MFC
- BBS
- RRC
- GRC
- RV3*
- NHS
- HRL
- LN
- Hand
- Chuk
- MecHnd/Chuk
- ShkAbs
- FJ
- FK
- SpdContr
- Ending

How to order discrete shock absorber stopper

- Shock absorber set
- Use when changing from the stroke adjusting stopper or shock absorber stopper.



LCR - 12 - A01

Bore size
(Item A on page 60)

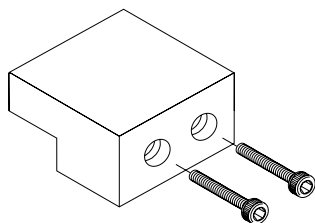
Note: Some models may not be available depending on the specifications. Refer to page 60. For the adjustable stroke range with a shock absorber stopper, refer to page 82.

Applicable shock absorber model No.

Model	Shock absorber model No.	Weight (g)
LCR-6	SKL-0804	9
LCR-8	SKL-0805	12
LCR-12	SKL-0805	12
LCR-16	SKL-1006	19
LCR-20	SKL-1208	31
LCR-25	SKL-1208	31

How to order discrete stopper block

- Use it when changing from the standard to the stroke adjusting stopper or shock absorber stopper.



LCR - 12 - SB1 T

Bore size
(Item A on page 60)

A Stopper block	
SB1	ø6/ø8: For 30 mm stroke length or less
	ø12 to ø25: For 50 mm stroke length or less
SB2	ø6/ø8: For 40 mm stroke length or more
	ø12 to ø25: For 75 mm stroke length or more
B Material	
Blank	Stopper block material: steel
T	Stopper block material: steel (nitriding)

- Discrete stopper block weight (Unit: g)

Block	SB1(T)	SB2(T)
ø6	11	21
ø8	14	24
ø12	23	37
ø16	38	72
ø20	60	99
ø25	112	206

Model No. of plug kit for side piping port

LCR - 12 - N (2/set)

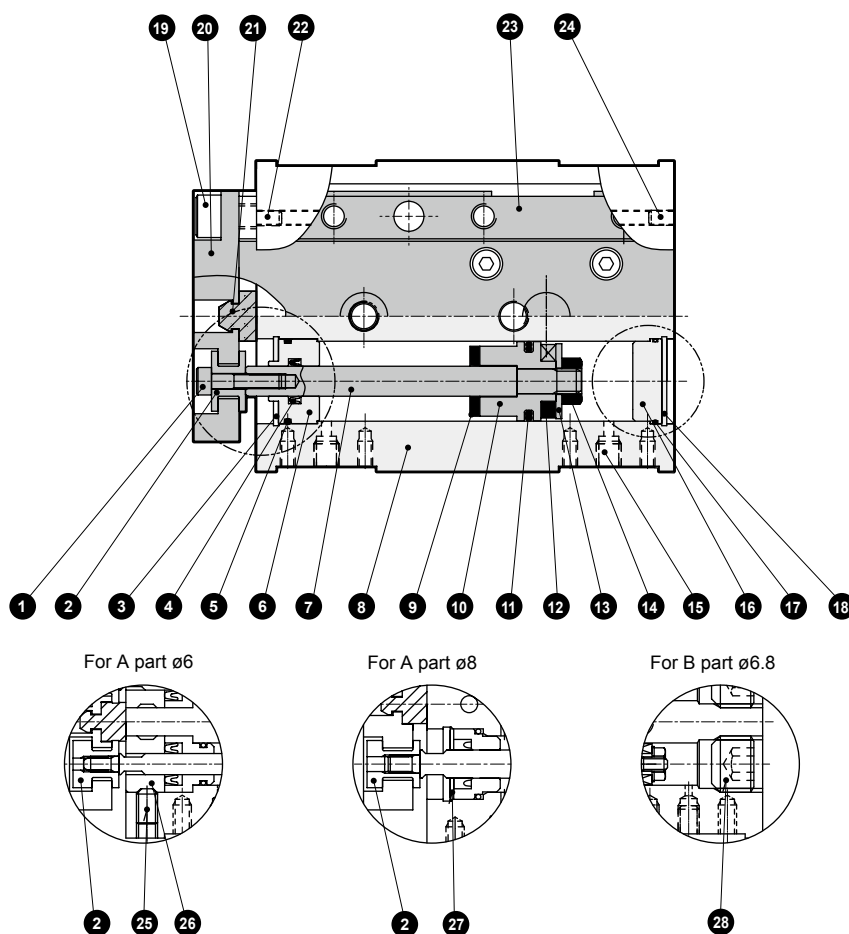
Bore size
(Item A on page 60)

- Weight of plug kit for side piping port

Bore size	Weight (g)
ø8	1
ø12	1
ø16	1
ø20	5

Internal structure and parts list

● LCR



Parts list

No.	Part name	Material	Remarks	No.	Part name	Material	Remarks
1	Hexagon socket head cap screw	Alloy steel	Zinc chromate	16	Cover	Aluminum alloy	Chromate
2	Floating bush	Stainless steel		17	Cover gasket	Nitrile rubber	
3	C type snap ring	Steel	ø8 to 25 only	18	C type snap ring	Steel	ø12 to 25 only
4	Rod packing	Nitrile rubber		19	Hexagon socket head cap screw	Alloy steel	Zinc chromate
5	Metal gasket	Nitrile rubber		20	End plate	Aluminum alloy	Alumite
6	Rod metal	Aluminum alloy	Alumite	21	Cushion rubber (H)	Urethane rubber	
7	Piston rod	Stainless steel		22	Hexagon socket set screw	Stainless steel	
8	Cylinder body	Aluminum alloy	Hard alumite	23	Table	Aluminum alloy	Alumite
9	Cushion rubber (R)	Urethane rubber		24	Plug	Stainless steel	ø6 to ø20
10	Piston	Aluminum alloy	Chromate	24	Plug	Steel	ø25
11	Piston packing	Nitrile rubber		25	Hexagon socket set screw	Stainless steel	ø6 only
12	Magnet	Plastic		26	Rod metal A	Aluminum alloy	
13	Plain washer	Stainless steel		27	Cap	Stainless steel	
14	Hexagon nut	Stainless steel		28	Hexagon socket set screw	Alloy steel	Zinc chromate
15	Plug	Stainless steel	ø6 to ø16				
		Steel	ø20 to ø25				

Repair parts list

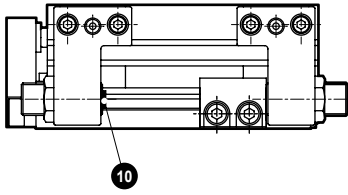
Bore size (mm)	Kit No.	Repair parts No.
ø6	LCR-6K	
ø8	LCR-8K	
ø12	LCR-12K	● 4 ● 5 ● 9
ø16	LCR-16K	● 11 ● 17 ● 21
ø20	LCR-20K	
ø25	LCR-25K	

LCM
LCR
 LCG
 LCW
 LCX
 STM
 STG
 STS/STL
 STR2
 UCA2
 ULK*
 JSK/M2
 JSG
 JSC3/JSC4
 USSD
 UFCD
 USC
 UB
 JSB3
 LMB
 LML
 HCM
 HCA
 LBC
 CAC4
 UCAC2
 CAC-N
 UCAC-N
 RCS2
 RCC2
 PCC
 SHC
 MCP
 GLC
 MFC
 BBS
 RRC
 GRC
 RV3*
 NHS
 HRL
 LN
 Hand
 Chuk
 MechHnd/Chuk
 ShkAbs
 FJ
 FK
 SpdContr
 Ending

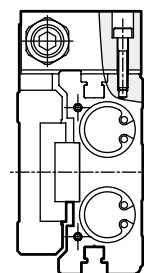
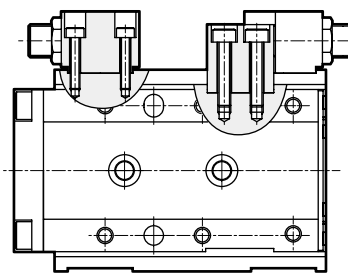
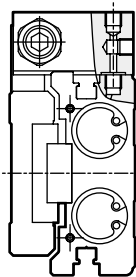
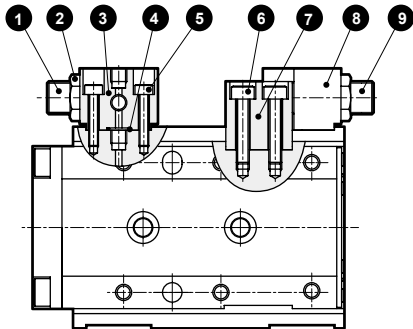
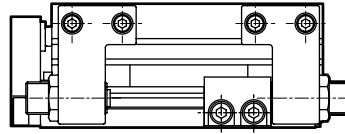
Internal structure and parts list

Structure with stopper

● Type with port on stopper side and bottom (code D)



● Without port on the stopper



Parts list

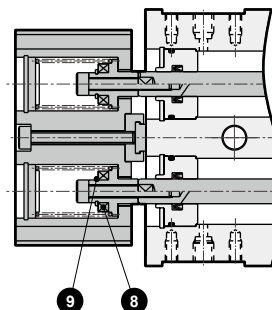
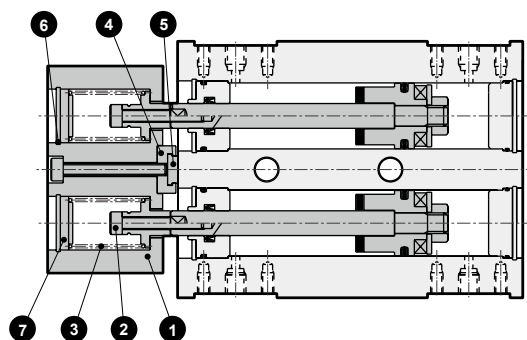
No.	Part name	Material	Remarks	No.	Part name	Material	Remarks
1	Stopper bolt	Alloy steel	Nickeling	7	Stopper block (Stopper block code: Blank)	Steel	Nickeling
2	Hexagon nut	Alloy steel	Nickeling		Stopper block (Stopper block code: T)	Steel	Nitriding
3	Stopper A	Aluminum alloy	Alumite	8	Stopper B	Aluminum alloy	Alumite
4	Gasket	Urethane rubber		9	Stopper bolt	Alloy steel	Nickeling
5	Hexagon socket head cap screw	Alloy steel	Zinc chromate	10	Cushion rubber	Urethane rubber	
6	Hexagon socket head cap screw	Alloy steel	Zinc chromate				

Structure diagram with buffer

LCR-**-*-B*

● With buffer, without switch groove

● With buffer, with switch groove



Parts list

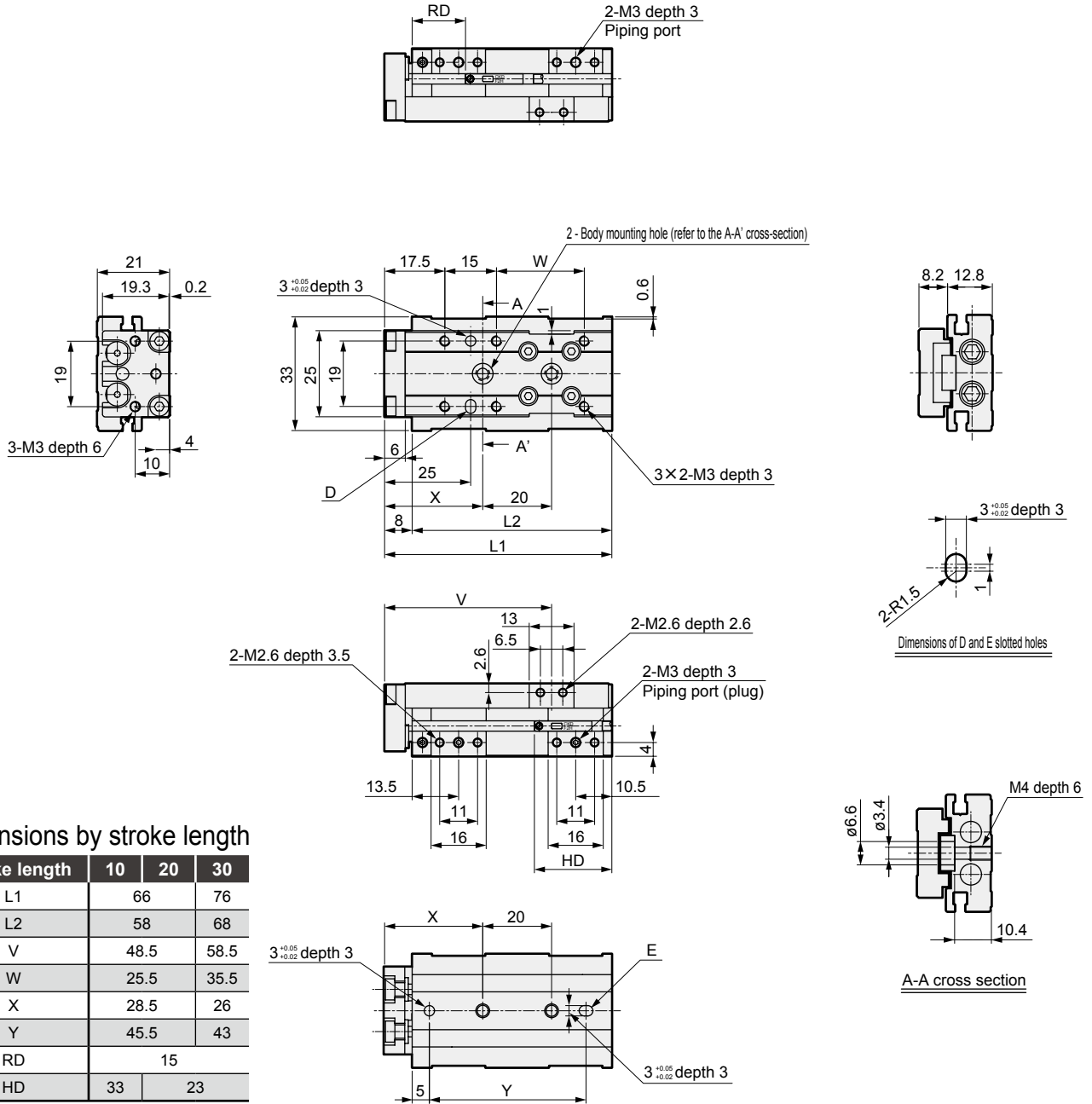
No.	Part name	Material	Remarks	No.	Part name	Material	Remarks
1	End plate	Aluminum alloy	Alumite	6	C type snap ring	Steel	
2	Hexagon socket head cap screw	Alloy steel	Zinc chromate	7	Cover	Aluminum alloy	Chromate
3	Coil spring	Steel		8	Magnet	Plastic	
4	Stopper	ø6: Stainless steel ø8 to 25: Aluminum alloy		9	E-ring	ø6 to 12: Stainless steel ø16 to 25: Steel	
5	Cushion rubber	Urethane rubber					

- LCM
- LCR**
- LCG
- LCW
- LCX
- STM
- STG
- STS/STL
- STR2
- UCA2
- ULK*
- JSK/M2
- JSG
- JSC3/JSC4
- USSD
- UFCD
- USC
- UB
- JSB3
- LMB
- LML
- HCM
- HCA
- LBC
- CAC4
- UCAC2
- CAC-N
- UCAC-N
- RCS2
- RCC2
- PCC
- SHC
- MCP
- GLC
- MFC
- BBS
- RRC
- GRC
- RV3*
- NHS
- HRL
- LN
- Hand
- Chuk
- MechHnd/Chuk
- ShkAbs
- FJ
- FK
- SpdContr
- Ending



Dimensions (bore size: $\phi 6$)

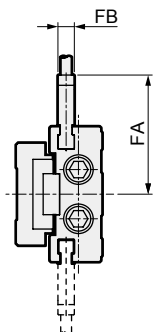
- LCR-6
Stroke length: 10, 20, 30
(Body mounting hole in the figure shows 20 mm stroke length)



Dimensions by stroke length

Stroke length	10	20	30
L1	66	76	
L2	58	68	
V	48.5	58.5	
W	25.5	35.5	
X	28.5	26	
Y	45.5	43	
RD		15	
HD	33	23	

- Dimensions of protruding section when the F2S or F3S cylinder switch is mounted



Stroke length	10	20	30
FA		29.1	
FB		4	
RD		14	
HD	34	24	

*1: When using a positioning hole, use a pin of dimensions that do not require press fitting.
The recommended tolerance of a pin is JIS tolerance m6 or less.

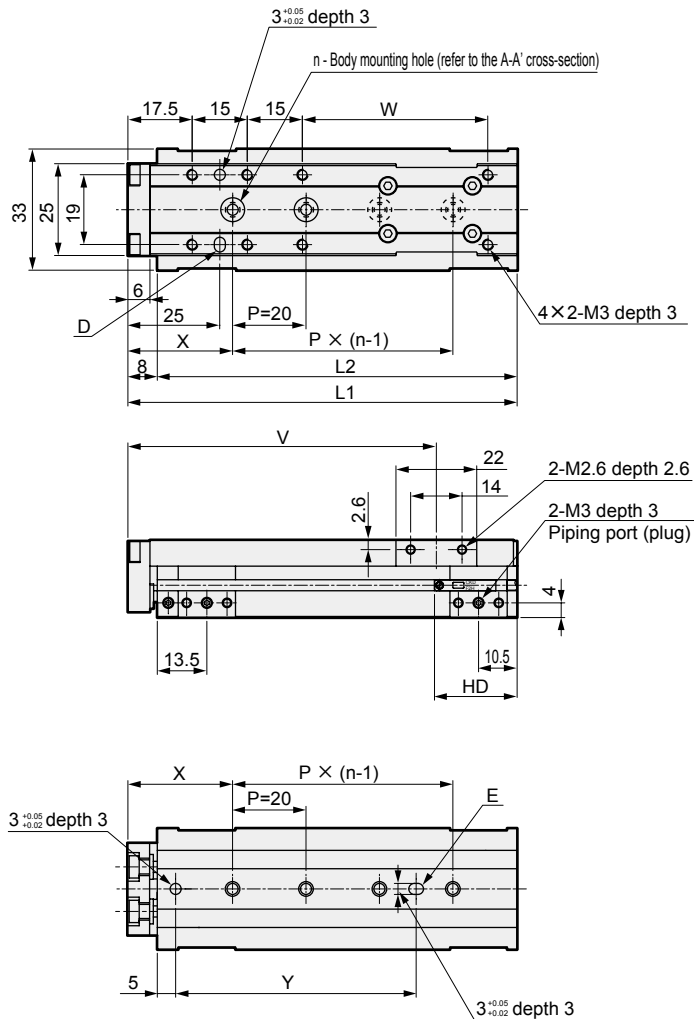
Dimensions (bore size: $\phi 6$)



● LCR-6

Stroke length: 40, 50

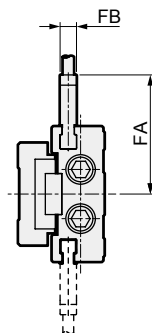
(Body mounting hole in the figure shows 50 mm stroke length)



Dimensions by stroke length

Stroke length	40	50
L1	96	106
L2	88	98
n	3	4
V	74	84
W	40.5	50.5
X	27	28.5
Y	44	65.5
RD	15	
HD	33	

● Dimensions of protruding section when the F2S or F3S cylinder switch is mounted



Stroke length	40	50
FA	29.1	
FB	4	
RD	14	
HD	34	

*1: When using a positioning hole, use a pin of dimensions that do not require press fitting.
The recommended tolerance of a pin is JIS tolerance m6 or less.

- LCM
- LCR**
- LCG
- LCW
- LCX
- STM
- STG
- STS/STL
- STR2
- UCA2
- ULK*
- JSK/M2
- JSG
- JSC3/JSC4
- USSD
- UFCD
- USC
- UB
- JSB3
- LMB
- LML
- HCM
- HCA
- LBC
- CAC4
- UCAC2
- CAC-N
- UCAC-N
- RCS2
- RCC2
- PCC
- SHC
- MCP
- GLC
- MFC
- BBS
- RRC
- GRC
- RV3*
- NHS
- HRL
- LN
- Hand
- Chuk
- MechHnd/Chuk
- ShkAbs
- FJ
- FK
- SpdContr
- Ending

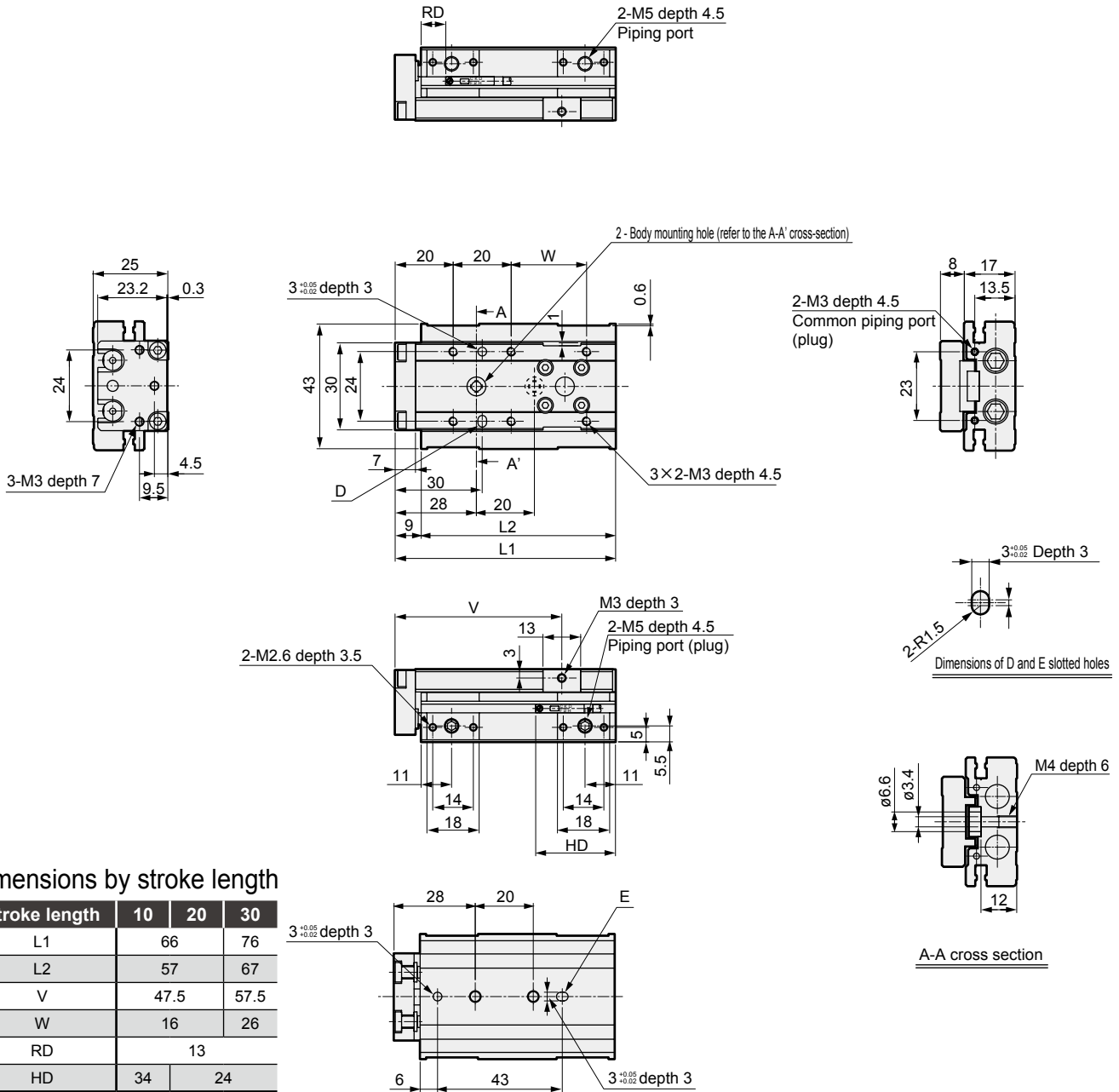


Dimensions (bore size: $\varnothing 8$)

● LCR-8

Stroke length: 10, 20, 30

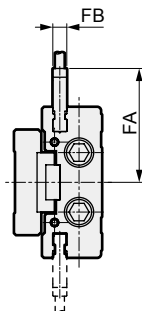
(Body mounting hole in the figure shows 30 mm stroke length)



Dimensions by stroke length

Stroke length	10	20	30
L1	66	76	
L2	57	67	
V	47.5	57.5	
W	16	26	
RD	13		
HD	34	24	

● Dimensions of protruding section when the F2S or F3S cylinder switch is mounted



Stroke length	10	20	30
FA	32.6		
FB	4		
RD	12		
HD	35	25	

*1 : When using a positioning hole, use a pin of dimensions that do not require press fitting. The recommended tolerance of a pin is JIS tolerance m6 or less.

*2 : When using rear piping, refer to the cautions of

1. Common; when piping on page 131.

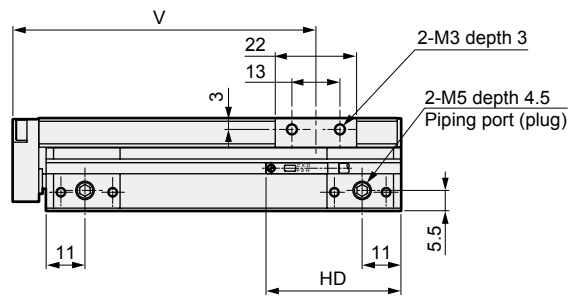
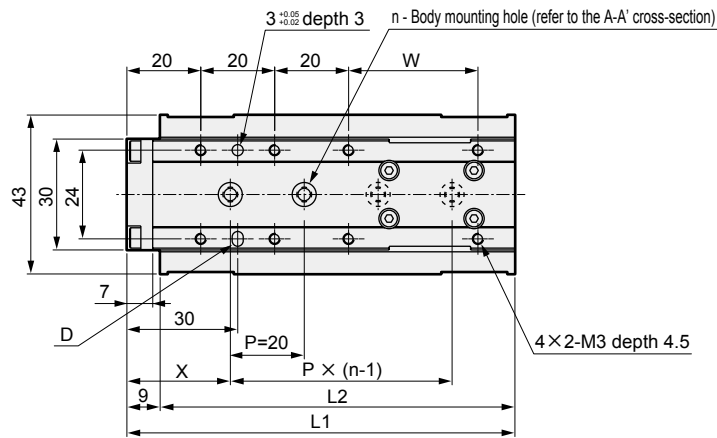
Dimensions (bore size: $\varnothing 8$)



● LCR-8

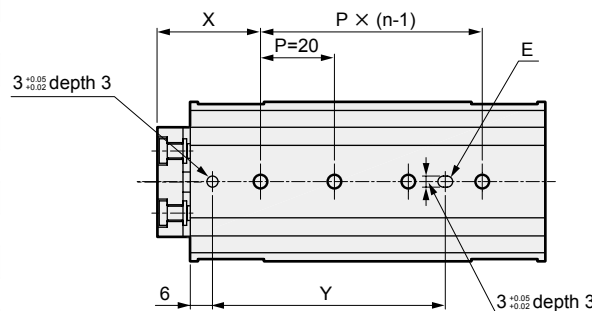
Stroke length: 40, 50, 75

(Body mounting hole in the figure shows 50 mm stroke length)

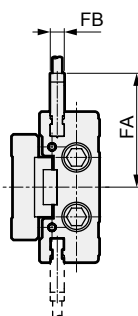


Dimensions by stroke length

Stroke length	40	50	75
L1	95	105	130
L2	86	96	121
n	3	4	5
V	72	82	107
W	25	35	60
X	26.5	28	25
Y	41.5	63	80
RD	13		
HD	33		



● Dimensions of protruding section when the F2S or F3S cylinder switch is mounted



Stroke length	40	50	75
FA	32.6		
FB	4		
RD	12		
HD	34		

*1 : When using a positioning hole, use a pin of dimensions that do not require press fitting.
The recommended tolerance of a pin is JIS tolerance m6 or less.

*2 : When using rear piping, refer to the cautions of 1. Common; when piping on page 131.

- LCM
- LCR**
- LCG
- LCW
- LCX
- STM
- STG
- STS/STL
- STR2
- UCA2
- ULK*
- JSK/M2
- JSG
- JSC3/JSC4
- USSD
- UFCD
- USC
- UB
- JSB3
- LMB
- LML
- HCM
- HCA
- LBC
- CAC4
- UCAC2
- CAC-N
- UCAC-N
- RCS2
- RCC2
- PCC
- SHC
- MCP
- GLC
- MFC
- BBS
- RRC
- GRC
- RV3*
- NHS
- HRL
- LN
- Hand
- Chuk
- MechHnd/Chuk
- ShkAbs
- FJ
- FK
- SpdContr
- Ending

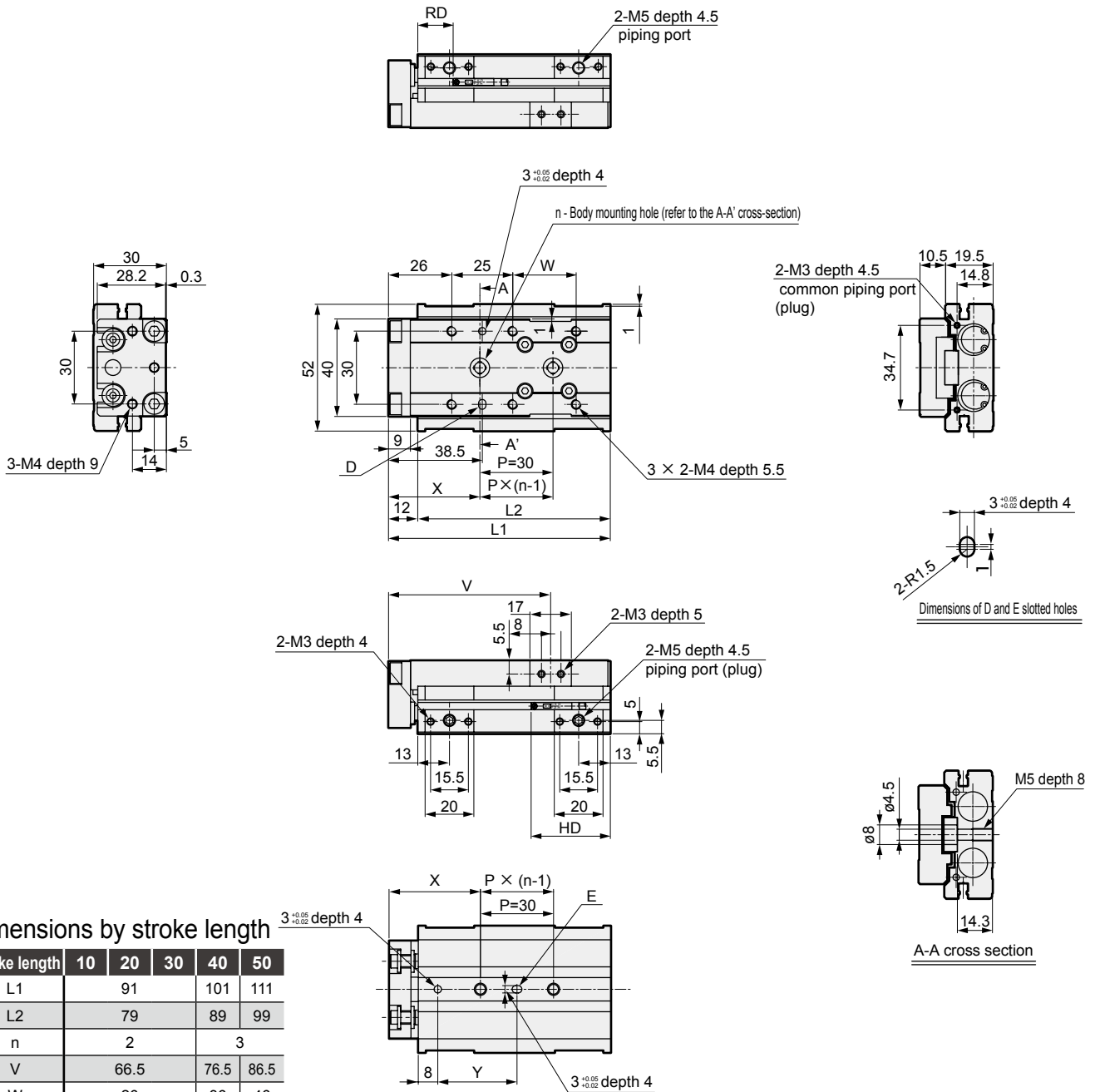
Dimensions (bore size: $\phi 12$)



● LCR-12

Stroke: 10, 20, 30, 40, 50

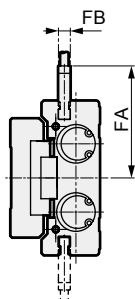
(Body mounting hole in the figure shows 30 mm stroke length)



Dimensions by stroke length

Stroke length	10	20	30	40	50
L1		91	101	111	
L2		79	89	99	
n		2		3	
V		66.5	76.5	86.5	
W		26	36	46	
X		37.5	36	32	
Y		32.5	31	57	
RD		16.5			
HD	52.5	42.5		32.5	

● Dimensions of protruding section when the F2S or F3S cylinder switch is mounted



Stroke length	10	20	30	40	50
FA			37.8		
FB			4		
RD			15.5		
HD	53.5	43.5		33.5	

- *1 : When using a positioning hole, use a pin of dimensions that do not require press fitting. The recommended tolerance of a pin is JIS tolerance m6 or less.
- *2 : When using rear piping, refer to the cautions of 1. Common; when piping on on page 131.

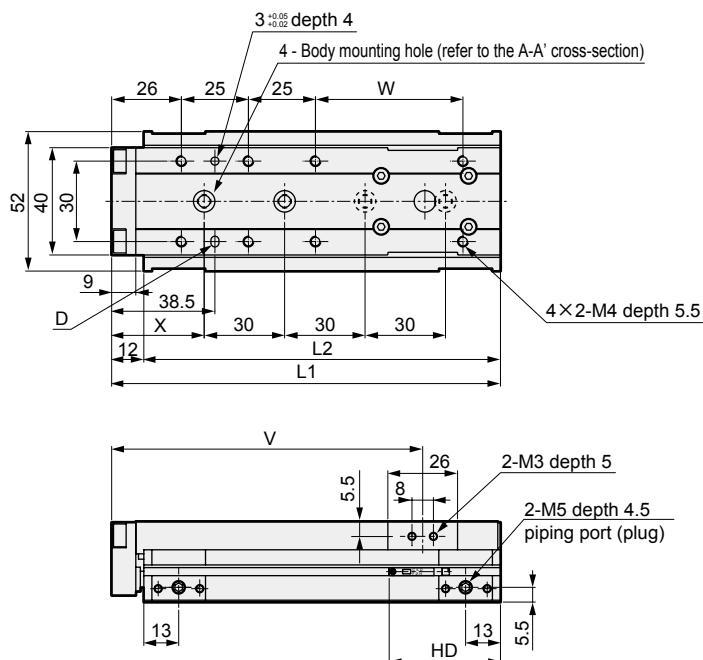
Dimensions (bore size: $\phi 12$)



● LCR-12

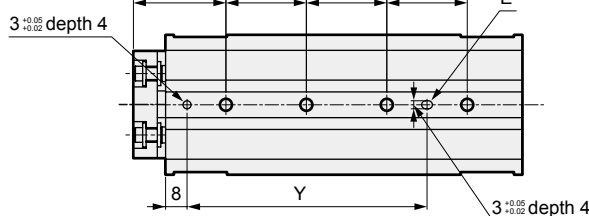
Stroke length: 75, 100

(Body mounting hole in the figure shows 75 mm stroke length)

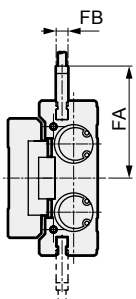


Dimensions by stroke length

Stroke length	75	100
L1	145	170
L2	133	158
V	116	141
W	55	80
X	34.5	47
Y	89.5	102
RD	16.5	
HD	41.5	



● Dimensions of protruding section when the F2S or F3S cylinder switch is mounted



Stroke length	75	100
FA	37.8	
FB	4	
RD	15.5	
HD	42.5	

*1 : When using a positioning hole, use a pin of dimensions that do not require press fitting. The recommended tolerance of a pin is JIS tolerance m6 or less.

*2 : When using rear piping, refer to the cautions of

1. Common; when piping on page 131.

LCM
LCR
LCG
LCW
LCX
STM
STG
STS/STL
STR2
UCA2
ULK*
JSK/M2
JSG
JSC3/JSC4
USSD
UFCD
USC
UB
JSB3
LMB
LML
HCM
HCA
LBC
CAC4
UCAC2
CAC-N
UCAC-N
RCS2
RCC2
PCC
SHC
MCP
GLC
MFC
BBS
RRC
GRC
RV3*
NHS
HRL
LN
Hand
Chuk
MechHnd/Chuk
ShkAbs
FJ
FK
SpdContr
Ending

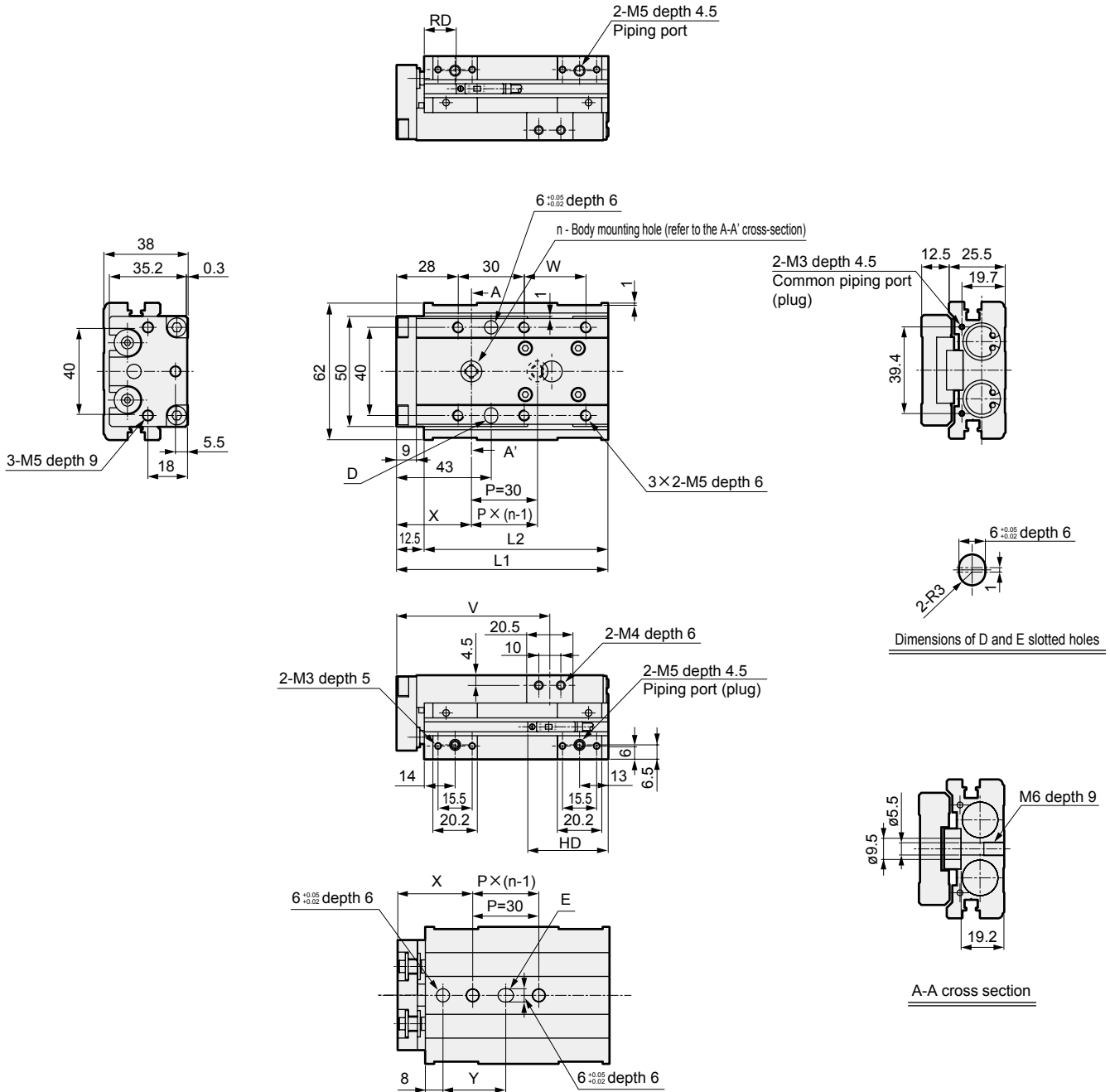


Dimensions (bore size: $\phi 16$)

● LCR-16

Stroke: 10, 20, 30, 40, 50

(Body mounting hole in the figure shows 30 mm stroke length)



Dimensions by stroke length

Stroke length	10	20	30	40	50
L1		96	106	116	
L2		83.5	93.5	103.5	
n		2		3	
V		69.8	79.8	89.8	
W		28	38	48	
X		34	45.5	35.5	
Y		28.5	40	60	
T0/5*	RD	17			
T2/3*	HD	56.5	46.5	36.5	
T2/3W*	RD	19.5			
	HD	54	44	34	

*1 : When using a positioning hole, use a pin of dimensions that do not require press fitting. The recommended tolerance of a pin is JIS tolerance m6 or less.

*2 : When using rear piping, refer to the cautions of

1. Common; when piping on page 131.

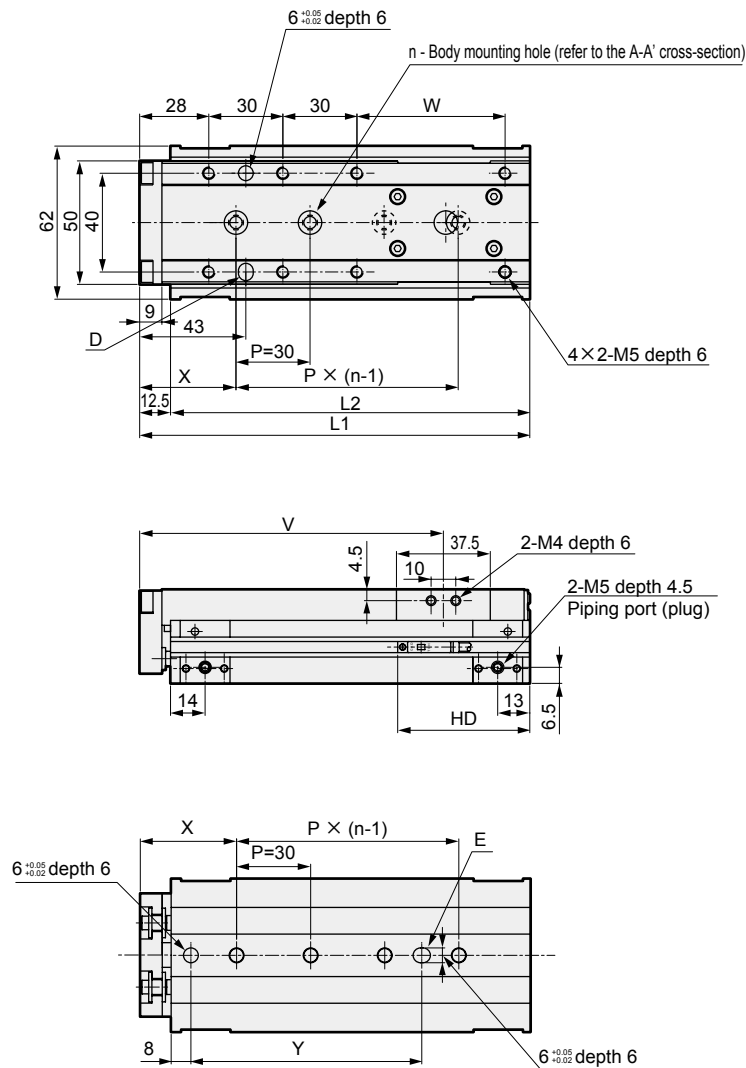
Dimensions (bore size: $\varnothing 16$)



● LCR-16

Stroke length: 75, 100, 125

(Body mounting hole in the figure shows 75 mm stroke length)



Dimensions by stroke length

Stroke length	75	100	125
L1	158	183	208
L2	145.5	170.5	195.5
n	4	5	
V	123.3	148.3	173.3
W	60	85	110
X	39	37	49
Y	93.5	121.5	133.5
T0/5*	RD	17	
	HD	53.5	
T2/3*	RD	19.5	
	HD	51	

*1 : When using a positioning hole, use a pin of dimensions that do not require press fitting.
The recommended tolerance of a pin is JIS tolerance m6 or less.

*2 : When using rear piping, refer to the cautions of [1. Common; when piping](#) on page 131.

LCM
LCR
LCG
LCW
LCX
STM
STG
STS/STL
STR2
UCA2
ULK*
JSK/M2
JSG
JSC3/JSC4
USSD
UFCD
USC
UB
JSB3
LMB
LML
HCM
HCA
LBC
CAC4
UCAC2
CAC-N
UCAC-N
RCS2
RCC2
PCC
SHC
MCP
GLC
MFC
BBS
RRC
GRC
RV3*
NHS
HRL
LN
Hand
Chuk
MechHnd/Chuk
ShkAbs
FJ
FK
SpdContr
Ending

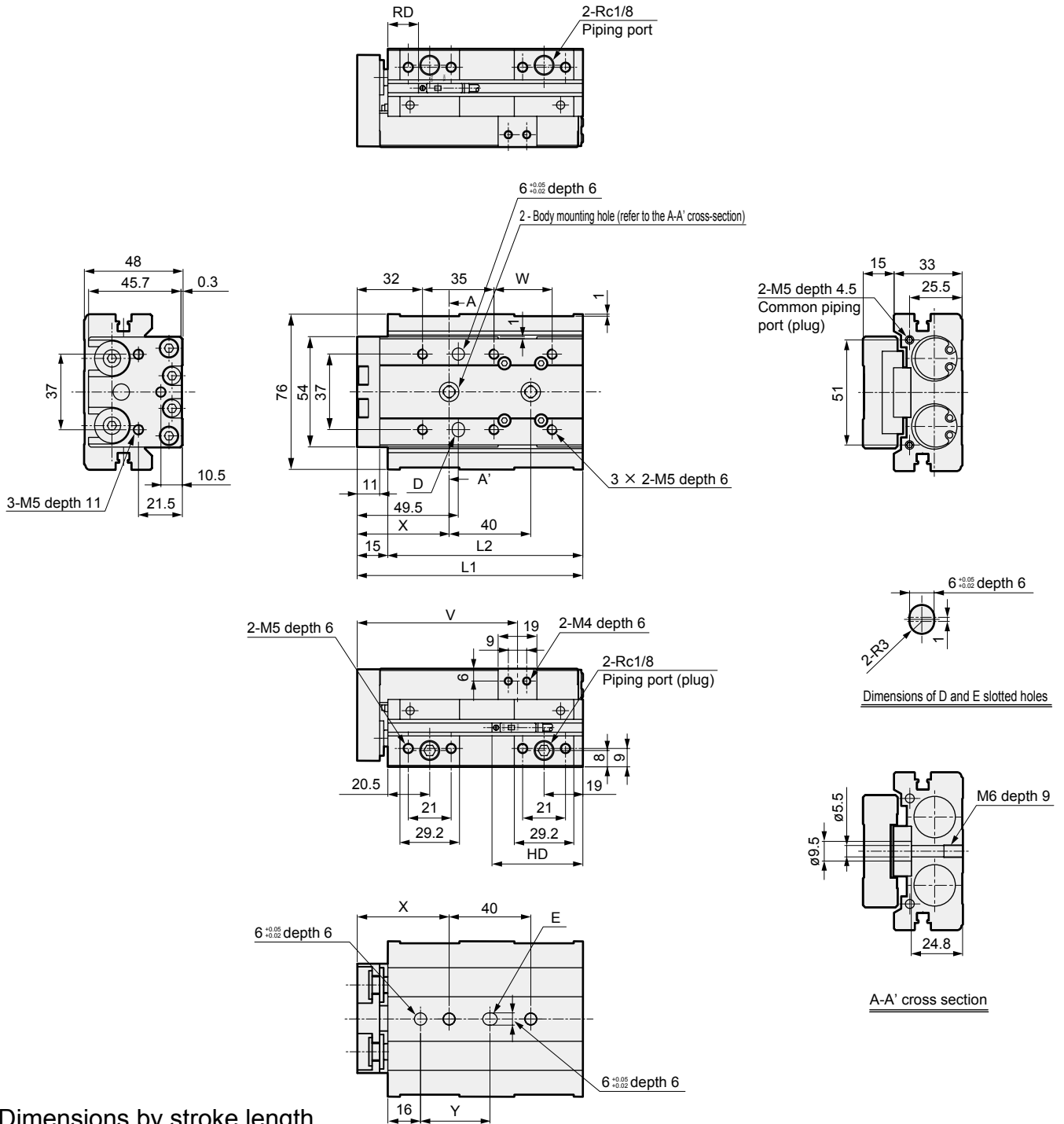


Dimensions (bore size: $\varnothing 20$)

● LCR-20

Stroke: 10, 20, 30, 40, 50

(Body mounting hole in the figure shows 30 mm stroke length)



Dimensions by stroke length

Stroke length	10	20	30	40	50
L1		110.5	120.5	130.5	
L2		95.5	105.5	115.5	
V		78.5	88.5	98.5	
W		28.5	38.5	48.5	
X		45	51	49	
Y		34	40	38	
T0/5*	RD	20.5			
T2/3*	HD	65	55	45	
T2/3W*	RD	22			
	HD	63	53	43	

*1 : When using a positioning hole, use a pin of dimensions that do not require press fitting. The recommended tolerance of a pin is JIS tolerance m6 or less.

*2 : When using rear piping, refer to the cautions of 1. Common; when piping on page 131.

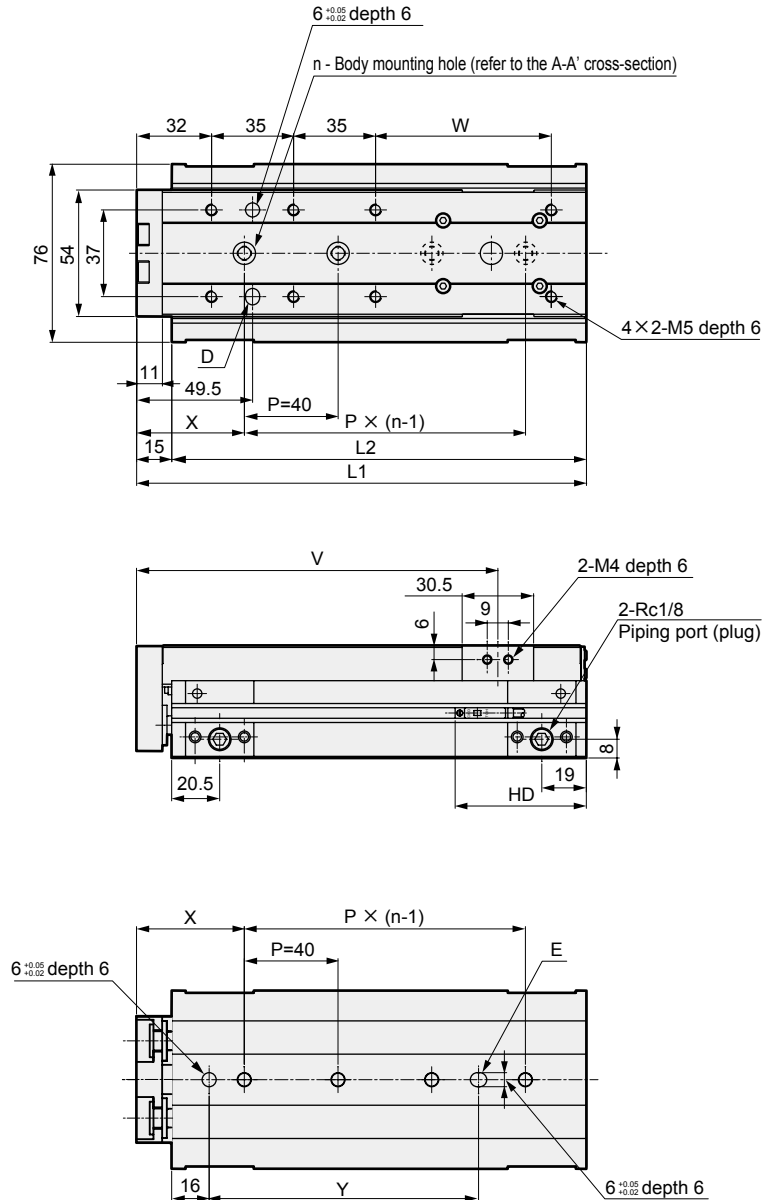
Dimensions (bore size: $\varnothing 20$)



● LCR-20

Stroke length: 75, 100, 125, 150

(Body mounting hole in the figure shows 100 mm stroke length)



Dimensions by stroke length

Stroke length	75	100	125	150
L1	167	192	217	242
L2	152	177	202	227
n	3	4	5	
V	129.3	154.3	179.3	204.3
W	50	75	100	125
X	46	53	51	
Y	75	115	122	160
T0/5*	RD	20.5		
T2/3*	HD	57.5		
T2/3W*	RD	22		
	HD	55.5		

*1 : When using a positioning hole, use a pin of dimensions that do not require press fitting.
The recommended tolerance of a pin is JIS tolerance m6 or less.

*2 : When using rear piping, refer to the cautions of 1. Common; when piping on page 131.

LCM
LCR
LCG
LCW
LCX
STM
STG
STS/STL
STR2
UCA2
ULK*
JSK/M2
JSG
JSC3/JSC4
USSD
UFCD
USC
UB
JSB3
LMB
LML
HCM
HCA
LBC
CAC4
UCAC2
CAC-N
UCAC-N
RCS2
RCC2
PCC
SHC
MCP
GLC
MFC
BBS
RRC
GRC
RV3*
NHS
HRL
LN
Hand
Chuk
MechHnd/Chuk
ShkAbs
FJ
FK
SpdContr
Ending

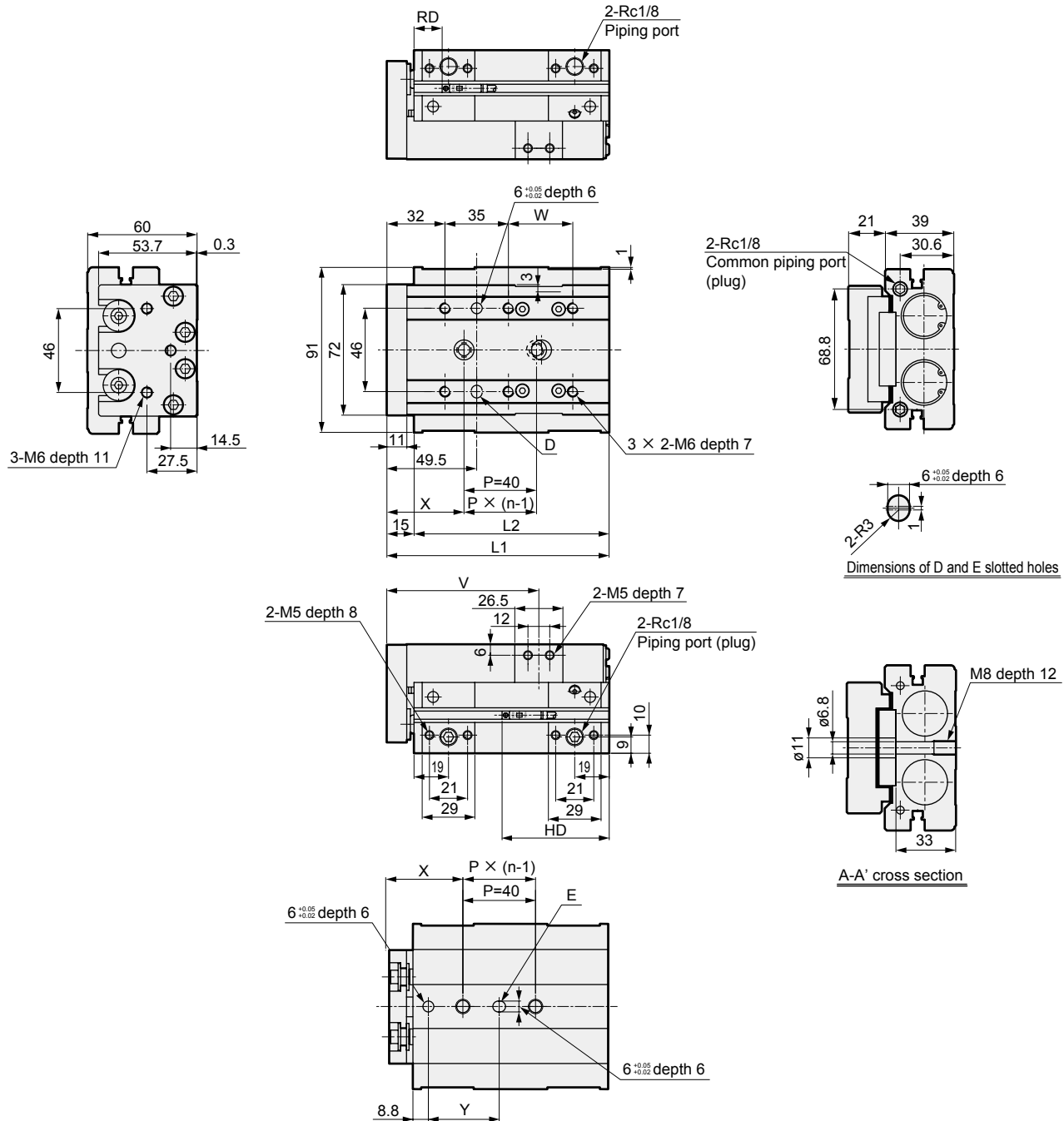


Dimensions (bore size: $\varnothing 25$)

● LCR-25

Stroke: 10, 20, 30, 40, 50

(Body mounting hole in the figure shows 30 mm stroke length)



Dimensions by stroke length

Stroke length	10	20	30	40	50
L1		122.5	132.5	142.5	
L2		107.5	117.5	127.5	
n		2	3	2	
V		83.8	93.8	103.8	
W		35.5	45.5	55.5	
X		42.5	45.5	60.5	
Y		39	42	57	
T0/5*	RD	19			
T2/3*	HD	78.5	68.5	58.5	
T2/3W*	RD	21			
	HD	76.5	66.5	56.5	

*1 : When using a positioning hole, use a pin of dimensions that do not require press fitting.

The recommended tolerance of a pin is JIS tolerance m6 or less.

*2 : When using rear piping, refer to the cautions of

1. Common; when piping on page 131.

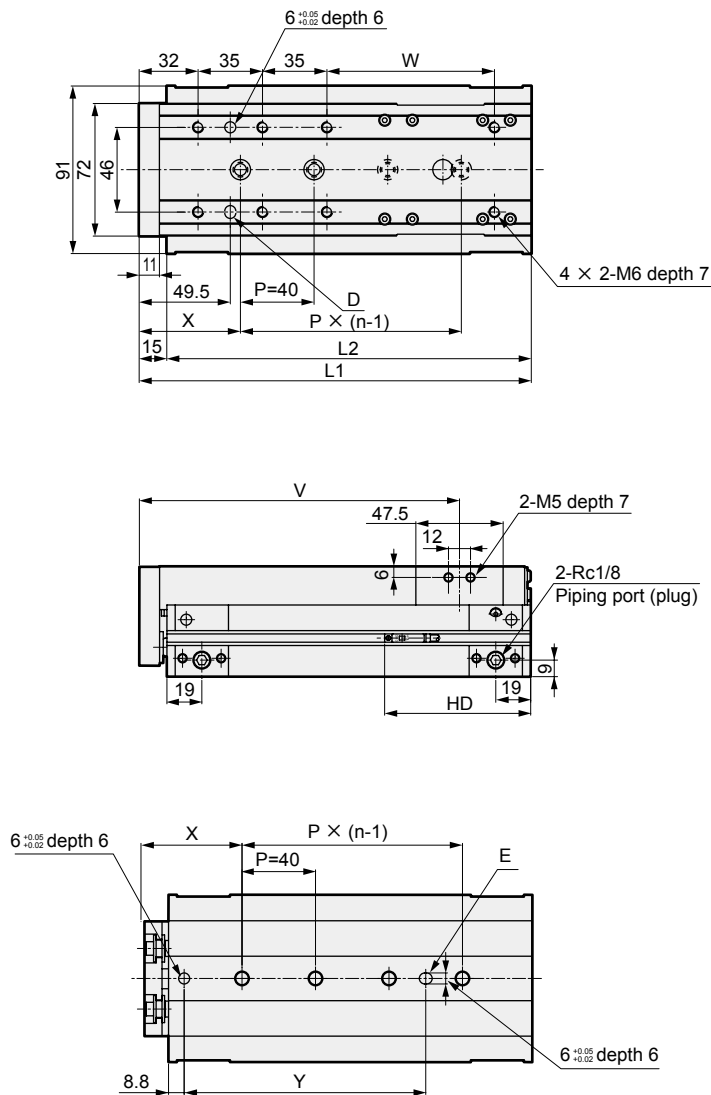
Dimensions (bore size: $\varnothing 25$)



● LCR-25

Stroke length: 75, 100, 125, 150

(Body mounting hole in the figure shows 100 mm stroke length)



Dimensions by stroke length

Stroke length	75	100	125	150
L1	188	213	238	263
L2	173	198	223	248
n	3	4	5	
V	138.8	163.8	188.8	213.8
W	66	91	116	141
X	60	55	45	60
Y	96.5	131.5	161.5	176.5
T0/5*	RD	19		
	HD	79		
T2/3*	RD	21		
	HD	77		

*1 : When using a positioning hole, use a pin of dimensions that do not require press fitting.

The recommended tolerance of a pin is JIS tolerance m6 or less.

*2 : When using rear piping,

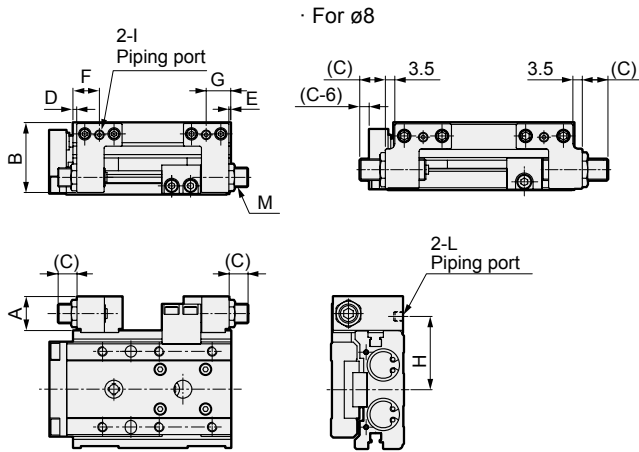
refer to the cautions of

1. Common; when piping on page 131.

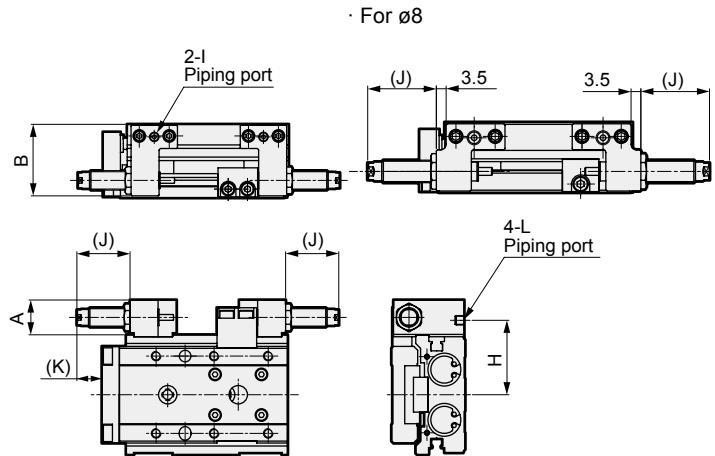
LCM
LCR
LCG
LCW
LCX
STM
STG
STS/STL
STR2
UCA2
ULK*
JSK/M2
JSG
JSC3/JSC4
USSD
UFCD
USC
UB
JSB3
LMB
LML
HCM
HCA
LBC
CAC4
UCAC2
CAC-N
UCAC-N
RCS2
RCC2
PCC
SHC
MCP
GLC
MFC
BBS
RRC
GRC
RV3*
NHS
HRL
LN
Hand
Chuk
MechHnd/Chuk
ShkAbs
FJ
FK
SpdContr
Ending

Dimensions: Option

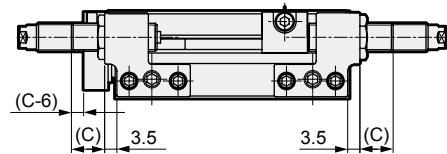
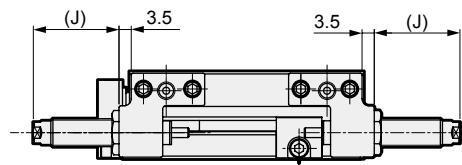
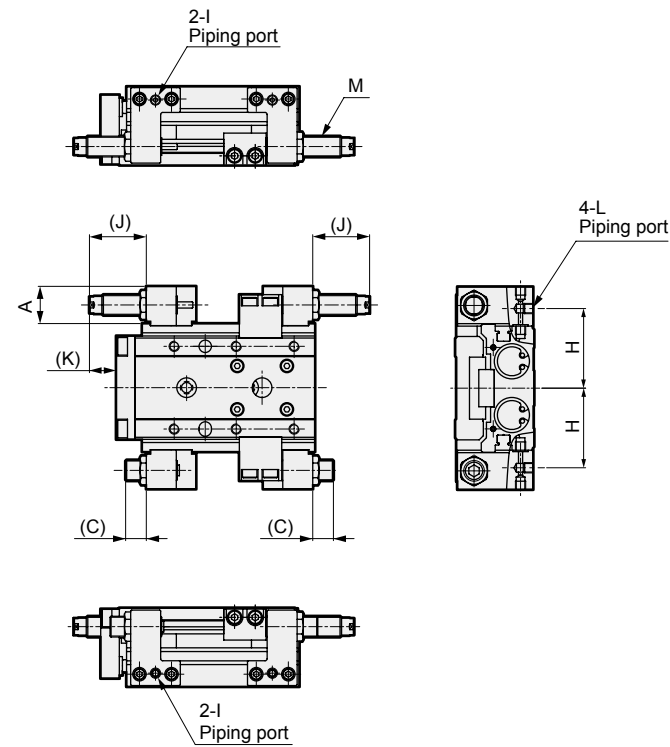
● Stroke adjusting stopper (S1 to S6)



● Shock absorber stopper (A1 to A6)



● Two-sided combined double stopper (W1 to W6)



*1: F, G, H, I and L dimensions are only for the types with port on the stopper (S*D*, A*D*W*, W3** to W6**, C*D*).

2: For one side mixed type stopper mix (C), refer to the stroke adjusting stopper (S*) and shock absorber stopper (A*).

*3: S3** to S6**, A3** to A6**W*, W3** to W6**, C** are not available for the position locking.

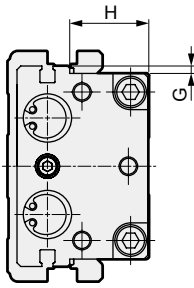
4: Dimension C is that of adjustable stroke range 15 mm for two-sided combined double stopper (W).

Code	Bore size (mm)	A	B	C			D	E	F	G	H	I	J	K	L	Shock absorber stopper adjustable stroke range (one side)	M
				Adjustable stroke range													
				5 mm	15 mm	25 mm											
$\phi 6$	14	19.9	11	21	-	4	1	13.5	10.5	24	M3 depth 3	20.5	9	M3 depth 3	9	M8×0.75	
$\phi 8$	15.6	24.5	9.5	19.5	-	0.5	0.5	11	11	27.3	M5 depth 4	24.5	15.5	M5 depth 4	13.5	M8×0.75	
$\phi 12$	15.5	29	12	22	32	1	1	13	13	31	M5 depth 4	24.5	12	M5 depth 4	14.5	M8×0.75	
$\phi 16$	18	37	10	20	30	2	1	14	13	38.5	M5 depth 4	27.5	14	M5 depth 4	15	M10×1	
$\phi 20$	20.5	45.5	14.5	24.5	34.5	4	2.5	20.5	19	47	Rc1/8	27.5	9.5	M5 depth 4	13	M12×1	
$\phi 25$	20.5	57	11.5	21.5	31.5	2.5	2.5	19	19	54.5	Rc1/8	24.5	8	M5 depth 4	10	M12×1	

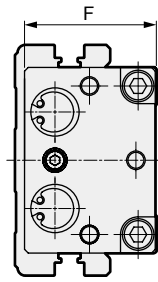
Dimensions: Option



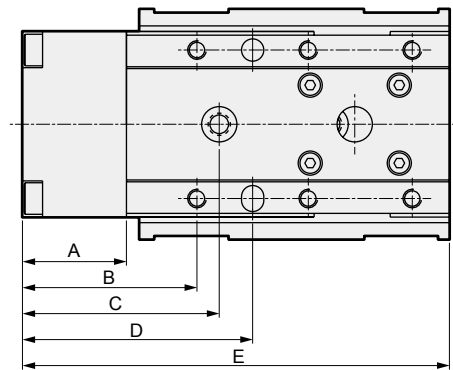
● With buffer (B, BL)



Option code: BL



Option code: B



Code	A	B	C									D
			Stroke length (mm)									
			10	20	30	40	50	75	100	125	150	
ø6	22.5	34	45	45	42.5	43.5	45	-	-	-	-	41.5
ø8	21.5	34.5	42.5	42.5	42.5	41	42.5	39.5	-	-	-	44.5
ø12	27	44	55.5	55.5	55.5	54	50	52.5	65	-	-	56.5
ø16	28	47	53	53	53	64.5	54.5	58	56	68	-	62
ø20	31	52	65	65	65	71	69	66	66	73	71	69.5
ø25	34	55	65.5	65.5	65.5	68.5	83.5	83	78	68	83	72.5

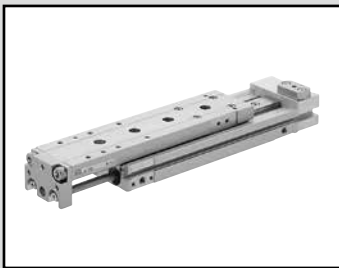
Code	E									F	G	H
	Stroke length (mm)											
	10	20	30	40	50	75	100	125	150			
ø6	82.5	82.5	92.5	112.5	122.5	-	-	-	-	20	3.5	11.2
ø8	80.5	80.5	90.5	109.5	119.5	144.5	-	-	-	23.5	3.2	13.5
ø12	109	109	109	119	129	163	188	-	-	29	3.2	16
ø16	115	115	115	125	135	177	202	227	-	35.5	1	21.3
ø20	130.5	130.5	130.5	140.5	150.5	187	212	237	262	45.5	4	24.5
ø25	145.5	145.5	145.5	155.5	165.5	211	236	261	286	56	-	-

*1 : The dimensions not listed are the same as those of the standard.

*2 : When using rear piping, refer to the cautions of [1. Common; when piping](#) on page 131.

- LCM
- LCR
- LCG
- LCW
- LCX
- STM
- STG
- STS/STL
- STR2
- UCA2
- ULK*
- JSK/M2
- JSG
- JSC3/JSC4
- USSD
- UFCD
- USC
- UB
- JSB3
- LMB
- LML
- HCM
- HCA
- LBC
- CAC4
- UCAC2
- CAC-N
- UCAC-N
- RCS2
- RCC2
- PCC
- SHC
- MCP
- GLC
- MFC
- BBS
- RRC
- GRC
- RV3*
- NHS
- HRL
- LN
- Hand
- Chuk
- MechHnd/Chuk
- ShkAbs
- FJ
- FK
- SpdContr
- Ending

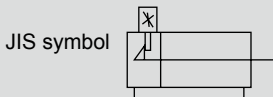
LCM
LCR
 LCG
 LCW
 LCX
 STM
 STG
 STS/STL
 STR2
 UCA2
 ULK*
 JSK/M2
 JSG
 JSC3/JSC4
 USSD
 UFCD
 USC
 UB
 JSB3
 LMB
 LML
 HCM
 HCA
 LBC
 CAC4
 UCAC2
 CAC-N
 UCAC-N
 RCS2
 RCC2
 PCC
 SHC
 MCP
 GLC
 MFC
 BBS
 RRC
 GRC
 RV3*
 NHS
 HRL
 LN
 Hand
 Chuk
 MecHnd/Chuk
 ShkAbs
 FJ
 FK
 SpdContr
 Ending



Linear slide cylinder Double acting/position locking

LCR-Q Series

● Bore size: $\varnothing 8/\varnothing 12/\varnothing 16/\varnothing 20/\varnothing 25$



Specifications

Item		LCR-Q				
Bore size	mm	$\varnothing 8$	$\varnothing 12$	$\varnothing 16$	$\varnothing 20$	$\varnothing 25$
Actuation		Double acting				
Working fluid		Compressed air				
Max. working pressure	MPa	0.7 (≈ 100 psi, 7 bar)				
Min. working pressure	MPa	0.15 (≈ 22 psi, 1.5 bar)				
Proof pressure	MPa	1.05 (≈ 150 psi, 10.5 bar)				
Ambient temperature	$^{\circ}\text{C}$	-10 (14 $^{\circ}\text{F}$) to 60 (140 $^{\circ}\text{F}$) (no freezing)				
Port size	Main body side	M5			Rc1/8	
	Main body back	None				
Stroke tolerance	mm	+2.0 0 (*1)				
Working piston speed	mm/s	50 to 500				
Cushion		With rubber cushion				
Position locking mechanism		Head side				
Holding force	N	At PULL, Max. thrust (at 0.7 MPa (≈ 100 psi, 7 bar)) $\times 0.7$				
Lubrication		Not required (use turbine oil class 1 ISO VG32 if necessary for lubrication)				
Allowable absorbed energy	J	Refer to Table 3 on page 122.				

*1: Note that there will be a slight gap between the end plate and floating bush if no stopper is attached.

*2: The stroke adjusting stopper for 0.3 MPa and over working pressure is the metal sealing.

Stroke length

Bore size (mm)	Standard stroke length (mm)
$\varnothing 8$	10, 20, 30, 40, 50, 75
$\varnothing 12$	10, 20, 30, 40, 50, 75, 100
$\varnothing 16$	10, 20, 30, 40, 50, 75, 100, 125
$\varnothing 20$	10, 20, 30, 40, 50, 75, 100, 125, 150
$\varnothing 25$	10, 20, 30, 40, 50, 75, 100, 125, 150

Note: Products with stroke lengths other than the above are not available.

With buffer specifications Specifications other than the below are same as the above common specifications.

Item		Description				
Bore size	mm	$\varnothing 8$	$\varnothing 12$	$\varnothing 16$	$\varnothing 20$	$\varnothing 25$
Buffer stroke length	mm	4	9		10	
Buffer part	Set	5	10	13	17	21
	spring load	Operating N	8	14	20	25

*1: In the type with buffer, adjusting the rod side stroke length will shorten the buffer stroke length and increase the spring load when set.

*2: Keep the buffer stroke length less than the stroke length above. Otherwise, malfunctions or damage may result.

Theoretical thrust table

Refer to page 123.

Switch specifications

- 1-color/2-color display

Item	Reed 2-wire				Proximity 2-wire		Proximity 3-wire		
	T0H/T0V		T5H/T5V		T2H/T2V	T2WH/T2WV	T3H/T3V	T3PH/T3PV	T3WH/T3WV
Applications	For programmable controller, relay		For programmable controller, relay, IC circuit (without indicator lamp), serial connection		Dedicated for programmable controller		For programmable controller, relay		
Output method	-		-		-		NPN output	PNP output	NPN output
Power supply voltage	-		-		-		10 to 28 VDC		
Load voltage	12/24 VDC	110 VAC	5/12/24 VDC	110 VAC	10 to 30 VDC	24 VDC ±10%	30 VDC or less		
Load current	5 to 50 mA	7 to 20 mA	50 mA or less	20 mA or less	5 to 20 mA		100 mA or less	50 mA or less	
Indicator lamp	LED (Lit when ON)		Without indicator lamp		LED (Lit when ON)	Red/green LED (Lit when ON)	LED (Lit when ON)	Yellow LED (Lit when ON)	Red/green LED (Lit when ON)
Leakage current	0 mA				1 mA or less		10 µA or less		
Weight	g				1 m:18 3 m:49 5 m:80				

Item	Proximity 2-wire		Proximity 3-wire		Proximity 2-wire		Proximity 3-wire		
	F2S		F3S		F2H/F2V	F2YH/F2YV	F3H/F3V	F3PH/F3PV (made to order)	F3YH/F3YV
Applications	Dedicated for programmable controller		For programmable controller, relay		Dedicated for programmable controller		For programmable controller, relay		
Output method	-		NPN output		-		NPN output	PNP output	NPN output
Power supply voltage	-		10 to 28 VDC		-		10 to 28 VDC	4.5 to 28 VDC	10 to 28 VDC
Load voltage	10 to 30 VDC		30 VDC or less		10 to 30 VDC	24 VDC ±10%	30 VDC or less		
Load current	5 to 20 mA		50 mA or less		5 to 20 mA		50 mA or less		
Indicator lamp	LED (Lit when ON)				Yellow LED (Lit when ON)	Red/green LED (Lit when ON)	Yellow LED (Lit when ON)		Red/green LED (Lit when ON)
Leakage current	1 mA or less		10 µA or less		1 mA or less		10 µA or less		
Weight	g		1 m:10 3 m:29						

*1 : Refer to Ending Page 1 for detailed switch specifications and dimensions.

*2 : Switches other than the above models, such as switches with connectors, are also available. Refer to Ending Page 1.

*3 : The max. load current is 20 mA at 25°C. The current is lower than 20 mA if the operating ambient temperature around the switch is higher than 25°C. (5 to 10 mA at 60°C)

*4 : The F type switch uses a bend-resistant lead wire.

Cylinder weight

- Position locking

(Unit: g)

Bore size (mm)	Basic Stroke length (mm)								
	10	20	30	40	50	75	100	125	150
ø8	260	260	280	330	360	420	-	-	-
ø12	415	425	425	465	495	625	715	-	-
ø16	670	680	680	730	790	1,020	1,150	1,290	-
ø20	1,150	1,160	1,170	1,250	1,340	1,640	1,850	2,060	2,270
ø25	2,000	2,020	2,030	2,140	2,240	2,730	3,000	3,270	3,540

- Additional weight of options

(Unit: g)

Bore size (mm)	Option/stopper code		With buffer
	S1/S2	A1/A2	B/BL
ø8	40	50	40
ø12	70	80	70
ø16	110	120	80
ø20	170	180	150
ø25	290	300	320

Specifications for rechargeable battery (Catalog No. CC-1226A)

LCR - ... -

P4*

- Design compatible with rechargeable battery manufacturing process.

* Contact CKD for details.

LCM
LCR
LCG
LCW
LCX
STM
STG
STS/STL
STR2
UCA2
ULK*
JSK/M2
JSG
JSC3/JSC4
USSD
UFCD
USC
UB
JSB3
LMB
LML
HCM
HCA
LBC
CAC4
UCAC2
CAC-N
UCAC-N
RCS2
RCC2
PCC
SHC
MCP
GLC
MFC
BBS
RRC
GRC
RV3*
NHS
HRL
LN
Hand
Chuk
MechHnd/Chuk
ShkAbs
FJ
FK
SpdContr
Ending

LCR-Q Series

How to order

Without switch (built-in magnet for switch)

LCR-Q - 8 - 40 - S202 DTBL

With switch (built-in magnet for switch)

LCR-Q - 12 - 40 - F2H* - R - S202 DTBL

Model No.

A Bore size

B Stroke length

D Switch quantity

F Option

C Switch model No.

E Stopper

⚠ Precautions for model No. selection

- *1 : For the adjustable stroke range with a shock absorber stopper, refer to the stopper dimensions table on page 82.
- *2 : For the port position, refer to the stopper dimensions on page 82.
- *3 : The port position of the standard without stopper is the ① side in the figure below.
- *4 : Combination of the stroke adjusting stopper and shock absorber stopper is made to order.
- *5 : Can be selected for the type with stopper only.
- *6 : A switch for buffer should be purchased separately. Refer to how to order a switch on page 88.
- *7 : Refer to the selection table on page 87 for combinations of options.
- *8 : A1** and A2** of ø8 with 10 mm stroke length or less and ø12 to ø25 with 20 mm stroke length or less are made to order since adjustment is not possible with the standard stopper.
- *9 : Cannot be selected when choosing both-sided combined use (W).
- *10 : The adjustable stroke range when choosing two-sided combined (W) is ø8: 13.5 mm, ø12: 14.5 mm, ø16: 15 mm, ø20: 13 mm, ø25: 10 mm.
- *11 : The stroke adjusting stopper for 0.3 MPa and over working pressure is the metal sealing.

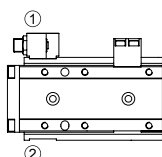
[Example of model No.]

LCR-Q-12-40-F2H-R-A1D

Model: Linear slide cylinder Double acting/position locking LCR-Q

- A** Bore size : ø12
- B** Stroke length : 40 mm
- C** Switch model No. : Proximity/2-wire Axial lead wire
- D** Switch quantity : 1 on rod side
- E** Stopper : Shock absorber stopper stopper position ①
- F** Option : With side and bottom ports Material, steel (nitriding)

● Stopper position



Code	Description
A Bore size	
8	ø8
12	ø12
16	ø16
20	ø20
25	ø25

		Bore size (ø)				
		8	12	16	20	25
10	10	●	●	●	●	●
20	20	●	●	●	●	●
30	30	●	●	●	●	●
40	40	●	●	●	●	●
50	50	●	●	●	●	●
75	75	●	●	●	●	●
100	100		●	●	●	●
125	125			●	●	●
150	150				●	●

C Switch model No.							Bore size				
Axial lead wire	Radial lead wire	Contact	Voltage	Indicator lamp	Lead wire		ø8	ø12	ø16	ø20	ø25
							AC	DC			
-	F2S*	●	●	1-color display	2-wire	Proximity					
-	F3S*	●	●		3-wire						
F2H*	F2V*	●	●	1-color display (PNP output) (made to order)	2-wire	Proximity					
F3H*	F3V*	●	●		3-wire		●	●			
F3PH*	F3PV*	●	●	2-color display	3-wire	Proximity					
F2YH*	F2YV*	●	●		2-wire						
F3YH*	F3YV*	●	●	3-wire		Reed					
T0H*	T0V*	●	●	1-color display no indicator lamp	2-wire						
T5H*	T5V*	●	●	1-color display	2-wire	Proximity					
T2H*	T2V*	●	●				display	3-wire			
T3H*	T3V*	●	●	1-color display (PNP output)	3-wire	Proximity			●	●	●
T3PH*	T3PV*	●	●				display	3-wire			
T2WH*	T2WV*	●	●	2-color display	2-wire	Proximity					
T3WH*	T3WV*	●	●	display	3-wire						

* Lead wire length	
Blank	1 m (standard)
3	3 m (option)
5	5 m (option)

D Switch quantity	
R	1 on rod side
H	1 on head side
D	2

E Stopper			
Blank	No option		
S Stroke adjusting stopper *11			
S1**	Stopper position ①		
S2**	Stopper position ②		
A Shock absorber stopper			
A1**	Stopper position ①		
A2**	Stopper position ②		
W Two-sided combined double stopper (shock absorber stopper, metal stopper) *10			
W1**	A1 + metal stopper		
W2**	A2 + metal stopper		
** part	Adjustable stroke range		
	Protruding end		
	Stopper model No.		
	S	A	W
Blank	5 mm	●	
02	15 mm	●	
03	25 mm	●	

F Option	
Blank	Port on the stopper: without port
D	Port on the stopper: side and bottom ports *2, *5, *9
Blank	Stopper block material: steel
T	Stopper block material: steel (nitriding) *5
B With buffer *6, *7	
B	Without switch groove
BL	With switch groove

Stopper model No. selection method

1 Stopper combination table

Model No.-[①Stopper] [②Stopper position] [③] Example) LCR-Q-8-40-[S] [2] 06

Stopper position model No. [②]	Stroke adjustable (one side)		Shock absorber (one side)		Two-sided combined double stopper	
	Stopper model No. [①]					
	[S]	[A]	[W]	[S]	[A]	[W]
[1]	[S1]		[A1]		[W1]	
[2]	[S2]		[A2]		[W2]	

▲ shows the piping direction.

If two-sided combined (W) is selected, the stopper bracket comes with piping on both sides, ▲ (piping direction) and the reverse side stopper bracket comes with a plug.

■: Shock absorber stopper

■: Stroke adjusting stopper (adjusting range 5 mm)

■: Metal adjusting stopper (adjusting range 15 mm)

2 Stopper combination table

Model No.-[①②Stopper][③Adjustable stroke range]

Example) LCR-Q-8-40-S1[02]

For stroke adjusting stopper -S

Adjustable stroke range model No. [③]	Stopper adjusting range	Stopper model No. [①②]			
		Protruding end		[S1]	[S2]
		Blank	02	[S102]	[S202]
[03]	5 mm			[S102]	[S202]
[02]	15 mm			[S102]	[S202]
[03]	25 mm			[S103]	[S203]

■: Stroke adjusting stopper (adjusting range 5 mm)

■: Stroke adjusting stopper (adjusting range 15 mm)

▨: Stroke adjusting stopper (adjusting range 25 mm)

▲ shows the piping direction.

Cannot be selected for shock absorber [A] and two-sided combined [W].

LCR-Q position locking selection table

(Combination with stroke adjusting stopper, shock absorber stopper)

●: Available —: Not available

Option code	Bore size	Stroke length	Stroke adjusting stopper					Shock absorber stopper				Two-sided combined double stopper	
			S1		S2			A1	A2	W1	W2		
			Blank	02	03	Blank	02					03	
ø8	10	●	—	—	●	—	—	—	—	—	—	—	
	20 or more	●	●	—	●	●	—	●	●	●	●	●	
ø12 to ø25	10	●	—	—	●	—	—	—	—	—	—	—	
	20	●	●	—	●	●	—	—	—	—	—	—	
	30 or more	●	●	●	●	●	●	●	●	●	●	●	

The table above also applies to a combination with option code D (with port on the stopper) or T (alloy steel stopper block (nitriding)).

- LCM
- LCR
- LCG
- LCW
- LCX
- STM
- STG
- STS/STL
- STR2
- UCA2
- ULK*
- JSK/M2
- JSG
- JSC3/JSC4
- USSD
- UFCD
- USC
- UB
- JSB3
- LMB
- LML
- HCM
- HCA
- LBC
- CAC4
- UCAC2
- CAC-N
- UCAC-N
- RCS2
- RCC2
- PCC
- SHC
- MCP
- GLC
- MFC
- BBS
- RRC
- GRC
- RV3*
- NHS
- HRL
- LN
- Hand
- Chuk
- MechHnd/Chuk
- ShkAbs
- FJ
- FK
- SpdContr
- Ending

How to order switch

For $\varnothing 8$ to $\varnothing 12$

SW - F2H

Switch model No.
(Item © on page 86)

For $\varnothing 16$ to $\varnothing 25$

SW - T2H3

Switch model No.
(Item © on page 86)

● Buffer part

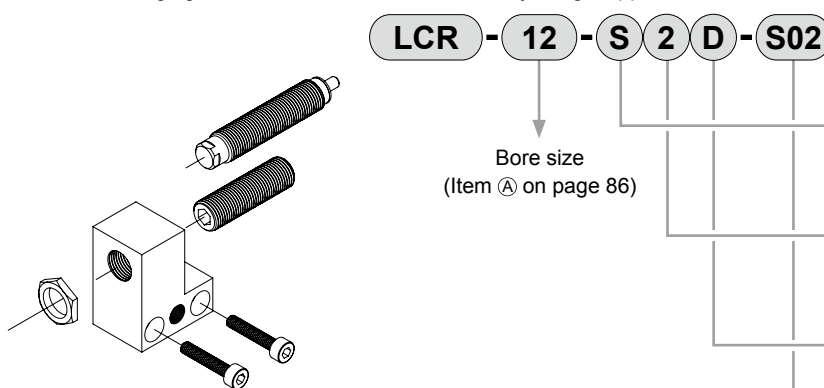
SW - F 2 V 3

Output

Output	
2	DC 2-wire proximity
3	DC 3-wire proximity
Radial lead wire	
Lead wire length	
Blank	1 m (standard)
3	3 m (option)

How to order a stopper set

- Set of a stopper and stroke adjusting stopper or shock absorber stopper
- Use it when changing from the standard to the stroke adjusting stopper or shock absorber stopper.



Bore size
(Item A on page 86)

A Stopper	
S	Stroke adjusting stopper
A	Shock absorber stopper
B Stopper installation position *1	
1	Stopper position ①
2	Stopper position ②
C Port on the stopper	
Blank	Without port
D	With side and bottom ports
D Adjustable stroke length *2/*3	
Blank	Adjustable stroke range 5 mm
S02	Adjustable stroke range 15 mm
S03	Adjustable stroke range 25 mm

*1: The adjustable stroke length changes depending on the stroke; see the table below.

*2: $\varnothing 8$ is not available for S03.

*3: Cannot be selected for the shock absorber stopper "A".

Note) Bottom port is plug-sealed.

When using the bottom port with $\varnothing 20$ and 25, buy a plug kit (LCR-20-N 2 pieces/set) and seal the side surface ports before using.

Precautions when purchasing the stopper set

Note that the adjustable stroke length will be as shown on the right according to the stroke length.

Model No. code	Option code		Discrete stroke adjusting stopper		
	Bore size	Stroke length	Adjustable stroke length (mm)		
			-5	-15	-25
LCR-Q Series	$\varnothing 8$	10	S02	—	—
		20 or more	Blank	S02	—
	$\varnothing 12$ to $\varnothing 25$	10	S03	—	—
		20	S02	S03	—
	30 or more	Blank	S02	S03	

—: Not applicable

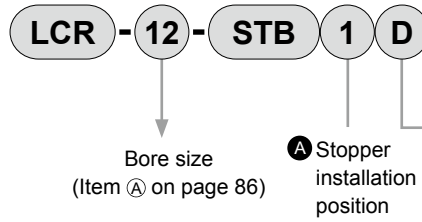
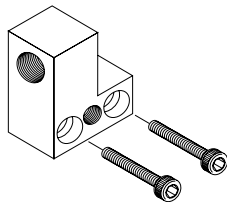
● Stopper set weight

(Unit: g)

Stopper	S1,S2			A1,A2
Port on the stopper	Blank, D			
Adjustable stroke length	Blank	S02	S03	Blank
$\varnothing 8$	21	25	—	27
$\varnothing 12$	28	31	34	33
$\varnothing 16$	42	47	52	49
$\varnothing 20$	77	85	92	86
$\varnothing 25$	87	94	101	95

How to order discrete stopper bracket

- Used when changing between □1 and □2 or when changing to the stopper with port.
□:SA



A Stopper installation position	
1	Stopper position ①
2	Stopper position ②

B Port on the stopper	
Blank	Without port
D	With side and bottom ports

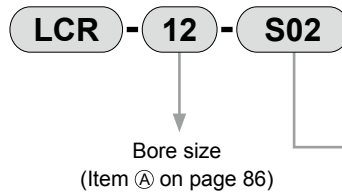
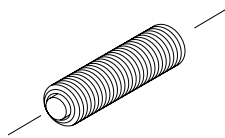
Note) Bottom port is plug-sealed.
When using the bottom port with ø20 and 25, buy a plug kit (LCR-20-N 2 pieces/set) and seal the side surface ports before using.

- Stopper bracket weight (Unit: g)

Stopper installation position	1,2
Port on the stopper	Blank, D
ø8	14
ø12	20
ø16	29
ø20	53
ø25	62

How to order discrete stroke adjusting stopper

- Hexagon socket set screw with urethane
- Use when changing the adjustable stroke range or when using a custom stroke length.



A Adjustable stroke range	
S01	Single side 5 mm (standard)
S02	Single side 15 mm
S03	Single side 25 mm

Select S01, S02 or S03 in ①.
Note: S03 is not available for ø8.
Some models may not be available and adjustable stroke range may differ from the above depending on the model No.

Precautions when purchasing discrete stopper

Note that the combination will be as shown on the right according to the stroke length and adjustable stroke length.

Model No. code	Option code		Discrete stroke adjusting stopper			Discrete shock absorber stopper
	Bore size	Stroke length	Adjustable stroke length (mm)			
			-5	-15	-25	
LCR Series -S1, S2 -A1, A2	ø8	10	S02	—	—	—
		20 or more	S01	S02	—	A01
	ø12 to ø25	10	S03	—	—	—
		20	S02	S03	—	—
		30 or more	S01	S02	S03	—
		30 or more	S01	S02	S03	A01

- Discrete stroke adjusting stopper weight (Unit: g)

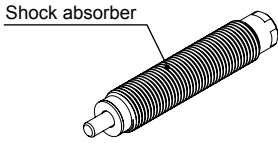
Adjustable stroke range	S01	S02	S03
ø8	7	10	—
ø12	7	11	14
ø16	11	16	22
ø20	22	30	37
ø25	23	30	37

- LCM
- LCR
- LCG
- LCW
- LCX
- STM
- STG
- STS/STL
- STR2
- UCA2
- ULK*
- JSK/M2
- JSG
- JSC3/JSC4
- USSD
- UFCD
- USC
- UB
- JSB3
- LMB
- LML
- HCM
- HCA
- LBC
- CAC4
- UCAC2
- CAC-N
- UCAC-N
- RCS2
- RCC2
- PCC
- SHC
- MCP
- GLC
- MFC
- BBS
- RRC
- GRC
- RV3*
- NHS
- HRL
- LN
- Hand
- Chuk
- MechHnd/Chuk
- ShkAbs
- FJ
- FK
- SpdContr
- Ending

- LCM
- LCR**
- LCG
- LCW
- LCX
- STM
- STG
- STS/STL
- STR2
- UCA2
- ULK*
- JSK/M2
- JSG
- JSC3/JSC4
- USSD
- UFCD
- USC
- UB
- JSB3
- LMB
- LML
- HCM
- HCA
- LBC
- CAC4
- UCAC2
- CAC-N
- UCAC-N
- RCS2
- RCC2
- PCC
- SHC
- MCP
- GLC
- MFC
- BBS
- RRC
- GRC
- RV3*
- NHS
- HRL
- LN
- Hand
- Chuk
- MecHnd/Chuk
- ShkAbs
- FJ
- FK
- SpdContr
- Ending

How to order discrete shock absorber stopper

- Shock absorber set
- Use when changing from the stroke adjusting stopper or shock absorber stopper.



LCR - 12 - A01

Bore size
(Item A on page 86)

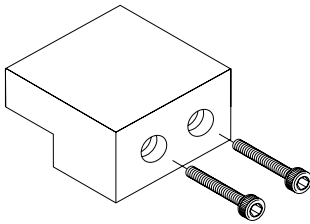
Note: Some models may not be available depending on the specifications. Refer to page 86.
Note: For the adjustable stroke range with a shock absorber stopper, refer to page 86.

Applicable shock absorber model No.

Model	Shock absorber model No.	Weight (g)
LCR-8	SKL-0805	12
LCR-12	SKL-0805	12
LCR-16	SKL-1006	19
LCR-20	SKL-1208	31
LCR-25	SKL-1208	31

How to order discrete stopper block

- Use it when changing from the standard to the stroke adjusting stopper or shock absorber stopper.

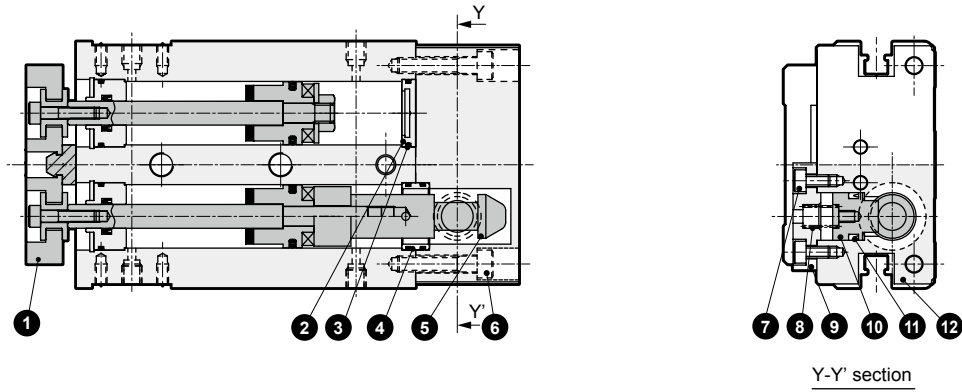


LCR - 12 - SB1 T

Bore size
(Item A on page 86)

A Stopper block	
SB1	ø8: For 30 mm stroke length or less
	ø12 to ø25: For 50 mm stroke length or less
SB2	ø8: For 40 mm stroke length or more
	ø12 to ø25: For 75 mm stroke length or more
B Material	
Blank	Stopper block material: steel
T	Stopper block material: steel (nitriding)

Internal structure and parts list



Parts list

No.	Part name	Material	Remarks	No.	Part name	Material	Remarks
1	End plate	Aluminum alloy	Alumite	7	Hexagon socket head cap screw	Alloy steel	Zinc chromate
2	Cover	Aluminum alloy		8	Coil spring	Steel	
3	Gasket	Nitrile rubber		9	Stopper cover	Aluminum alloy	Alumite
4	Joint ring	ø8: Stainless steel ø12 to 25: Aluminum alloy	ø12 to ø25: Chromate	10	Stopper piston	Carbon steel	Nitriding
5	Sleeve	Carbon steel	Nitriding	11	Stopper packing	Nitrile rubber	
6	Hexagon socket head cap screw	Alloy steel	Zinc chromate	12	Head cover	Aluminum alloy	Alumite

Repair parts list

Bore size (mm)	Kit No.	Repair parts No.	
		Repair parts for position locking	Basic parts are repair parts
ø8	LCR-Q-8K	11	4 5 9 11 17 21
ø12	LCR-Q-12K		
ø16	LCR-Q-16K		
ø20	LCR-Q-20K		
ø25	LCR-Q-25K		

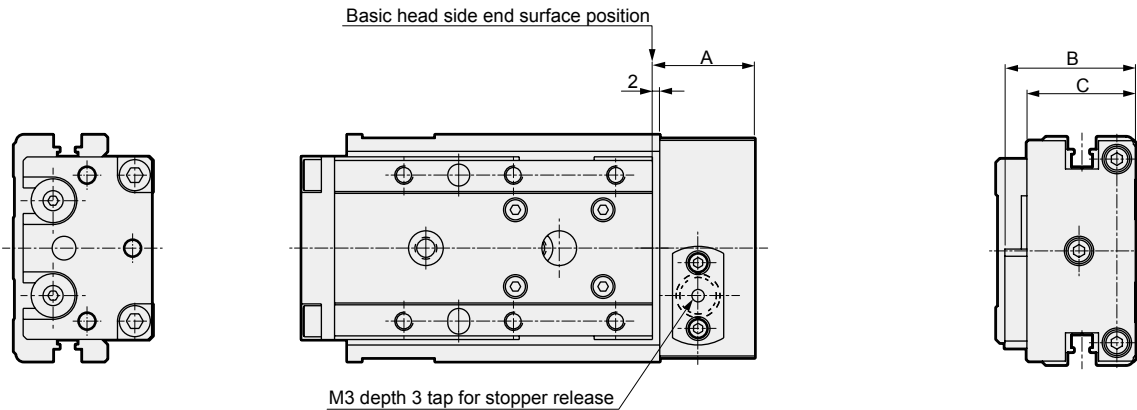
Note: The repair part numbers for the base section correspond to those in the double acting/single rod parts list on page 67.

- LCM
- LCR**
- LCG
- LCW
- LCX
- STM
- STG
- STS/STL
- STR2
- UCA2
- ULK*
- JSK/M2
- JSG
- JSC3/JSC4
- USSD
- UFCD
- USC
- UB
- JSB3
- LMB
- LML
- HCM
- HCA
- LBC
- CAC4
- UCAC2
- CAC-N
- UCAC-N
- RCS2
- RCC2
- PCC
- SHC
- MCP
- GLC
- MFC
- BBS
- RRC
- GRC
- RV3*
- NHS
- HRL
- LN
- Hand
- Chuk
- MechHnd/Chuk
- ShkAbs
- FJ
- FK
- SpdContr
- Ending

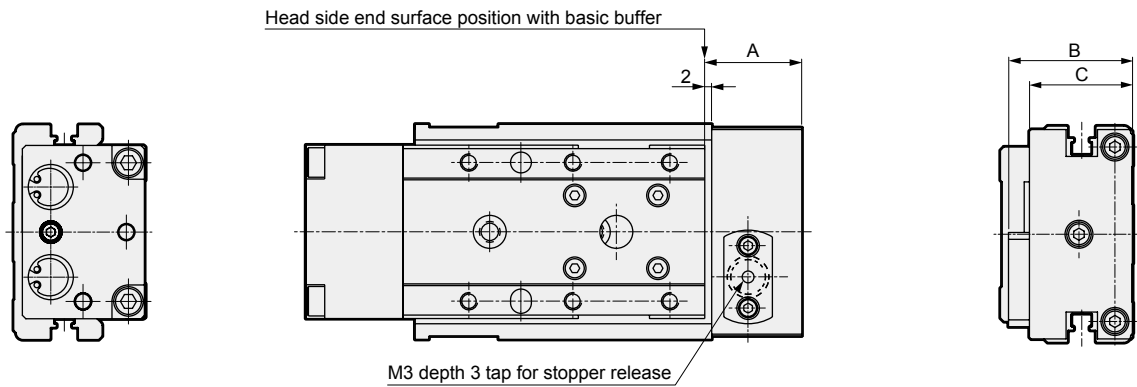
Dimensions



● LCR-Q



● LCR-Q-*-B (with buffer)



Code	A	B	C
Bore size (mm)			
ø8	23	28	22
ø12	24.5	30.5	24.5
ø16	28	35.7	29.7
ø20	30	39	33
ø25	30	48	42

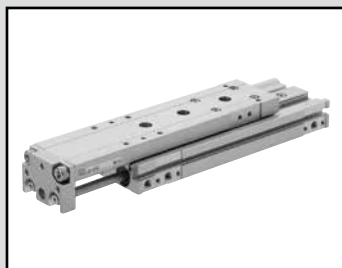
Note: Dimensions other than those listed above are the same as those of double acting/single rod.

- LCM
- LCR
- LCG
- LCW
- LCX
- STM
- STG
- STS/STL
- STR2
- UCA2
- ULK*
- JSK/M2
- JSG
- JSC3/JSC4
- USSD
- UFCD
- USC
- UB
- JSB3
- LMB
- LML
- HCM
- HCA
- LBC
- CAC4
- UCAC2
- CAC-N
- UCAC-N
- LCR-Q-*-B (with buffer)
- RCS2
- RCC2
- PCC
- SHC
- MCP
- GLC
- MFC
- BBS
- RRC
- GRC
- RV3*
- NHS
- HRL
- LN
- Hand
- Chuk
- MecHnd/Chuk
- ShkAbs
- FJ
- FK
- SpdContr
- Ending

MEMO

LCM
LCR
LCG
LCW
LCX
STM
STG
STS/STL
STR2
UCA2
ULK*
JSK/M2
JSG
JSC3/JSC4
USSD
UFCD
USC
UB
JSB3
LMB
LML
HCM
HCA
LBC
CAC4
UCAC2
CAC-N
UCAC-N
RCS2
RCC2
PCC
SHC
MCP
GLC
MFC
BBS
RRC
GRC
RV3*
NHS
HRL
LN
Hand
Chuk
MechHnd/Chuk
ShkAbs
FJ
FK
SpdContr
Ending

LCM
LCR
 LCG
 LCW
 LCX
 STM
 STG
 STS/STL
 STR2
 UCA2
 ULK*
 JSK/M2
 JSG
 JSC3/JSC4
 USSD
 UFCD
 USC
 UB
 JSB3
 LMB
 LML
 HCM
 HCA
 LBC
 CAC4
 UCAC2
 CAC-N
 UCAC-N
 RCS2
 RCC2
 PCC
 SHC
 MCP
 GLC
 MFC
 BBS
 RRC
 GRC
 RV3*
 NHS
 HRL
 LN
 Hand
 Chuk
 MecHnd/Chuk
 ShkAbs
 FJ
 FK
 SpdContr
 Ending



Linear slide cylinder Double acting/single rod clean-room specifications

LCR-P7* Series

● Bore size: $\varnothing 6/\varnothing 8/\varnothing 12/\varnothing 16/\varnothing 20/\varnothing 25$

JIS symbol



Specifications

Item		LCR-P7*					
Bore size	mm	$\varnothing 6$	$\varnothing 8$	$\varnothing 12$	$\varnothing 16$	$\varnothing 20$	$\varnothing 25$
Actuation		Double acting					
Working fluid		Compressed air					
Max. working pressure	MPa	0.7 (≈ 100 psi, 7 bar)					
Min. working pressure	MPa	0.15 (≈ 22 psi, 1.5 bar)					
Proof pressure	MPa	1.05 (≈ 150 psi, 10.5 bar)					
Ambient temperature	$^{\circ}\text{C}$	-10 (14 $^{\circ}\text{F}$) to 60 (140 $^{\circ}\text{F}$) (no freezing)					
Port size	Main body side	M3	M5		Rc1/8		
	Main body back	-	M3	M5	Rc1/8		
Pressure relief port size		M3	M5		Rc1/8		
Stroke tolerance	mm	+2.0 0 (*1)					
Working piston speed	mm/s	50 to 500					
Cushion		With rubber cushion					
Lubrication		Not available					
Allowable absorbed energy	J	Refer to Table 3 on page 122.					

*1: Note that there will be a slight gap between the end plate and floating bush if no stopper is attached.

*2: The stroke adjusting stopper for 0.3 MPa and over working pressure is the metal sealing.

Stroke length

Bore size (mm)	Standard stroke length (mm)
$\varnothing 6$	10, 20, 30, 40, 50
$\varnothing 8$	10, 20, 30, 40, 50, 75
$\varnothing 12$	10, 20, 30, 40, 50, 75, 100
$\varnothing 16$	10, 20, 30, 40, 50, 75, 100, 125
$\varnothing 20$	10, 20, 30, 40, 50, 75, 100, 125, 150
$\varnothing 25$	10, 20, 30, 40, 50, 75, 100, 125, 150

Note: Products with stroke lengths other than the above are not available.

Theoretical thrust table

Refer to page 123.

Switch specifications

- 1-color/2-color display

Item	Reed 2-wire				Proximity 2-wire		Proximity 3-wire		
	T0H/T0V		T5H/T5V		T2H/T2V	T2WH/ T2WV	T3H/ T3V	T3PH/ T3PV	T3WH/ T3WV
Applications	For programmable controller, relay		For programmable controller, relay, IC circuit (without indicator lamp), serial connection		Dedicated for programmable controller		For programmable controller, relay		
Output method	-		-		-		NPN output	PNP output	NPN output
Power supply voltage	-		-		-		10 to 28 VDC		
Load voltage	12/24 VDC	110 VAC	5/12/24 VDC	110 VAC	10 to 30 VDC	24 VDC ±10%	30 VDC or less		
Load current	5 to 50 mA	7 to 20 mA	50 mA or less	20 mA or less	5 to 20 mA		100 mA or less	50 mA or less	
Indicator lamp	LED (Lit when ON)		Without indicator lamp		LED (Lit when ON)	Red/green LED (Lit when ON)	LED (Lit when ON)	Yellow LED (Lit when ON)	Red/green LED (Lit when ON)
Leakage current	0 mA				1 mA or less		10 µA or less		
Weight	g 1 m:18 3 m:49 5 m:80								

Item	Proximity 2-wire		Proximity 3-wire		Proximity 2-wire		Proximity 3-wire		
	F2S		F3S		F2H/F2V	F2YH/ F2YV	F3H/F3V	F3PH/F3PV (Made to order)	F3YH/ F3YV
Applications	Dedicated for programmable controller		For programmable controller, relay		Dedicated for programmable controller		For programmable controller, relay		
Output method	-		NPN output		-		NPN output	PNP output	NPN output
Power supply voltage	-		10 to 28 VDC		-		10 to 28 VDC	4.5 to 28 VDC	10 to 28 VDC
Load voltage	10 to 30 VDC		30 VDC or less		10 to 30 VDC	24 VDC ±10%	30 VDC or less		
Load current	5 to 20 mA		50 mA or less		5 to 20 mA		50 mA or less		
Indicator lamp	LED (Lit when ON)		LED (Lit when ON)		Yellow LED (Lit when ON)	Red/green LED (Lit when ON)	Yellow LED (Lit when ON)		Red/green LED (Lit when ON)
Leakage current	1 mA or less		10 µA or less		1 mA or less		10 µA or less		
Weight	g 1 m:10 3 m:29								

*1 : Refer to Ending Page 1 for detailed switch specifications and dimensions.

*2 : Switches other than the above models, such as switches with connectors, are also available. Refer to Ending Page 1.

*3 : The max. load current is 20 mA at 25°C. The current is lower than 20 mA if the operating ambient temperature around the switch is higher than 25°C. (5 to 10 mA at 60°C)

*4 : The F type switch uses a bend-resistant lead wire.

Cylinder weight

- Clean-room specifications

(Unit: g)

Bore size (mm)	Basic Stroke length (mm)								
	10	20	30	40	50	75	100	125	150
ø6	130	130	150	180	200	-	-	-	-
ø8	220	220	240	290	320	380	-	-	-
ø12	400	410	410	450	480	610	700	-	-
ø16	620	630	630	680	740	970	1,100	1,240	-
ø20	1,160	1,170	1,180	1,260	1,350	1,650	1,860	2,070	2,280
ø25	2,010	2,030	2,040	2,150	2,250	2,740	3,010	3,280	3,550

- Weight of variation/option (stopper)

(Unit: g)

Bore size (mm)	Option/stopper code	
	S1 to S4	S5/S6
ø6	30	40
ø8	40	60
ø12	70	100
ø16	110	150
ø20	170	250
ø25	290	380

- LCM
- LCR
- LCG
- LCW
- LCX
- STM
- STG
- STS/STL
- STR2
- UCA2
- ULK*
- JSK/M2
- JSG
- JSC3/JSC4
- USSD
- UFCD
- USC
- UB
- JSB3
- LMB
- LML
- HCM
- HCA
- LBC
- CAC4
- UCAC2
- CAC-N
- UCAC-N
- RCS2
- RCC2
- PCC
- SHC
- MCP
- GLC
- MFC
- BBS
- RRC
- GRC
- RV3*
- NHS
- HRL
- LN
- Hand
- Chuk
- MechHnd/Chuk
- ShkAbs
- FJ
- FK
- SpdContr
- Ending

LCR-P7* Series

How to order

Without switch (built-in magnet for switch)

LCR - 8 - 40 - S506 DT P72

With switch (built-in magnet for switch)

LCR - 12 - 40 - F2H* - R - S506 DT P72

Model No.

A Bore size

B Stroke length

C Switch model No.

G Clean-room specifications

D Switch quantity

E Stopper

F Option

⚠ Precautions for model No. selection

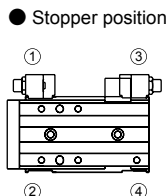
- *1 : For the port position, refer to the stopper dimensions on page 110.
- *2 : The port positions of the standard without stopper are ① and ③ in the figure below.
- *3 : Can be selected for the type with stopper only.
- *4 : When two switches are necessary for the type with S*** of $\phi 6$ to $\phi 8$ with 30 mm stroke length or less, select the F □ H type switch.
- *5 : Select when using rear piping.
- *6 : The stroke adjusting stopper for 0.3 MPa and over working pressure is the metal sealing.
- *7 : When changing the stopper position from the head side to the rod side, the stopper must be purchased separately according to the stroke length and adjustable stroke length. Refer to "Precautions when purchasing discrete stopper" on page 65. Adjustable stroke lengths of 15 mm and 25 mm may not be possible depending on the stroke length.

[Example of model No.]

LCR-12-40-F2H*-R-S1DT-P72

Model: Linear slide cylinder Double acting/single rod (clean-room specifications) LCR-P7*

- A Bore size : $\phi 12$
- B Stroke length : 40 mm
- C Switch model No.: Proximity/2-wire Axial lead wire
- D Switch quantity : 1 on rod side
- E Stopper : Stroke adjusting stopper Stopper position ①
- F Option : Port on the stopper: Side and bottom ports Stopper block material: steel (nitriding)
- G Clean-room specifications : Exhaust port



Code	Description
A Bore size	
6	$\phi 6$
8	$\phi 8$
12	$\phi 12$
16	$\phi 16$
20	$\phi 20$
25	$\phi 25$

		Bore size (ϕ)					
		6	8	12	16	20	25
10	10	●	●	●	●	●	●
20	20	●	●	●	●	●	●
30	30	●	●	●	●	●	●
40	40	●	●	●	●	●	●
50	50	●	●	●	●	●	●
75	75		●	●	●	●	●
100	100			●	●	●	●
125	125				●	●	●
150	150					●	●

		C Switch model No.									
Axial lead wire	Radial lead wire	Contact	Voltage AC DC	Indicator lamp	Lead wire	Bore size					
						$\phi 6$	$\phi 8$	$\phi 12$	$\phi 16$	$\phi 20$	$\phi 25$
-	F2S*	Proximity	●	1-color display	2-wire						
-	F3S*		●		3-wire						
F2H*	F2V*	Proximity	●	1-color display (PNP output) (made to order)	2-wire	●	●	●			
F3H*	F3V*		●		3-wire						
F3PH*	F3PV*	Proximity	●	2-color display	3-wire						
F2YH*	F2YV*		●		2-wire						
F3YH*	F3YV*	Reed	●	1-color display (PNP output)	3-wire						
T0H*	T0V*		●		2-wire						
T5H*	T5V*	Proximity	●	1-color display	2-wire						
T2H*	T2V*		●		3-wire				●	●	●
T3H*	T3V*	Proximity	●	1-color display (PNP output)	2-wire						
T3PH*	T3PV*		●		3-wire					●	●
T2WH*	T2WV*	Proximity	●	2-color display	2-wire						
T3WH*	T3WV*		●		3-wire						

		Lead wire length					
Blank	1 m (standard)						
3	3 m (option)					●	
5	5 m (option)					●	

		D Switch quantity					
R	1 on rod side					●	
H	1 on head side					●	
D	2					●	

		E Stopper					
Blank	No option						
						●	

		S Stroke adjusting stopper					
		5 mm stroke adjustment on one side					
S1**	Stopper position ① (can be changed to ④)	Stopper installation position				●	
S2**	Stopper position ② (can be changed to ③)					●	
S3**	Stopper position ③ (can be changed to ②)*7					●	
S4**	Stopper position ④ (can be changed to ①)*7					●	
S5**	Stopper position ①, ③					●	
S6**	Stopper position ②, ④					●	

		** part Adjustable stroke range ● Compatible with all. ▲ Compatible with some. *3					
	Protruding end	Return end					
Blank	5 mm or none	5 mm or none				●	
02	15 mm or none	15 mm or none				●	
03	25 mm or none	25 mm or none				●	
04	15 mm	5 mm				▲	
05	25 mm	5 mm				▲	
06	5 mm	15 mm				▲	
07	5 mm	25 mm				▲	

		F Option					
Blank	Port on the stopper: without port						
D	Port on the stopper: side and bottom ports					● *1, *3	
Blank	Stopper block material: steel					●	
T	Stopper block material: steel (nitriding)					● *3	

		Plug attached					
Blank	None						
N	With side piping port plug (not available for $\phi 6$, $\phi 25$)					*5	

		G Clean-room specifications					
		Structure					
P72	Exhaust port						
P73	Vacuum treatment						

Stopper model No. selection method

Stopper combination table

Model No.-[① ② Stopper] [③ Adjustable stroke range]

Example) LCR-8-40- [S5] [06]-P7*

For stroke adjusting stopper -S

- LCM
- LCR
- LCG
- LCW
- LCX
- STM
- STG
- STS/STL
- STR2
- UCA2
- ULK*
- JSK/M2
- JSG
- JSC3/JSC4
- USSD
- UFCD
- USC
- UB
- JSB3
- LMB
- LML
- HCM
- HCA
- LBC
- CAC4
- UCAC2
- CAC-N
- UCAC-N
- RCS2
- RCC2
- PCC
- SHC
- MCP
- GLC
- MFC
- BBS
- RRC
- GRC
- RV3*
- NHS
- HRL
- LN
- Hand
- Chuk
- MechHnd/Chuk
- ShkAbs
- FJ
- FK
- SpdContr
- Ending

Adjustable stroke range Model No. [③]	Stopper adjusting range		Stopper model No. [① ②]							
	Protruding end	Return end	[S1]	[S2]	[S3]	[S4]	[S5]	[S6]		
	Blank	5 mm or none	5 mm or none							
[02]	15 mm or none	15 mm or none								
[03]	25 mm or none	25 mm or none								
[04]	15 mm	5 mm								
[05]	25 mm	5 mm								
[06]	5 mm	15 mm								
[07]	5 mm	25 mm								

- : Stroke adjusting stopper (adjusting range 5 mm)
- : Stroke adjusting stopper (adjusting range 15 mm)
- : Stroke adjusting stopper (adjusting range 25 mm)

▲ shows the piping direction.

Selection table

●: Available —: Not available

Bore size (mm)	Stopper code	Adjustment length code																											
		S1		S2		S3		S4			S5							S6											
		Blank	02	03	Blank	02	03	Blank	02	03	Blank	02	03	Blank	02	03	04	05	06	07	Blank	02	03	04	05	06	07		
ø6,ø8	10st	●	—	—	●	—	—	●	●	—	●	●	—	●	—	—	—	—	●	—	●	—	—	—	—	●	—		
	20st up	●	●	—	●	●	—	●	●	—	●	●	—	●	●	—	●	—	●	—	●	●	—	●	—	●	—		
ø12 to ø25	10st	●	—	—	●	—	—	●	●	—	●	●	—	●	—	—	—	—	●	—	●	—	—	—	—	●	—		
	20st	●	●	—	●	●	—	●	●	—	●	●	—	●	●	—	●	—	●	—	●	●	—	●	—	●	—		
	30st up	●	●	●	●	●	●	●	●	●	●	●	●	●	●	●	●	●	●	●	●	●	●	●	●	●	●		

LCR-P7* Series

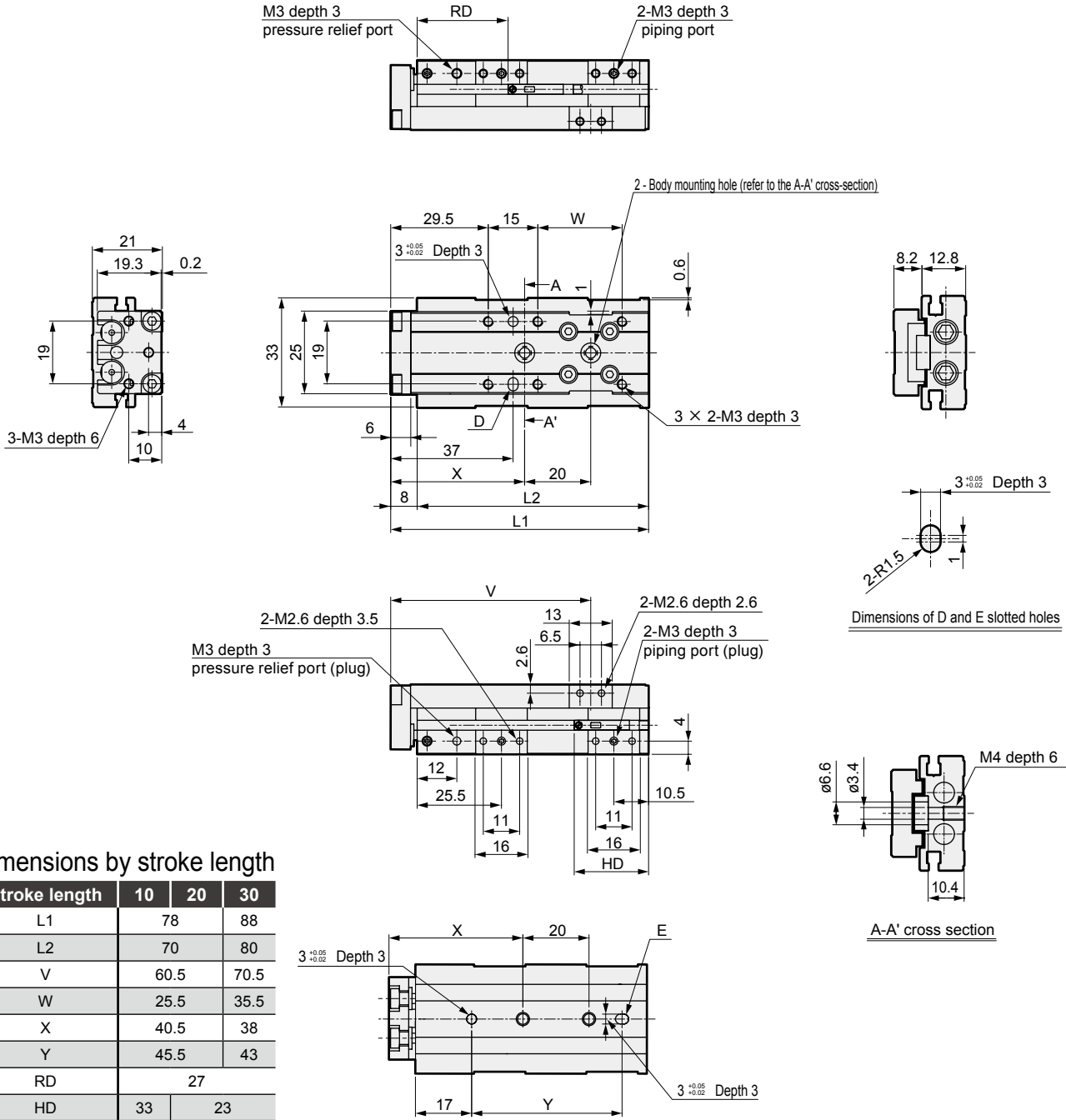


Dimensions (bore size: $\phi 6$)

● LCR-6-P7*

Stroke length: 10, 20, 30

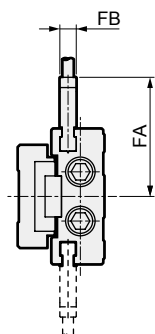
(Body mounting hole in the figure shows 20 mm stroke length)



Dimensions by stroke length

Stroke length	10	20	30
L1	78	88	
L2	70	80	
V	60.5	70.5	
W	25.5	35.5	
X	40.5	38	
Y	45.5	43	
RD	27		
HD	33	23	

● Dimensions of protruding section when the F2S or F3S cylinder switch is mounted



Stroke length	10	20	30
FA	29.1		
FB	4		
RD	26		
HD	34	24	

*1: When using a positioning hole, use a pin of dimensions that do not require press fitting. The recommended tolerance of a pin is JIS tolerance m6 or less.

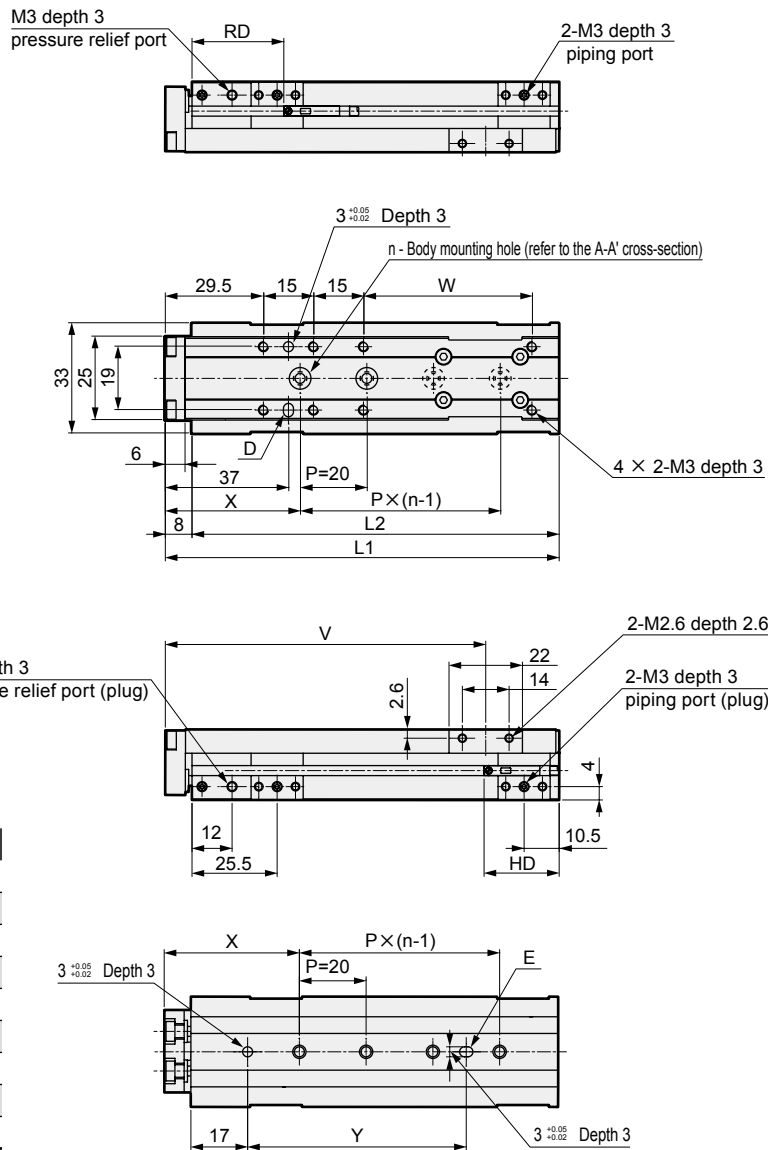
Dimensions (bore size: $\phi 6$)



● LCR-6-P7*

Stroke length: 40, 50

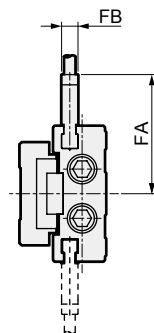
(Body mounting hole in the figure shows 50 mm stroke length)



Dimensions by stroke length

Stroke length	40	50
L1	108	118
L2	100	110
n	3	4
V	86	96
W	40.5	50.5
X	39	40.5
Y	44	65.5
RD	27	
HD	33	

● Dimensions of protruding section when the F2S or F3S cylinder switch is mounted



Stroke length	40	50
FA	29.1	
FB	4	
RD	26	
HD	34	

*1: When using a positioning hole, use a pin of dimensions that do not require press fitting.
The recommended tolerance of a pin is JIS tolerance m6 or less.

- LCM
- LCR**
- LCG
- LCW
- LCX
- STM
- STG
- STS/STL
- STR2
- UCA2
- ULK*
- JSK/M2
- JSG
- JSC3/JSC4
- USSD
- UFCD
- USC
- UB
- JSB3
- LMB
- LML
- HCM
- HCA
- LBC
- CAC4
- UCAC2
- CAC-N
- UCAC-N
- RCS2
- RCC2
- PCC
- SHC
- MCP
- GLC
- MFC
- BBS
- RRC
- GRC
- RV3*
- NHS
- HRL
- LN
- Hand
- Chuk
- MechHnd/Chuk
- ShkAbs
- FJ
- FK
- SpdContr
- Ending

LCR-P7* Series

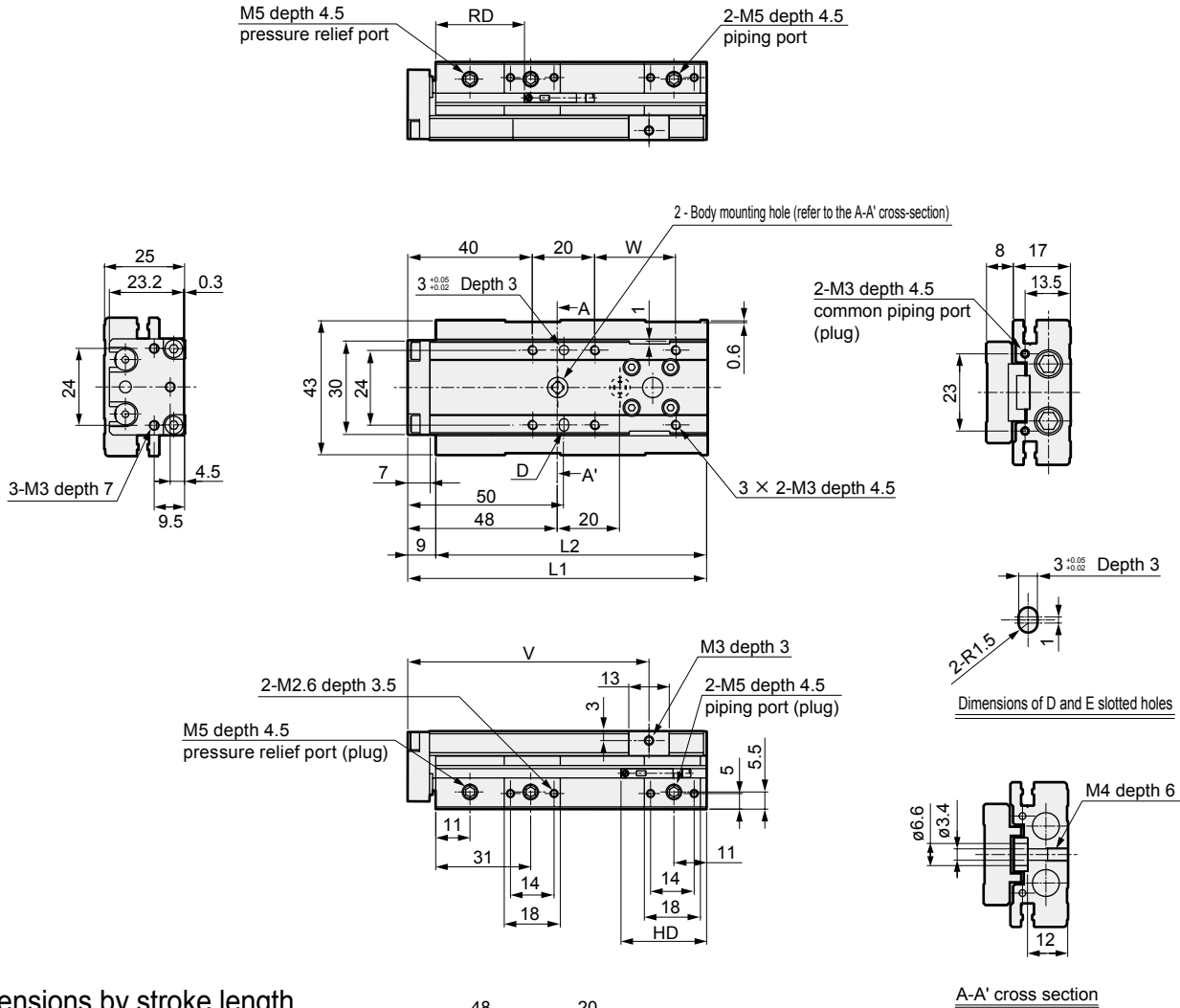


Dimensions (bore size: $\varnothing 8$)

● LCR-8-P7*

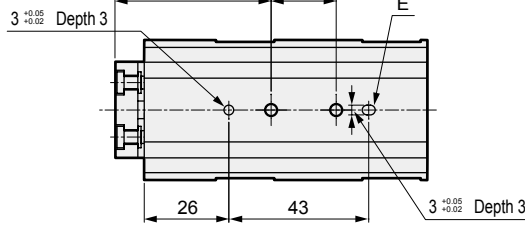
Stroke length: 10, 20, 30

(Body mounting hole in the figure shows 30 mm stroke length)

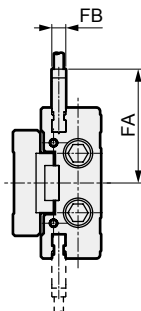


Dimensions by stroke length

Stroke length	10	20	30
L1	86	96	
L2	77	87	
V	67.5	77.5	
W	16	26	
RD	33		
HD	34	24	



● Dimensions of protruding section when the F2S or F3S cylinder switch is mounted



Stroke length	10	20	30
FA	32.6		
FB	4		
RD	32		
HD	35	25	

- *1 : When using a positioning hole, use a pin of dimensions that do not require press fitting. The recommended tolerance of a pin is JIS tolerance m6 or less.
- *2 : When using rear piping, refer to the cautions of 1. Common; when piping on page 131.

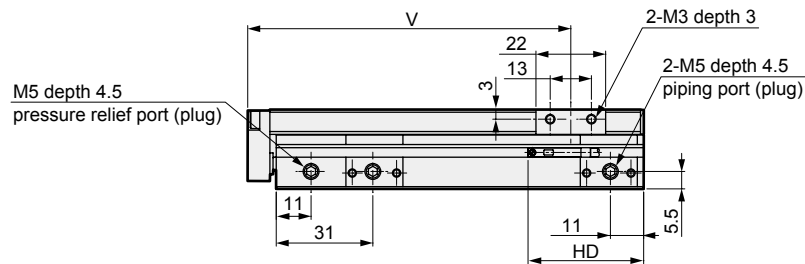
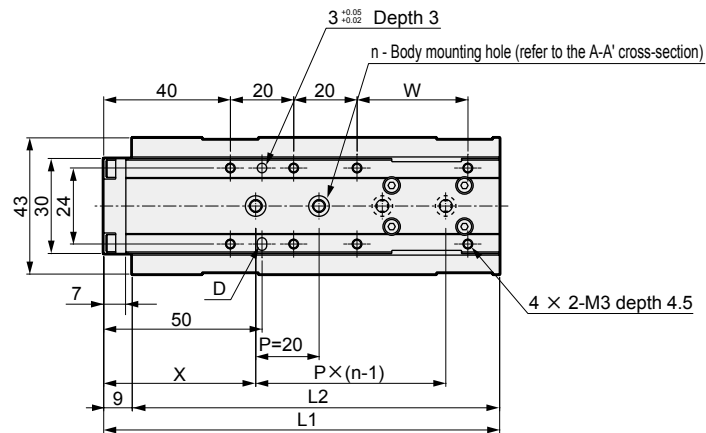
Dimensions (bore size: ø8)



● LCR-8-P7*

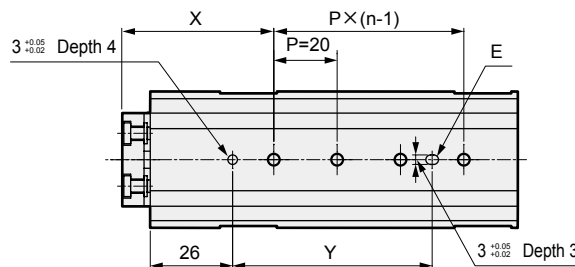
Stroke length: 40, 50, 75

(Body mounting hole in the figure shows 50 mm stroke length)

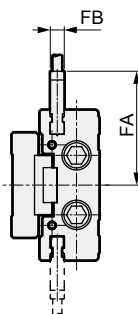


Dimensions by stroke length

Stroke length	40	50	75
L1	115	125	150
L2	106	116	141
n	3	4	5
V	92	102	127
W	25	35	60
X	46.5	48	45
Y	41.5	63	80
RD	33		
HD	33		



● Dimensions of protruding section when the F2S or F3S cylinder switch is mounted



Stroke length	40	50	75
FA	32.6		
FB	4		
RD	32		
HD	34		

*1 : When using a positioning hole, use a pin of dimensions that do not require press fitting. The recommended tolerance of a pin is JIS tolerance m6 or less.

*2 : When using rear piping, refer to the cautions of

1. Common; when piping on page 131.

- LCM
- LCR**
- LCG
- LCW
- LCX
- STM
- STG
- STS/STL
- STR2
- UCA2
- ULK*
- JSK/M2
- JSG
- JSC3/JSC4
- USSD
- UFCD
- USC
- UB
- JSB3
- LMB
- LML
- HCM
- HCA
- LBC
- CAC4
- UCAC2
- CAC-N
- UCAC-N
- RCS2
- RCC2
- PCC
- SHC
- MCP
- GLC
- MFC
- BBS
- RRC
- GRC
- RV3*
- NHS
- HRL
- LN
- Hand
- Chuk
- MechHnd/Chuk
- ShkAbs
- FJ
- FK
- SpdContr
- Ending

LCR-P7* Series

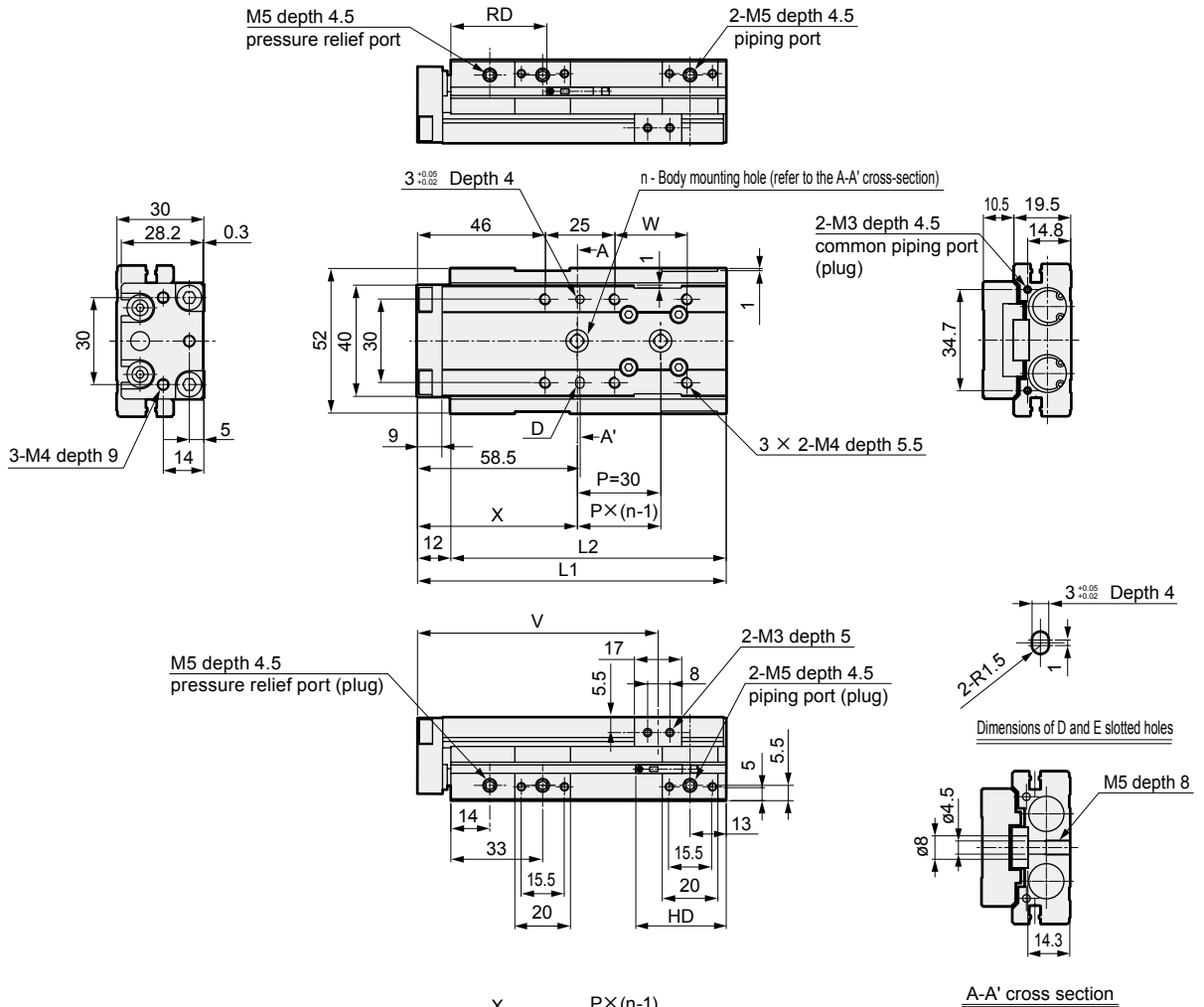


Dimensions (bore size: $\varnothing 12$)

● LCR-12-P7*

Stroke: 10, 20, 30, 40, 50

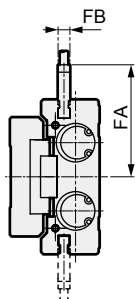
(Body mounting hole in the figure shows 30 mm stroke length)



Dimensions by stroke length

Stroke length	10	20	30	40	50
L1		111		121	131
L2		99		109	119
n		2		3	
V		86.5		96.5	106.5
W		26		36	46
X		57.5		56	52
Y		32.5		31	57
RD	36.5				
HD	52.5	42.5		32.5	

● Dimensions of protruding section when the F2S or F3S cylinder switch is mounted



Stroke length	10	20	30	40	50
FA			37.8		
FB			4		
RD			35.5		
HD	53.5	43.5		33.5	

*1 : When using a positioning hole, use a pin of dimensions that do not require press fitting. The recommended tolerance of a pin is JIS tolerance m6 or less.

*2 : When using rear piping, refer to the cautions of 1. Common; when piping on page 131.

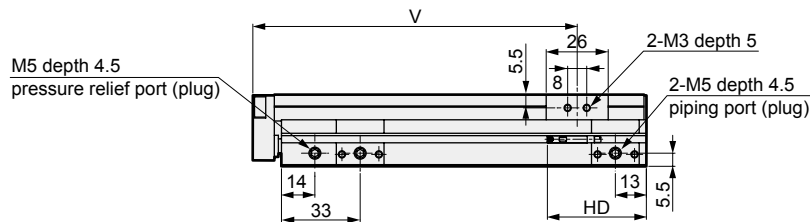
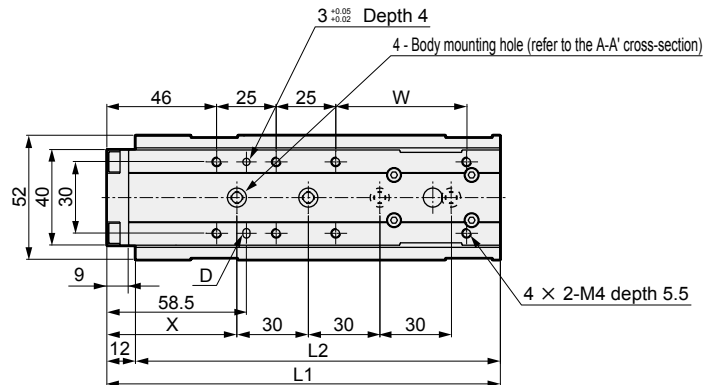
Dimensions (bore size: $\phi 12$)



● LCR-12-P7*

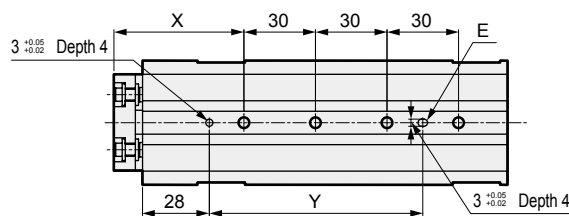
Stroke length: 75, 100

(Body mounting hole in the figure shows 75 mm stroke length)

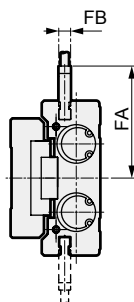


Dimensions by stroke length

Stroke length	75	100
L1	165	190
L2	153	178
V	136	161
W	55	80
X	54.5	67
Y	89.5	102
RD	36.5	
HD	41.5	



● Dimensions of protruding section when the F2S or F3S cylinder switch is mounted



Stroke length	75	100
FA	37.8	
FB	4	
RD	35.5	
HD	42.5	

*1 : When using a positioning hole, use a pin of dimensions that do not require press fitting. The recommended tolerance of a pin is JIS tolerance m6 or less.

*2 : When using rear piping, refer to the cautions of

1. Common; when piping on page 131.

LCM
LCR
LCG
LCW
LCX
STM
STG
STS/STL
STR2
UCA2
ULK*
JSK/M2
JSG
JSC3/JSC4
USSD
UFCD
USC
UB
JSB3
LMB
LML
HCM
HCA
LBC
CAC4
UCAC2
CAC-N
UCAC-N
RCS2
RCC2
PCC
SHC
MCP
GLC
MFC
BBS
RRC
GRC
RV3*
NHS
HRL
LN
Hand
Chuk
MechHnd/Chuk
ShkAbs
FJ
FK
SpdContr
Ending

LCR-P7* Series

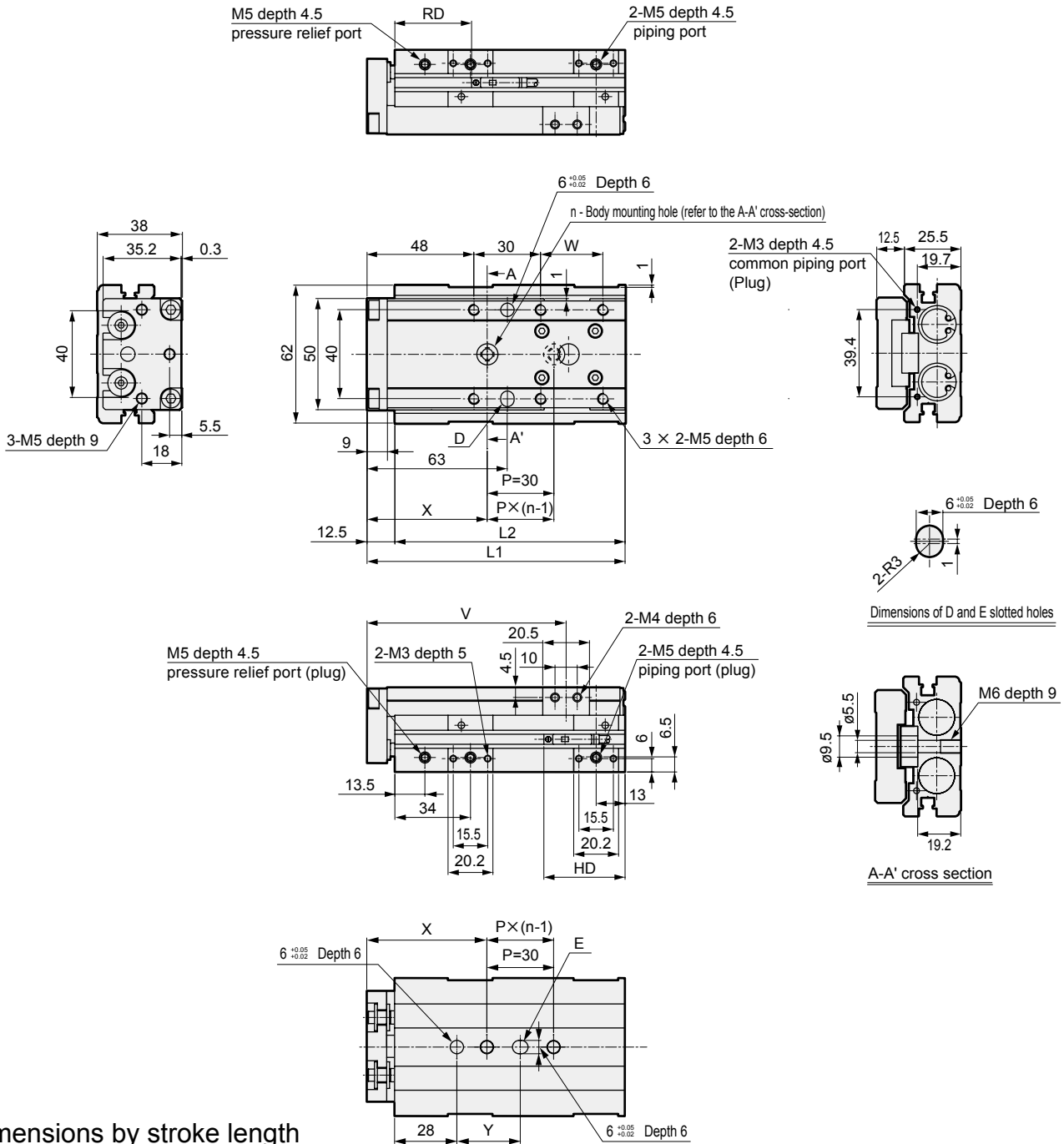


Dimensions (bore size: $\varnothing 16$)

● LCR-16-P7*

Stroke: 10, 20, 30, 40, 50

(Body mounting hole in the figure shows 30 mm stroke length)



Dimensions by stroke length

Stroke length	10	20	30	40	50
L1		116	126	136	
L2		103.5	113.5	123.5	
n		2		3	
V		89.8	99.8	109.8	
W		28	38	48	
X		54	65.5	55.5	
Y		28.5	40	60	
T0/5*	RD	37			
T2/3*	HD	56.5	46.5	36.5	
T2/3W*	RD	39.5			
	HD	54	44	34	

*1 : When using a positioning hole, use a pin of dimensions that do not require press fitting. The recommended tolerance of a pin is JIS tolerance m6 or less.

*2 : When using rear piping, refer to the cautions of **1. Common; when piping** on page 131.

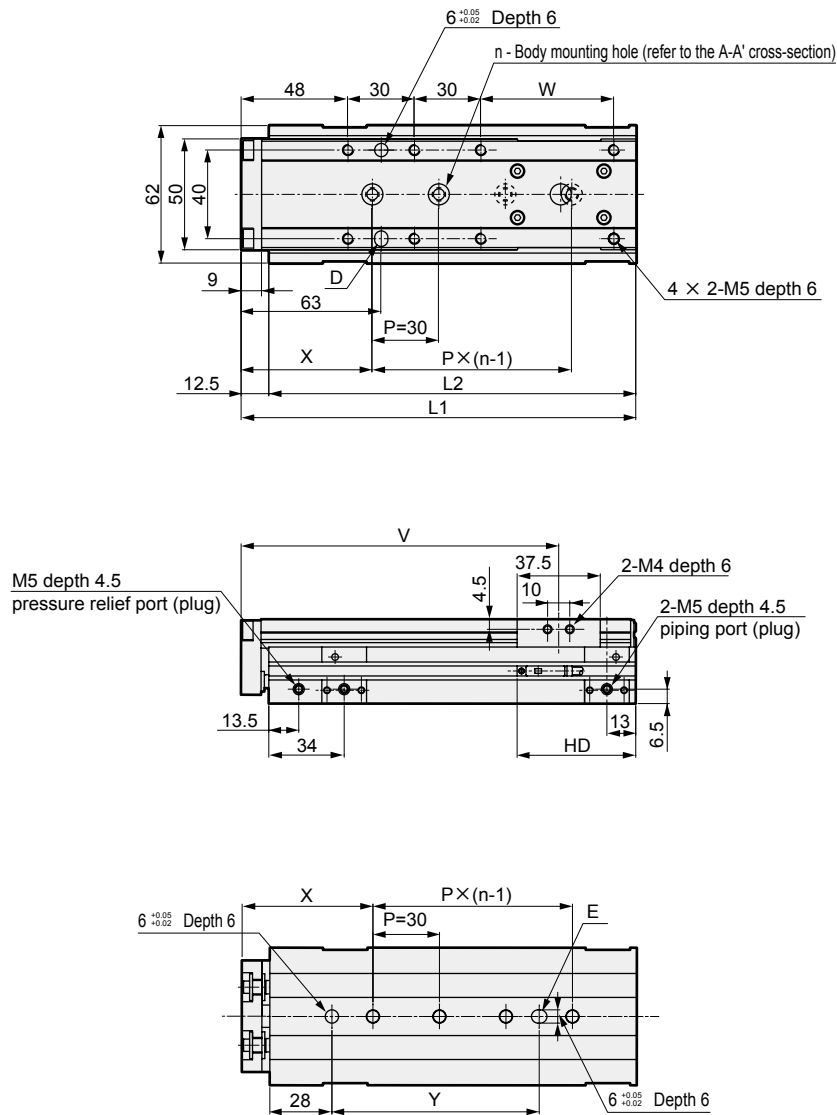
Dimensions (bore size: $\phi 16$)



● LCR-16-P7*

Stroke length: 75, 100, 125

(Body mounting hole in the figure shows 75 mm stroke length)



Dimensions by stroke length

Stroke length	75	100	125
L1	178	203	228
L2	165.5	190.5	215.5
n	4	5	
V	143.3	168.3	193.3
W	60	85	110
X	59	57	69
Y	93.5	121.5	133.5
T0/5*	RD	37	
T2/3*	HD	53.5	
T2/3W*	RD	39.5	
	HD	51	

*1 : When using a positioning hole, use a pin of dimensions that do not require press fitting. The recommended tolerance of a pin is JIS tolerance m6 or less.

*2 : When using rear piping, refer to the cautions of [1. Common; when piping](#) on page 131.

LCM
LCR
LCG
LCW
LCX
STM
STG
STS/STL
STR2
UCA2
ULK*
JSK/M2
JSG
JSC3/JSC4
USSD
UFCD
USC
UB
JSB3
LMB
LML
HCM
HCA
LBC
CAC4
UCAC2
CAC-N
UCAC-N
RCS2
RCC2
PCC
SHC
MCP
GLC
MFC
BBS
RRC
GRC
RV3*
NHS
HRL
LN
Hand
Chuk
MechHnd/Chuk
ShkAbs
FJ
FK
SpdContr
Ending

LCR-P7* Series

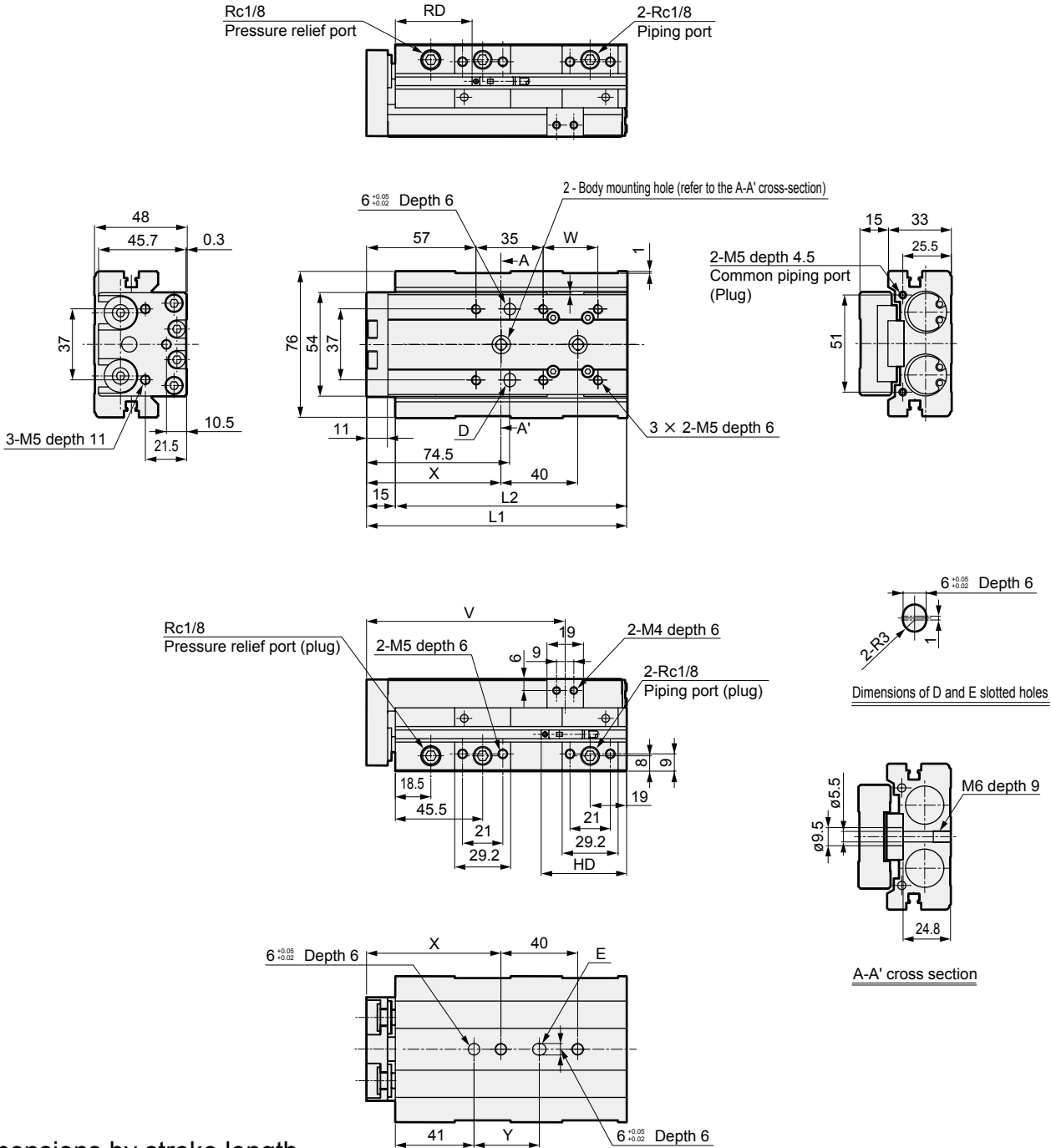


Dimensions (bore size: $\varnothing 20$)

● LCR-20-P7*

Stroke: 10, 20, 30, 40, 50

(Body mounting hole in the figure shows 30 mm stroke length)



Dimensions by stroke length

Stroke length	10	20	30	40	50
L1		135.5	145.5	155.5	
L2		120.5	130.5	140.5	
V		103.5	113.5	123.5	
W		28.5	38.5	48.5	
X		70	76	74	
Y		34	40	38	
T0/5*	RD	45.5			
T2/3*	HD	65	55	45	
T2/3W*	RD	47			
	HD	63	53	43	

*1 : When using a positioning hole, use a pin of dimensions that do not require press fitting. The recommended tolerance of a pin is JIS tolerance m6 or less.

*2 : When using rear piping, refer to the cautions of 1. Common; when piping on page 131.

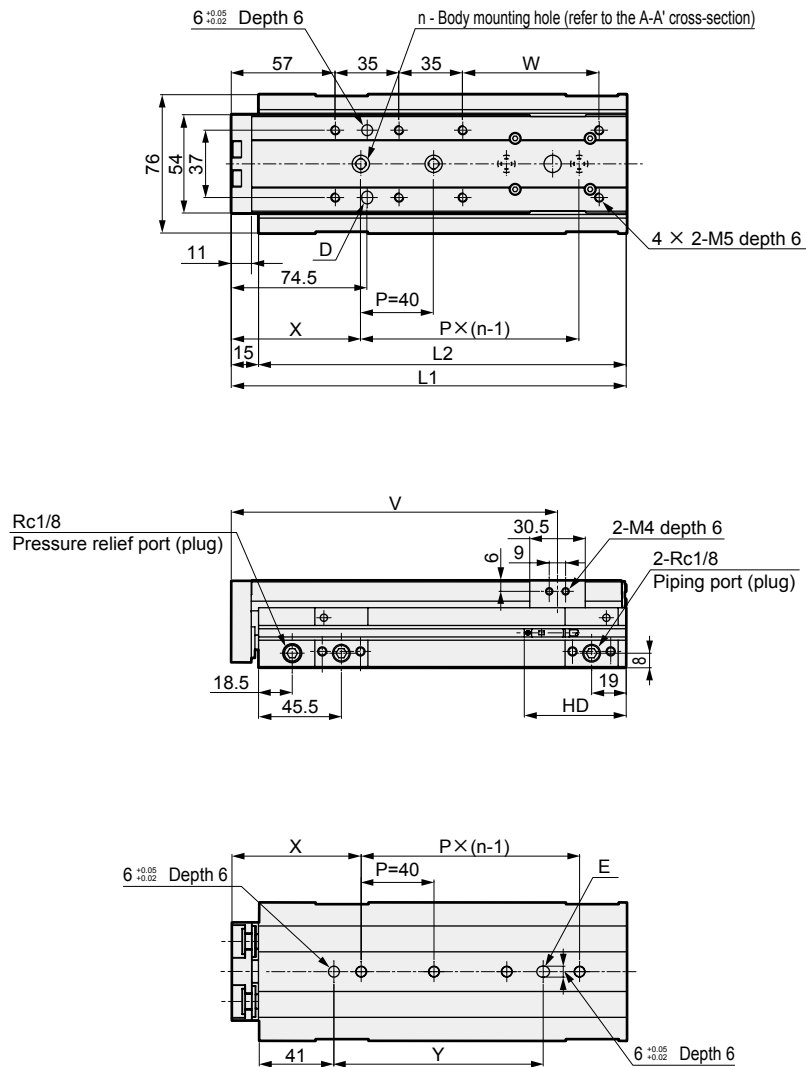
Dimensions (bore size: $\varnothing 20$)



● LCR-20-P7*

Stroke length: 75, 100, 125, 150

(Body mounting hole in the figure shows 100 mm stroke length)



Dimensions by stroke length

Stroke length	75	100	125	150
L1	192	217	242	267
L2	177	202	227	252
n	3	4	5	
V	154.3	179.3	204.3	229.3
W	50	75	100	125
X	71		78	76
Y	75	115	122	160
T0/5*	RD	45.5		
	HD	57.5		
T2/3*	RD	47		
	HD	55.5		

*1 : When using a positioning hole, use a pin of dimensions that do not require press fitting. The recommended tolerance of a pin is JIS tolerance m6 or less.

*2 : When using rear piping, refer to the cautions of [1. Common; when piping](#) on page 131.

LCM
LCR
LCG
LCW
LCX
STM
STG
STS/STL
STR2
UCA2
ULK*
JSK/M2
JSG
JSC3/JSC4
USSD
UFCD
USC
UB
JSB3
LMB
LML
HCM
HCA
LBC
CAC4
UCAC2
CAC-N
UCAC-N
RCS2
RCC2
PCC
SHC
MCP
GLC
MFC
BBS
RRC
GRC
RV3*
NHS
HRL
LN
Hand
Chuk
MechHnd/Chuk
ShkAbs
FJ
FK
SpdContr
Ending

LCR-P7* Series

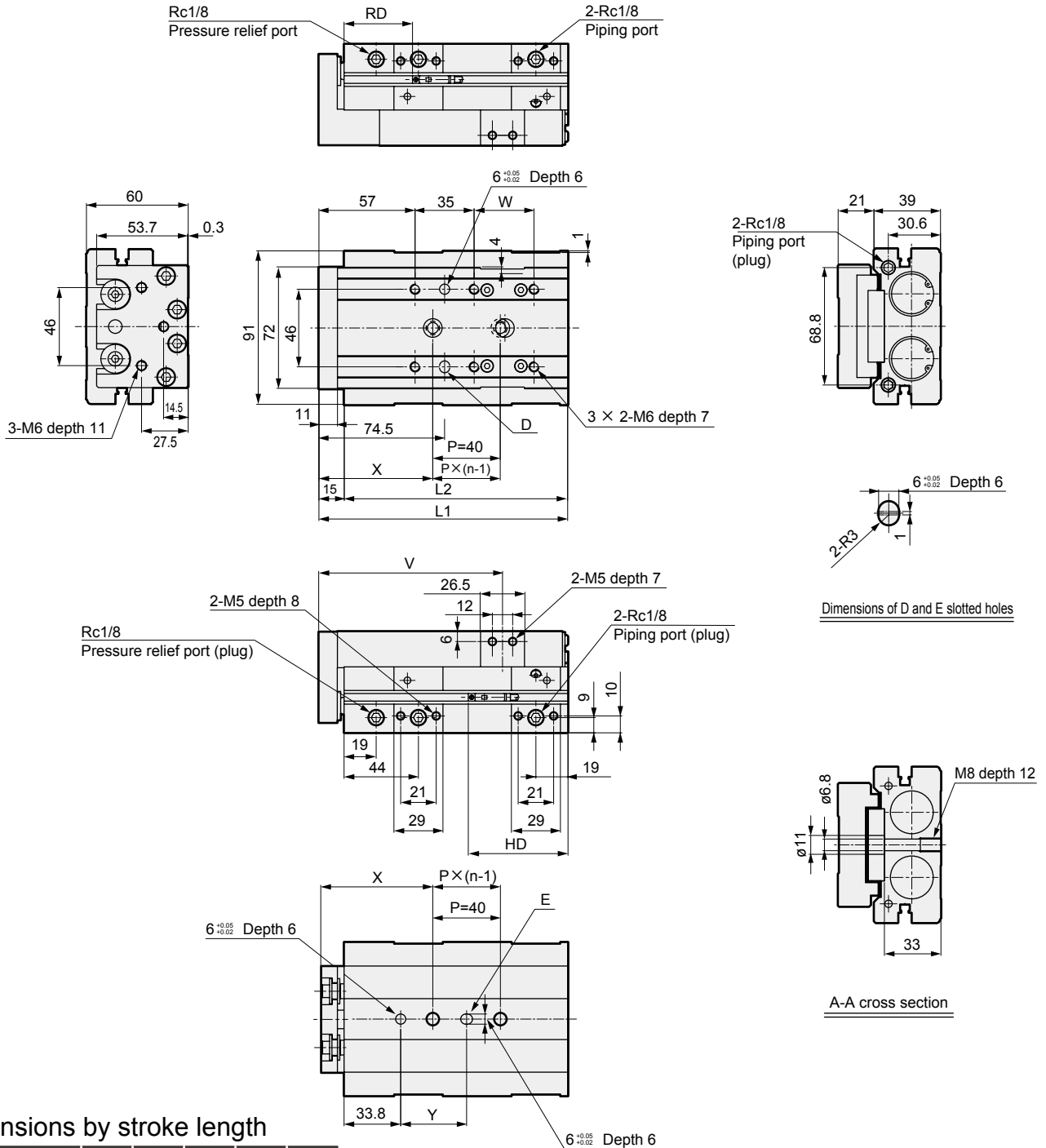


Dimensions (bore size: $\phi 25$)

● LCR-25-P7*

Stroke: 10, 20, 30, 40, 50

(Body mounting hole in the figure shows 30 mm stroke length)



Dimensions by stroke length

Stroke length	10	20	30	40	50
L1		147.5	157.5	167.5	
L2		132.5	142.5	152.5	
n		2	3	2	
V		108.8	118.8	128.8	
W		35.5	45.5	55.5	
X		67.5	70.5	85.5	
Y		39	42	57	
T0/5*	RD	44			
T2/3*	HD	78.5	68.5	58.5	
T2/3W*	RD	46			
	HD	76.5	66.5	56.5	

*1 : When using a positioning hole, use a pin of dimensions that do not require press fitting. The recommended tolerance of a pin is JIS tolerance m6 or less.

*2 : When using rear piping, refer to the cautions of 1. Common; when piping on page 131.

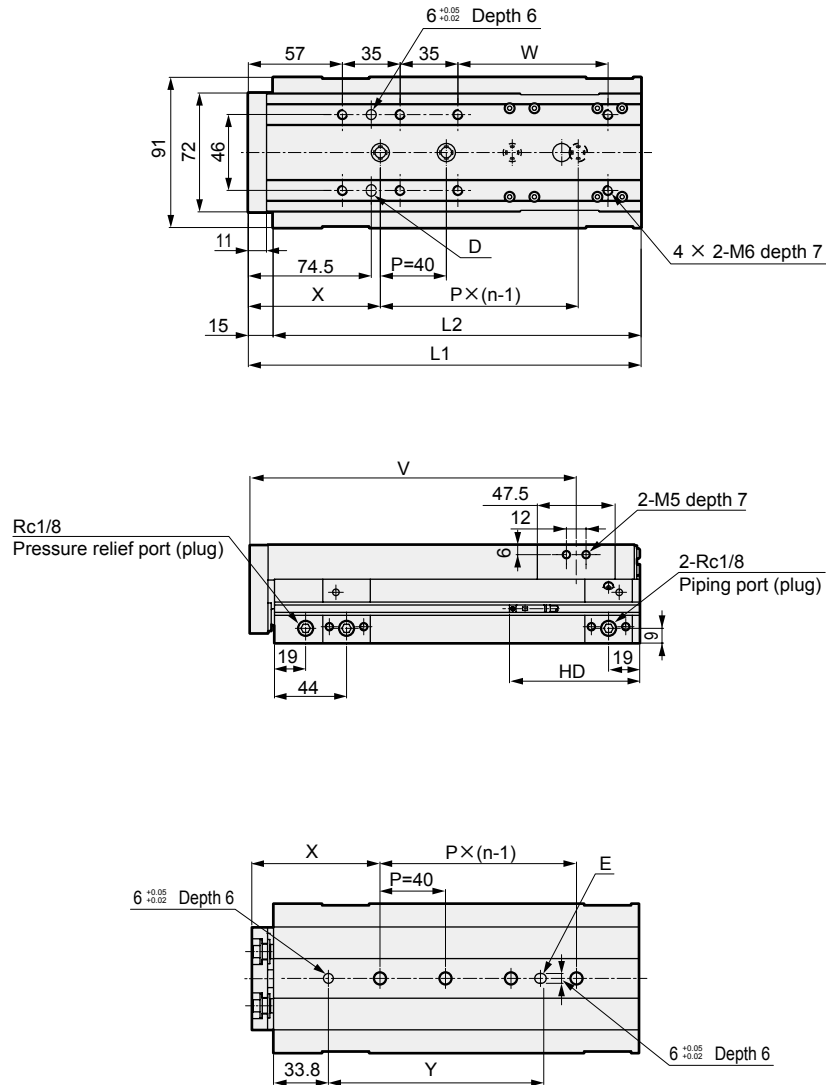
Dimensions (bore size: $\varnothing 25$)



● LCR-25-P7*

Stroke length: 75, 100, 125, 150

(Body mounting hole in the figure shows 100 mm stroke length)



Dimensions by stroke length

Stroke length	75	100	125	150
L1	213	238	263	288
L2	198	223	248	273
n	3	4	5	
V	163.8	188.8	213.8	238.8
W	66	91	116	141
X	85	80	70	85
Y	96.5	131.5	161.5	176.5
T0/5*	RD	44		
T2/3*	HD	79		
T2/3W*	RD	46		
	HD	77		

*1 : When using a positioning hole, use a pin of dimensions that do not require press fitting. The recommended tolerance of a pin is JIS tolerance m6 or less.

*2 : When using rear piping, refer to the cautions of

1. Common; when piping on page 131.

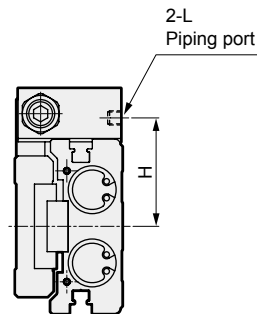
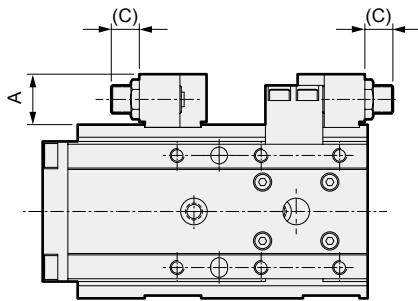
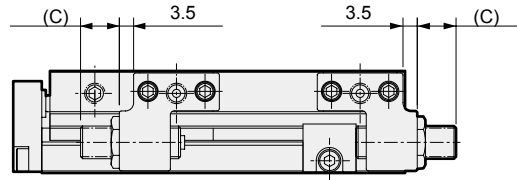
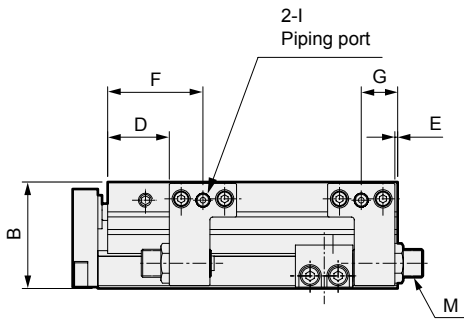
LCM
LCR
LCG
LCW
LCX
STM
STG
STS/STL
STR2
UCA2
ULK*
JSK/M2
JSG
JSC3/JSC4
USSD
UFCD
USC
UB
JSB3
LMB
LML
HCM
HCA
LBC
CAC4
UCAC2
CAC-N
UCAC-N
RCS2
RCC2
PCC
SHC
MCP
GLC
MFC
BBS
RRC
GRC
RV3*
NHS
HRL
LN
Hand
Chuk
MechHnd/Chuk
ShkAbs
FJ
FK
SpdContr
Ending

LCR-P7* Series

Dimensions: Option

● Stroke adjusting stopper (S1 to S6)

· For $\varnothing 8$



*1: F, G, H, I and L dimensions are only for the types with port on the stopper (S*D*).

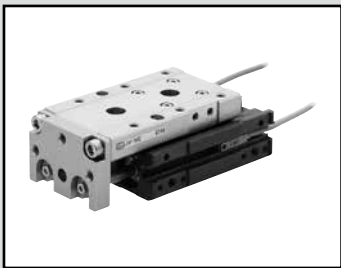
Code	Bore size (mm)	A	B	C			D	E	F	G	H	I	L	M
				Adjustable stroke range										
				5 mm	15 mm	25 mm								
$\varnothing 6$	14	19.5	11	21	-	16	1	25.5	10.5	24	M3 depth 3	M3 depth 3	M8×0.75	
$\varnothing 8$	15.6	24.5	9.5	19.5	-	20.5	0.5	30.5	10.5	27.3	M5 depth 4	M5 depth 4	M8×0.75	
$\varnothing 12$	15.5	29	12	22	32	21	1	33	13	31	M5 depth 4	M5 depth 4	M8×0.75	
$\varnothing 16$	18	37	10	20	30	22	1	34	13	39	M5 depth 4	M5 depth 4	M10×1	
$\varnothing 20$	20.5	45	14.5	24.5	34.5	29	2.5	45.5	19	46	Rc1/8	M5 depth 4	M12×1	
$\varnothing 25$	20.5	57	11.5	21.5	31.5	27.5	2.5	44	19	54.5	Rc1/8	M5 depth 4	M12×1	

LCM
LCR
LCG
LCW
LCX
STM
STG
STS/STL
STR2
UCA2
ULK*
JSK/M2
JSG
JSC3/JSC4
USSD
UFCD
USC
UB
JSB3
LMB
LML
HCM
HCA
LBC
CAC4
UCAC2
CAC-N
UCAC-N
RCS2
RCC2
PCC
SHC
MCP
GLC
MFC
BBS
RRC
GRC
RV3*
NHS
HRL
LN
Hand
Chuk
MecHnd/Chuk
ShkAbs
FJ
FK
SpdContr
Ending

MEMO

LCM
LCR
LCG
LCW
LCX
STM
STG
STS/STL
STR2
UCA2
ULK*
JSK/M2
JSG
JSC3/JSC4
USSD
UFCD
USC
UB
JSB3
LMB
LML
HCM
HCA
LBC
CAC4
UCAC2
CAC-N
UCAC-N
RCS2
RCC2
PCC
SHC
MCP
GLC
MFC
BBS
RRC
GRC
RV3*
NHS
HRL
LN
Hand
Chuk
MechHnd/Chuk
ShkAbs
FJ
FK
SpdContr
Ending

LCM
LCR
 LCG
 LCW
 LCX
 STM
 STG
 STS/STL
 STR2
 UCA2
 ULK*
 JSK/M2
 JSG
 JSC3/JSC4
 USSD
 UFCD
 USC
 UB
 JSB3
 LMB
 LML
 HCM
 HCA
 LBC
 CAC4
 UCAC2
 CAC-N
 UCAC-N
 RCS2
 RCC2
 PCC
 SHC
 MCP
 GLC
 MFC
 BBS
 RRC
 GRC
 RV3*
 NHS
 HRL
 LN
 Hand
 Chuk
 MecHnd/Chuk
 ShkAbs
 FJ
 FK
 SpdContr
 Ending

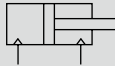


Linear slide cylinder Double acting/fine speed

LCR-F Series

● Bore size: $\phi 12/\phi 16/\phi 20/\phi 25$

JIS symbol



Specifications

Item		LCR-F			
Bore size mm		$\phi 12$	$\phi 16$	$\phi 20$	$\phi 25$
Actuation		Double acting			
Working fluid		Compressed air			
Max. working pressure MPa		0.7 (≈ 100 psi, 7 bar)			
Min. working pressure MPa		0.15 (≈ 22 psi, 1.5 bar)			
Proof pressure MPa		1.05 (≈ 150 psi, 10.5 bar)			
Ambient temperature $^{\circ}\text{C}$		5 (41°F) to 60 (140°F)			
Port size	Main body side	M5		Rc1/8	
	Main body back	M3	M5	Rc1/8	
Stroke tolerance mm		+2.0 0 (*1)			
Working piston speed mm/s		5 to 200 (no load at 0.5 MPa (≈ 73 psi, 5 bar))			
Cushion		With rubber cushion			
Lubrication		Not available			
Allowable absorbed energy J		Refer to Table 2 on page 122.			

*1: Note that there will be a slight gap between the end plate and floating bush if no stopper is attached.
 *2: The stroke adjusting stopper for 0.3 MPa and over working pressure is the metal sealing.

Stroke length

Bore size (mm)	Standard stroke length (mm)
$\phi 12$	10, 20, 30, 40, 50, 75, 100
$\phi 16$	10, 20, 30, 40, 50, 75, 100, 125
$\phi 20$	10, 20, 30, 40, 50, 75, 100, 125, 150
$\phi 25$	10, 20, 30, 40, 50, 75, 100, 125, 150

Note: Products with stroke lengths other than the above are not available.

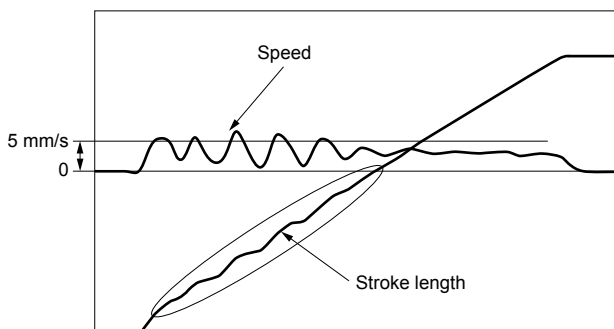
Theoretical thrust table

Refer to page 123.

Low speed performance

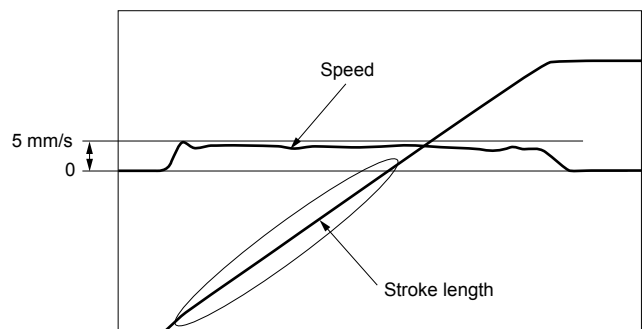
The following data is at no load and supply pressure 0.5 MPa. As the values vary with measurement conditions, etc., they are not guaranteed.

● LCR-12-30



Stick-slip occurs during the stroke when a speed of 5 mm/s is set.

● LCR-F-12-30



With the basic, stick-slip occurs at a speed of 5 mm/s, whereas the fine speed can be stably operated without stick-slip.

Switch specifications

- 1-color/2-color display

Item	Reed 2-wire				Proximity 2-wire		Proximity 3-wire		
	T0H/T0V		T5H/T5V		T2H/T2V	T2WH/T2VW	T3H/T3V	T3PH/T3PV	T3WH/T3VW
Applications	For programmable controller, relay		For programmable controller, relay, IC circuit (without indicator lamp), serial connection		Dedicated for programmable controller		For programmable controller, relay		
Output method	-		-		-		NPN output	PNP output	NPN output
Power supply voltage	-		-		-		10 to 28 VDC		
Load voltage	12/24 VDC	110 VAC	5/12/24 VDC	110 VAC	10 to 30 VDC	24 VDC ±10%	30 VDC or less		
Load current	5 to 50 mA	7 to 20 mA	50 mA or less	20 mA or less	5 to 20 mA		100 mA or less	50 mA or less	
Indicator lamp	LED (Lit when ON)		Without indicator lamp		LED (Lit when ON)	Red/green LED (Lit when ON)	LED (Lit when ON)	Yellow LED (Lit when ON)	Red/green LED (Lit when ON)
Leakage current	0 mA				1 mA or less		10 µA or less		
Weight	g		1 m:18 3 m:49 5 m:80						

Item	Proximity 2-wire		Proximity 3-wire		Proximity 2-wire		Proximity 3-wire		
	F2S		F3S		F2H/F2V	F2YH/F2YV	F3H/F3V	F3PH/F3PV (Made to order)	F3YH/F3YV
Applications	Dedicated for programmable controller		For programmable controller, relay		Dedicated for programmable controller		For programmable controller, relay		
Output method	-		NPN output		-		NPN output	PNP output	NPN output
Power supply voltage	-		10 to 28 VDC		-		10 to 28 VDC	4.5 to 28 VDC	10 to 28 VDC
Load voltage	10 to 30 VDC		30 VDC or less		10 to 30 VDC	24 VDC ±10%	30 VDC or less		
Load current	5 to 20 mA		50 mA or less		5 to 20 mA		100 mA or less	50 mA or less	
Indicator lamp	LED (Lit when ON)				Yellow LED (Lit when ON)	Red/green LED (Lit when ON)	Yellow LED (Lit when ON)		Red/green LED (Lit when ON)
Leakage current	1 mA or less		10 µA or less		1 mA or less		10 µA or less		
Weight	g		1 m:10 3 m:29						

*1 : Refer to Ending Page 1 for detailed switch specifications and dimensions.

*2 : Switches other than the above models, such as switches with connectors, are also available. Refer to Ending Page 1.

*3 : The max. load current is 20 mA at 25°C. The current is lower than 20 mA if the operating ambient temperature around the switch is higher than 25°C. (5 to 10 mA at 60°C)

*4 : The F type switch uses a bend-resistant lead wire.

Cylinder weight

- Fine speed

(Unit: g)

Bore size (mm)	Basic Stroke length (mm)								
	10	20	30	40	50	75	100	125	150
ø12	310	320	320	360	390	520	610	-	-
ø16	490	500	500	550	610	840	970	1,110	-
ø20	900	910	920	1,000	1,090	1,390	1,600	1,810	2,020
ø25	1,620	1,640	1,650	1,760	1,860	2,350	2,620	2,890	3,160

- Additional weight of options

(Unit: g)

Bore size (mm)	Option/stopper code			
	S1 to S4	S5/S6	A1 to A4	A5/A6
ø12	70	100	80	110
ø16	110	150	120	160
ø20	170	250	180	270
ø25	290	380	300	400

Specifications for rechargeable battery

(Catalog No. CC-1226A)

LCR - ... - **P4***

- Design compatible with rechargeable battery manufacturing process.

* Contact CKD for details.

Dimensions

Same as double acting/single rod. Refer to pages 74 to 82.

LCM
LCR
LCG
LCW
LCX
STM
STG
STS/STL
STR2
UCA2
ULK*
JSK/M2
JSG
JSC3/JSC4
USSD
UFCD
USC
UB
JSB3
LMB
LML
HCM
HCA
LBC
CAC4
UCAC2
CAC-N
UCAC-N
RCS2
RCC2
PCC
SHC
MCP
GLC
MFC
BBS
RRC
GRC
RV3*
NHS
HRL
LN
Hand
Chuk
MechHnd/Chuk
ShkAbs
FJ
FK
SpdContr
Ending

LCR-F Series

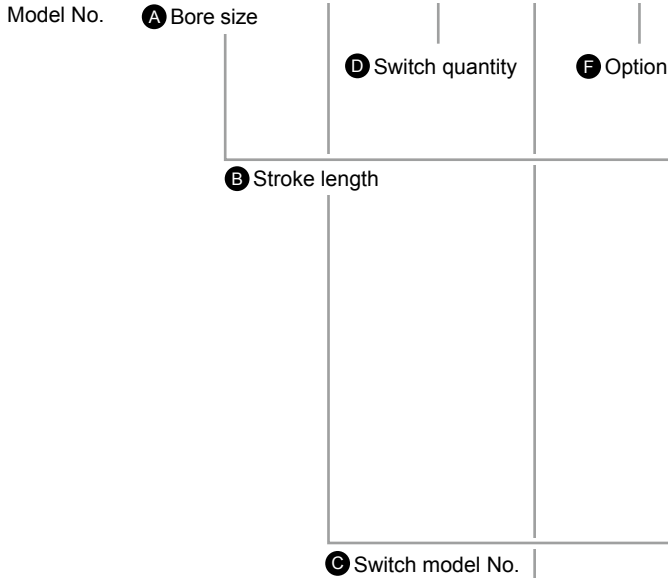
How to order

Without switch (built-in magnet for switch)

LCR-F - 12 - 40 - S506 DTN

With switch (built-in magnet for switch)

LCR-F - 12 - 40 - F2H* - R - S506 DTN



⚠ Precautions for model No. selection

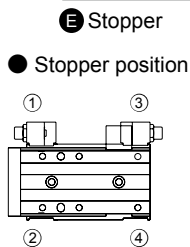
- *1 : For the adjustable stroke range with a shock absorber stopper, refer to the stopper dimensions table on page 82.
- *2 : For the port position, refer to the stopper dimensions on page 82.
- *3 : The port positions of the standard without stopper are ① and ③ in the figure below.
- *4 : Refer to ⑤ stoppers "C*" and "W*" for combination of the stroke adjusting stopper and shock absorber stopper.
- *5 : Can be selected for the type with stopper only.
- *6 : Refer to the selection table on page 117 for combinations of options.
- *7 : A1**, A2**, A5** and A6** of $\phi 12$ to $\phi 25$ with 20 mm stroke length or less are made to order, since adjustment is not possible with the standard stopper.
- *8 : Select when using rear piping.
- *9 : Can be selected only when using stroke adjusting stopper (S) and one side mixed type (C).
- *10 : When two switches are necessary or a switch is installed on the head side of W3 to 6 (two-sided concurrently-used double stopper) of $\phi 12$ with 30 mm stroke length or $\phi 16$ with 30 mm stroke length, select the axial lead wire.
- *11 : Cannot be selected with the two-sided combined (W).
- *12 : The adjustable stroke range with the two-sided combined (W) is $\phi 12$: 14.5 mm, $\phi 16$: 15 mm, $\phi 20$: 13 mm, $\phi 25$: 10 mm.
- *13 : The stroke adjusting stopper for 0.3 MPa and over working pressure is the metal sealing.

[Example of model No.]

LCR-F-12-40-F2H-R-A1DT

Model: Linear slide cylinder Double acting/fine speed LCR-F

- Ⓐ Bore size : $\phi 12$
- Ⓑ Stroke length : 40 mm
- Ⓒ Switch model No. : Proximity/2-wire Axial lead wire
- Ⓓ Switch quantity : 1 on rod side
- Ⓔ Stopper : Shock absorber Stopper position ①
- Ⓕ Option : With side and bottom ports Material, steel (nitriding)



Code	Description
A Bore size	
12	$\phi 12$
16	$\phi 16$
20	$\phi 20$
25	$\phi 25$

B Stroke length (mm)		Bore size (ϕ)			
		12	16	20	25
10	10	●	●	●	●
20	20	●	●	●	●
30	30	●	●	●	●
40	40	●	●	●	●
50	50	●	●	●	●
75	75	●	●	●	●
100	100	●	●	●	●
125	125		●	●	●
150	150			●	●

C Switch model No.		Bore size							
Axial lead wire	Radial lead wire	Contact	Voltage AC DC	Indicator lamp	Lead wire	$\phi 12$	$\phi 16$	$\phi 20$	$\phi 25$
-	F2S*	Proximity	●	1-color display	2-wire				
-	F3S*		●		3-wire				
F2H*	F2V*		●		2-wire	●			
F3H*	F3V*		●		3-wire	●			
F3PH*	F3PV*	Reed	●	1 color display (PNP output) (made to order)	3-wire				
F2YH*	F2YV*		●		2-wire				
F3YH*	F3YV*		●		3-wire				
T0H*	T0V*		●		2-wire	●			
T5H*	T5V*	Proximity	●	no indicator lamp	2-wire				
T2H*	T2V*		●		2-wire				
T3H*	T3V*		●		3-wire				
T3PH*	T3PV*		●		3-wire	●	●	●	
T2WH*	T2WV*	Reed	●	1-color display (PNP output)	2-wire				
T3WH*	T3WV*		●		3-wire				

* Lead wire length		Bore size			
Blank	1 m (standard)	$\phi 12$	$\phi 16$	$\phi 20$	$\phi 25$
3	3 m (option)		●		
5	5 m (option)			●	

D Switch quantity	
R	1 on rod side
H	1 on head side
D	2

E Stopper	
Refer to "Stopper" on page 115.	

F Option	
Blank	Port on the stopper: without port
D	Port on stopper: side and bottom ports *2, *5, *11
Blank	Stopper block material: steel
T	Stopper block material: steel (nitriding) *5
Plug attached	
Blank	None
N	With side piping port plug (not available for $\phi 25$) *8

[E] Stopper

Code	Description	Code	Description
E Stopper			
Blank	No option	C One side hybrid stopper mix (shock absorber stopper, stroke adjusting stopper)	
S Stroke adjusting stopper *4/*7		C1**	A1+S3
S1**	Stopper position ① (can be changed to ④)	C2**	A2+S4
S2**	Stopper position ② (can be changed to ③)	C3**	A3+S1
S3**	Stopper position ③ (can be changed to ②) *14	C4**	A4+S2
S4**	Stopper position ④ (can be changed to ①) *14	** part Adjustable stroke range ● Compatible with all. ▲ Compatible with some. *9	
S5**	Stopper position ①, ③		
S6**	Stopper position ②, ④		
A Shock absorber stopper *1/*4/*7			
A1	Stopper position ① (can be changed to ④)	Blank	5 mm or none
A2	Stopper position ② (can be changed to ③)	02	15 mm or none
A3	Stopper position ③ (can be changed to ②) *14	03	25 mm or none
A4	Stopper position ④ (can be changed to ①) *14	04	15 mm
A5	Stopper position ①, ③	05	25 mm
A6	Stopper position ②, ④	06	5 mm
W Two-sided combined double stopper (shock absorber stopper, metal stopper) *4/*7		07	5 mm
W1	A1 + metal stopper		
W2	A2 + metal stopper		
W3	A3 + metal stopper		
W4	A4 + metal stopper		
W5	A5 + metal stopper		
W6	A6 + metal stopper		

Protruding end	Return end	Stopper model No.			
		S	A	W	C
●	●	●			●
●	●	●			●
●	●	●			●
▲	▲	▲	-	-	-
▲	▲	▲			-
▲	▲	▲			-

*14: When changing the stopper position from the head side to the rod side, the stopper must be purchased separately according to the stroke length and adjustable stroke length. Refer to "Precautions when purchasing discrete stopper" on page 65. A1, A2 and adjustable stroke length of 15 mm and 25 mm may not be available depending on the stroke length.

Stopper model No. selection method

1 Stopper combination table

Model No. - [① Stopper] [② Stopper position] [③] Example) LCR-F-12-40-[S] [5] 06

Stopper position model No. [②]	Stroke adjustable (one side) Shock absorber (one side) Two-sided combined double stopper One side hybrid stopper mix			
	Stopper model No. [①]			
	[S]	[A]	[W]	[C]
[1]	[S1]	[A1]	[W1]	[C1]
[2]	[S2]	[A2]	[W2]	[C2]
[3]	[S3]	[A3]	[W3]	[C3]
[4]	[S4]	[A4]	[W4]	[C4]
[5]	[S5]	[A5]	[W5]	
[6]	[S6]	[A6]	[W6]	

▲ shows the piping direction.

If two-sided combined (W) is selected, the stopper bracket comes with piping on both sides, ▲ (piping direction) and the reverse side stopper bracket comes with a plug.

■ : Shock absorber stopper
 ■ : Stroke adjusting stopper (adjusting range 5 mm)
 ■ : Metal adjusting stopper (adjusting range 15 mm)

LCM
 LCR
 LCG
 LCW
 LCX
 STM
 STG
 STS/STL
 STR2
 UCA2
 ULK*
 JSK/M2
 JSG
 JSC3/JSC4
 USSD
 UFCD
 USC
 UB
 JSB3
 LMB
 LML
 HCM
 HCA
 LBC
 CAC4
 UCAC2
 CAC-N
 UCAC-N
 RCS2
 RCC2
 PCC
 SHC
 MCP
 GLC
 MFC
 BBS
 RRC
 GRC
 RV3*
 NHS
 HRL
 LN
 Hand
 Chuk
 MechHnd/Chuk
 ShkAbs
 FJ
 FK
 SpdContr
 Ending

Stopper model No. selection method

2 Stopper combination table

Model No. - [①②Stopper][③Adjustable stroke range]

Example) LCR-F-12-40-S5 [06]

For stroke adjusting stopper -S

- : Stroke adjusting stopper (adjusting range 5 mm)
- : Stroke adjusting stopper (adjusting range 15 mm)
- : Stroke adjusting stopper (adjusting range 25 mm)

		Stopper adjusting range		Stopper model No. [①②]					
		Protruding end	Return end	[S1]	[S2]	[S3]	[S4]	[S5]	[S6]
Adjustable stroke range model No. [③]	Blank	5 mm or none	5 mm or none						
	[02]	15 mm or none	15 mm or none						
	[03]	25 mm or none	25 mm or none						
	[04]	15 mm	5 mm	/					
	[05]	25 mm	5 mm	/					
	[06]	5 mm	15 mm	/					
	[07]	5 mm	25 mm	/					

▲ shows the piping direction.
Cannot be selected for shock absorber [A] and two-sided combined [W].

3 For one side hybrid stopper mix -C

- : Shock absorber stopper
- : Stroke adjusting stopper (adjusting range 15 mm)
- : Stroke adjusting stopper (adjusting range 5 mm)
- : Stroke adjusting stopper (adjusting range 25 mm)

		Stopper adjusting range		Stopper model No. [①②]			
		Protruding end	Return end	[C1]	[C2]	[C3]	[C4]
Adjustable stroke range model No. [③]	Blank	5 mm or shock absorber	5 mm or shock absorber				
	[02]	15 mm or shock absorber	15 mm or shock absorber				
	[03]	25 mm or shock absorber	25 mm or shock absorber				

▲ shows the piping direction.
For the adjustable stroke range with a shock absorber stopper, refer to the stopper dimensions table on page 82.

LCR Double acting/fine speed selection table

(Combination with stroke adjusting stopper, shock absorber stopper)

● : Available — : Not available

Model No.	Stopper		Stroke adjustable																										
	Stopper code		S1		S2		S3		S4		S5					S6													
	Bore size		Adjustment length code																										
	Bore size	Stroke mm	Blank	02	03	Blank	02	03	Blank	02	03	Blank	02	03	Blank	02	03	04	05	05	07	Blank	02	03	04	05	06	07	
LCR	ø12 to ø25	10	●	—	—	●	—	—	●	●	—	●	●	—	●	—	—	—	—	—	●	—	●	—	—	—	—	—	
		20	●	●	—	●	●	—	●	●	●	●	●	●	●	●	—	●	—	●	●	●	●	●	—	●	—	●	●
		30 or more	●	●	●	●	●	●	●	●	●	●	●	●	●	●	●	●	●	●	●	●	●	●	●	●	●	●	●

Model No.	Stopper		Shock absorber						Two-sided combined double stopper						One side hybrid stopper mix																							
	Stopper code		A1		A2		A3		A4		A5		A6		W1		W2		W3		W4		W5		W6		C1			C2			C3			C4		
	Bore size		Stroke mm		Adjustment length code																																	
	Bore size	Stroke mm	Blank	02	03	Blank	02	03	Blank	02	03	Blank	02	03	Blank	02	03	Blank	02	03	Blank	02	03	Blank	02	03	Blank	02	03	Blank	02	03						
LCR	ø12 to ø25	10	—	—	●	●	—	—	—	—	—	—	—	—	—	—	—	—	—	—	—	—	—	—	—	—	—	—	—	—	—	—						
		20	—	—	●	●	—	—	—	—	—	—	—	—	—	—	—	—	—	—	—	—	—	—	—	—	—	—	—	—	—	—						
		30 or more	●	●	●	●	●	●	●	●	●	●	●	●	●	●	●	●	●	●	●	●	●	●	●	●	●	●	●	●	●	●	●					

The table above also applies to a combination with option code D (with port on the stopper) or T (steel stopper block (nitriding)).

LCM
LCR
LCG
LCW
LCX
STM
STG
STS/STL
STR2
UCA2
ULK*
JSK/M2
JSG
JSC3/JSC4
USSD
UFCD
USC
UB
JSB3
LMB
LML
HCM
HCA
LBC
CAC4
UCAC2
CAC-N
UCAC-N
RCS2
RCC2
PCC
SHC
MCP
GLC
MFC
BBS
RRC
GRC
RV3*
NHS
HRL
LN
Hand
Chuk
MechMod/Chuk
ShkAbs
FJ
FK
SpdContr
Ending

LCM
LCR
 LCG
 LCW
 LCX
 STM
 STG
 STS/STL
 STR2
 UCA2
 ULK*
 JSK/M2
 JSG
 JSC3/JSC4
 USSD
 UFCD
 USC
 UB
 JSB3
 LMB
 LML
 HCM
 HCA
 LBC
 CAC4
 UCAC2
 CAC-N
 UCAC-N
 RCS2
 RCC2
 PCC
 SHC
 MCP
 GLC
 MFC
 BBS
 RRC
 GRC
 RV3*
 NHS
 HRL
 LN
 Hand
 Chuk
 MecHnd/Chuk
 ShkAbs
 FJ
 FK
 SpdContr
 Ending



Linear slide cylinder Double acting/fine speed
 Clean-room specifications

LCR-F-P7* Series

● Bore size: $\varnothing 12/\varnothing 16/\varnothing 20/\varnothing 25$



Specifications

Item		LCR-P7*			
Bore size mm		$\varnothing 12$	$\varnothing 16$	$\varnothing 20$	$\varnothing 25$
Actuation		Double acting			
Working fluid		Compressed air			
Max. working pressure MPa		0.7 (≈ 100 psi, 7 bar)			
Min. working pressure MPa		0.15 (≈ 22 psi, 1.5 bar)			
Proof pressure MPa		1.05 (≈ 150 psi, 10.5 bar)			
Ambient temperature $^{\circ}\text{C}$		5 (41°F) to 60 (140°F)			
Port size	Main body side	M5		Rc1/8	
	Main body back	M3		M5	Rc1/8
Pressure relief port size		M5		Rc1/8	
Stroke tolerance mm		+2.0 0 (*1)			
Working piston speed mm/s		5 to 200 (no load at 0.5 MPa (≈ 73 psi, 5 bar))			
Cushion		With rubber cushion			
Lubrication		Not available			
Allowable absorbed energy J		Refer to Table 2 on page 122.			

*1: Note that there will be a slight gap between the end plate and floating bush if no stopper is attached.

*2: The stroke adjusting stopper for 0.3 MPa and over working pressure is the metal sealing.

Stroke length

Bore size (mm)	Standard stroke length (mm)
$\varnothing 12$	10, 20, 30, 40, 50, 75, 100
$\varnothing 16$	10, 20, 30, 40, 50, 75, 100, 125
$\varnothing 20$	10, 20, 30, 40, 50, 75, 100, 125, 150
$\varnothing 25$	10, 20, 30, 40, 50, 75, 100, 125, 150

Note: Products with stroke lengths other than the above are not available.

Dimensions

Same as double acting/single rod clean-room specifications. Refer to pages 102 to 110.

Theoretical thrust table

Refer to page 123.

Switch specifications

- 1-color/2-color display

Item	Reed 2-wire				Proximity 2-wire		Proximity 3-wire		
	T0H/T0V		T5H/T5V		T2H/T2V	T2WH/ T2WV	T3H/ T3V	T3PH/ T3PV	T3WH/ T3WV
Applications	For programmable controller, relay		For programmable controller, relay, IC circuit (without indicator lamp), serial connection		Dedicated for programmable controller		For programmable controller, relay		
Output method	-		-		-		NPN output	PNP output	NPN output
Power supply voltage	-		-		-		10 to 28 VDC		
Load voltage	12/24 VDC	110 VAC	5/12/24 VDC	110 VAC	10 to 30 VDC	24 VDC ±10%	30 VDC or less		
Load current	5 to 50 mA	7 to 20 mA	50 mA or less	20 mA or less	5 to 20 mA		100 mA or less	50 mA or less	
Indicator lamp	LED (Lit when ON)		Without indicator lamp		LED (Lit when ON)	Red/green LED (Lit when ON)	LED (Lit when ON)	Yellow LED (Lit when ON)	Red/green LED (Lit when ON)
Leakage current	0 mA				1 mA or less		10 µA or less		
Weight	g 1 m:18 3 m:49 5 m:80								

Item	Proximity 2-wire		Proximity 3-wire		Proximity 2-wire		Proximity 3-wire		
	F2S		F3S		F2H/F2V	F2YH/ F2YV	F3H/F3V	F3PH/F3PV (Made to order)	F3YH/ F3YV
Applications	Dedicated for programmable controller		For programmable controller, relay		Dedicated for programmable controller		For programmable controller, relay		
Output method	-		NPN output		-		NPN output	PNP output	NPN output
Power supply voltage	-		10 to 28 VDC		-		10 to 28 VDC	4.5 to 28 VDC	10 to 28 VDC
Load voltage	10 to 30 VDC		30 VDC or less		10 to 30 VDC	24 VDC ±10%	30 VDC or less		
Load current	5 to 20 mA		50 mA or less		5 to 20 mA		50 mA or less		
Indicator lamp	LED (Lit when ON)		LED (Lit when ON)		Yellow LED (Lit when ON)	Red/green LED (Lit when ON)	Yellow LED (Lit when ON)		Red/green LED (Lit when ON)
Leakage current	1 mA or less		10 µA or less		1 mA or less		10 µA or less		
Weight	g 1 m:10 3 m:29								

*1 : Refer to Ending Page 1 for detailed switch specifications and dimensions.

*2 : Switches other than the above models, such as switches with connectors, are also available. Refer to Ending Page 1.

*3 : The max. load current is 20 mA at 25°C. The current is lower than 20 mA if the operating ambient temperature around the switch is higher than 25°C. (5 to 10 mA at 60°C)

*4 : The F type switch uses a bend-resistant lead wire.

Cylinder weight

- Clean-room specifications

(Unit: g)

Bore size (mm)	Fine speed Stroke length (mm)								
	10	20	30	40	50	75	100	125	150
ø12	400	410	410	450	480	610	700	-	-
ø16	620	630	630	680	740	970	1,100	1,240	-
ø20	1,160	1,170	1,180	1,260	1,350	1,650	1,860	2,070	2,280
ø25	2,010	2,030	2,040	2,150	2,250	2,740	3,010	3,280	3,550

- Weight of variation/option (stopper)

(Unit: g)

Bore size (mm)	Option/stopper code	
	S1 to S4	S5/S6
ø12	70	100
ø16	110	150
ø20	170	250
ø25	290	380

- LCM
- LCR**
- LCG
- LCW
- LCX
- STM
- STG
- STS/STL
- STR2
- UCA2
- ULK*
- JSK/M2
- JSG
- JSC3/JSC4
- USSD
- UFCD
- USC
- UB
- JSB3
- LMB
- LML
- HCM
- HCA
- LBC
- CAC4
- UCAC2
- CAC-N
- UCAC-N
- RCS2
- RCC2
- PCC
- SHC
- MCP
- GLC
- MFC
- BBS
- RRC
- GRC
- RV3*
- NHS
- HRL
- LN
- Hand
- Chuk
- MechHnd/Chuk
- ShkAbs
- FJ
- FK
- SpdContr
- Ending

LCR-F-P7* Series

How to order

Without switch (built-in magnet for switch)

LCR-F-12-40-S506-DT-P72

With switch (built-in magnet for switch)

LCR-F-12-40-F2H*-R-S506-DT-P72

Model No.

A Bore size

B Stroke length

C Switch model No.

G Clean-room specifications

D Switch quantity

E Stopper

F Option

⚠ Precautions for model No. selection

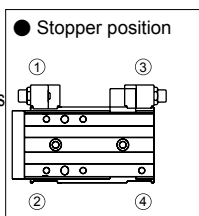
- *1 : For the port position, refer to the stopper dimensions on page 110.
- *2 : The port positions of the standard without stopper are ① and ③ in the figure below.
- *3 : Can be selected for the type with stopper only.
- *4 : Select when using rear piping.
- *5 : The stroke adjusting stopper for 0.3 MPa and over working pressure is the metal sealing.
- *6 : When changing the stopper position from the head side to the rod side, the stopper must be purchased separately according to the stroke length and adjustable stroke length. Refer to "Precautions when purchasing discrete stopper" on page 65. Adjustable stroke lengths of 15 mm and 25 mm may not be possible depending on the stroke length.

[Example of model No.]

LCR-F-12-40-F2H*-R-S1DT-P72

Model: Linear slide cylinder Double acting/fine speed (clean-room specifications) LCR-F-P7*

- A** Bore size : $\phi 12$
- B** Stroke length : 40 mm
- C** Switch model No. : Proximity/2-wire Axial lead wire
- D** Switch quantity : 1 on rod side
- E** Stopper : Stroke adjusting stopper Stopper position ①
- F** Option : Port on the stopper: Side and bottom ports Stopper block material: Steel (nitriding)
- G** Clean-room specifications : Exhaust port



Code	Description
A Bore size	
12	$\phi 12$
16	$\phi 16$
20	$\phi 20$
25	$\phi 25$

		Bore size (ϕ)			
		12	16	20	25
B Stroke length (mm)	10	●	●	●	●
	20	●	●	●	●
	30	●	●	●	●
	40	●	●	●	●
	50	●	●	●	●
	75	●	●	●	●
	100	●	●	●	●
	125		●	●	●
	150			●	●

C Switch model No.							Bore size			
Axial lead wire	Radial lead wire	Contact	Voltage		Indicator lamp	Lead wire	$\phi 12$	$\phi 16$	$\phi 20$	$\phi 25$
			AC	DC						
-	F2S*	Proximity	●	●	1-color display	2-wire	●	●	●	●
-	F3S*		●	●						
F2H*	F2V*	Proximity	●	●	display	2-wire	●	●	●	●
F3H*	F3V*		●	●						
F3PH*	F3PV*	Proximity	●	●	1 color display (PNP output) (made to order)	3-wire	●	●	●	●
F2YH*	F2YV*		●	●						
F3YH*	F3YV*	Proximity	●	●	2-color display	3-wire	●	●	●	●
T0H*	T0V*		●	●						
T5H*	T5V*	Reed	●	●	1-color display	2-wire	●	●	●	●
T2H*	T2V*		●	●						
T3H*	T3V*	Proximity	●	●	1-color display (PNP output)	3-wire	●	●	●	●
T3PH*	T3PV*		●	●						
T2WH*	T2WV*	Proximity	●	●	2-color display	3-wire	●	●	●	●
T3WH*	T3WV*		●	●						

Lead wire length		Bore size			
Blank	1 m (standard)				●
3	3 m (option)				●
5	5 m (option)			●	

D Switch quantity		Bore size			
R	1 on rod side				●
H	1 on head side				●
D	2				●

E Stopper		Bore size			
Blank	No option				●

S Stroke adjusting stopper		Bore size				
5 mm stroke adjustment on one side						
S1**	Stopper position ① (can be changed to ④)	Stopper installation position				●
S2**	Stopper position ② (can be changed to ③)*6					●
S3**	Stopper position ③ (can be changed to ②)*6					●
S4**	Stopper position ④ (can be changed to ①)*6					●
S5**	Stopper position ①,③					●
S6**	Stopper position ②,④					●

** part	Adjustable stroke range	Return end	Compatible with all. ▲ Compatible with some.*3
Blank	5 mm or none	5 mm or none	●
02	15 mm or none	15 mm or none	●
03	25 mm or none	25 mm or none	●
04	15 mm	5 mm	▲
05	25 mm	5 mm	▲
06	5 mm	15 mm	▲
07	5 mm	25 mm	▲

F Option		Bore size			
Blank	Port on the stopper: without port				●
D	Port on the stopper: side and bottom ports				● *1, *3
Blank	Stopper block material: steel				●
T	Stopper block material: steel (nitriding)				● *3

Plug attached		Bore size			
Blank	None				
N	With side piping port plug (not available for $\phi 25$)				*4

G Clean-room specifications		Structure			
P72	Exhaust port				
P73	Vacuum treatment				

Stopper model No. selection method

Stopper combination table

Model No. - [①②Stopper] [③ Adjustable stroke range]

Example) LCR-F-12-40- [S5] [06]-P7*

For stroke adjusting stopper -S

- LCM
- LCR
- LCG
- LCW
- LCX
- STM
- STG
- STS/STL
- STR2
- UCA2
- ULK*
- JSK/M2
- JSG
- JSC3/JSC4
- USSD
- UFCD
- USC
- UB
- JSB3
- LMB
- LML
- HCM
- HCA
- LBC
- CAC4
- UCAC2
- CAC-N
- UCAC-N
- RCS2
- RCC2
- PCC
- SHC
- MCP
- GLC
- MFC
- BBS
- RRC
- GRC
- RV3*
- NHS
- HRL
- LN
- Hand
- Chuk
- MechHnd/Chuk
- ShkAbs
- FJ
- FK
- SpdContr
- Ending

	Stopper adjusting range		Stopper model No. [①②]					
	Protruding end	Return end	[S1]	[S2]	[S3]	[S4]	[S5]	[S6]
	Blank	5 mm or none	5 mm or none					
[02]	15 mm or none	15 mm or none						
[03]	25 mm or none	25 mm or none						
[04]	15 mm	5 mm						
[05]	25 mm	5 mm						
[06]	5 mm	15 mm						
[07]	5 mm	25 mm						

- : Stroke adjusting stopper (adjusting range 5 mm)
- : Stroke adjusting stopper (adjusting range 15 mm)
- : Stroke adjusting stopper (adjusting range 25 mm)

▲ shows the piping direction.

Selection table

●: Available —: Not available

Bore size (mm)	Stopper code	Adjustment length code																																									
		S1							S2							S3							S4							S5							S6						
		Blank	02	03	Blank	02	03	Blank	02	03	Blank	02	03	Blank	02	03	Blank	02	03	04	05	06	07	Blank	02	03	04	05	06	07													
ø12 to ø25	10st	●	—	—	●	—	—	●	●	—	●	●	—	●	—	—	—	—	—	●	—	●	—	—	—	—	—	●	—														
	20st	●	●	—	●	●	—	●	●	●	●	●	●	●	●	●	—	●	—	●	●	●	●	—	●	—	●	—	●														
	30st up	●	●	●	●	●	●	●	●	●	●	●	●	●	●	●	●	●	●	●	●	●	●	●	●	●	●	●	●														